

## HA0238

### Corner Brace Guides 92" GlidePole – 3K-7K Lifts\_2 Pack



#### **Application**

HA0238 fits 4K-7K lb. lifts. The GlidePole Brace Load Guides are designed to provide boat protection when entering the lift and added stability. They are mounted on the lower frame and legs of the lift. Other GlidePoles or GlideRails can be used in conjunction to create total front-to-back guide-on assistance that centers the boat and prevents damage. **Installing these loadguides will reduce the maximum boat width by 3-1/8 inches.**

#### **Tools**

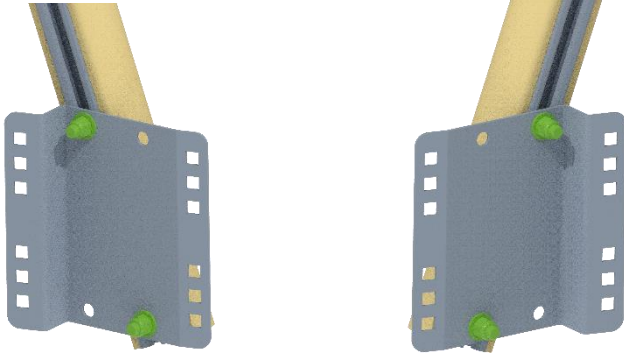
¾ Socket, ¾ wrench, 9/16 socket, 9/16 wrench

#### **Organize Parts**

Open the hardware box and bag, and sort the hardware and other contents by size.

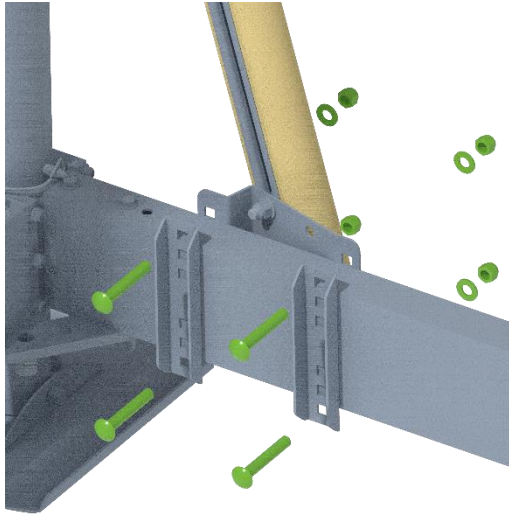
## **1 – Bolt Plates to GlidePole Braces**

Slide two ½-13 x 1-1/2 bolts into the T-slot at the bottom of a GlidePole brace and attach the aluminum plates as shown below (one right and one left). Tighten the lock nuts.



## **2 – Bolt to Lower Frame**

Use the ½-13 x 3-1/2 bolts and brackets shown to attach the GlidePole braces to the lower frame. Add the washers and hand tighten the lock nuts (Do this on both sides).



## **3 – Attach to Leg Frame**

Insert a ½-13 x 1-1/2 bolt into the access hole, attach the bracket shown with a washer, and hand tighten a lock nut. Adjust the bracket to desired height and the lower frame bracket as needed. Then, use the U-bolt and clamp block to attach the bracket to the leg frame. Tighten all nuts and lock nuts (do this on both sides).

