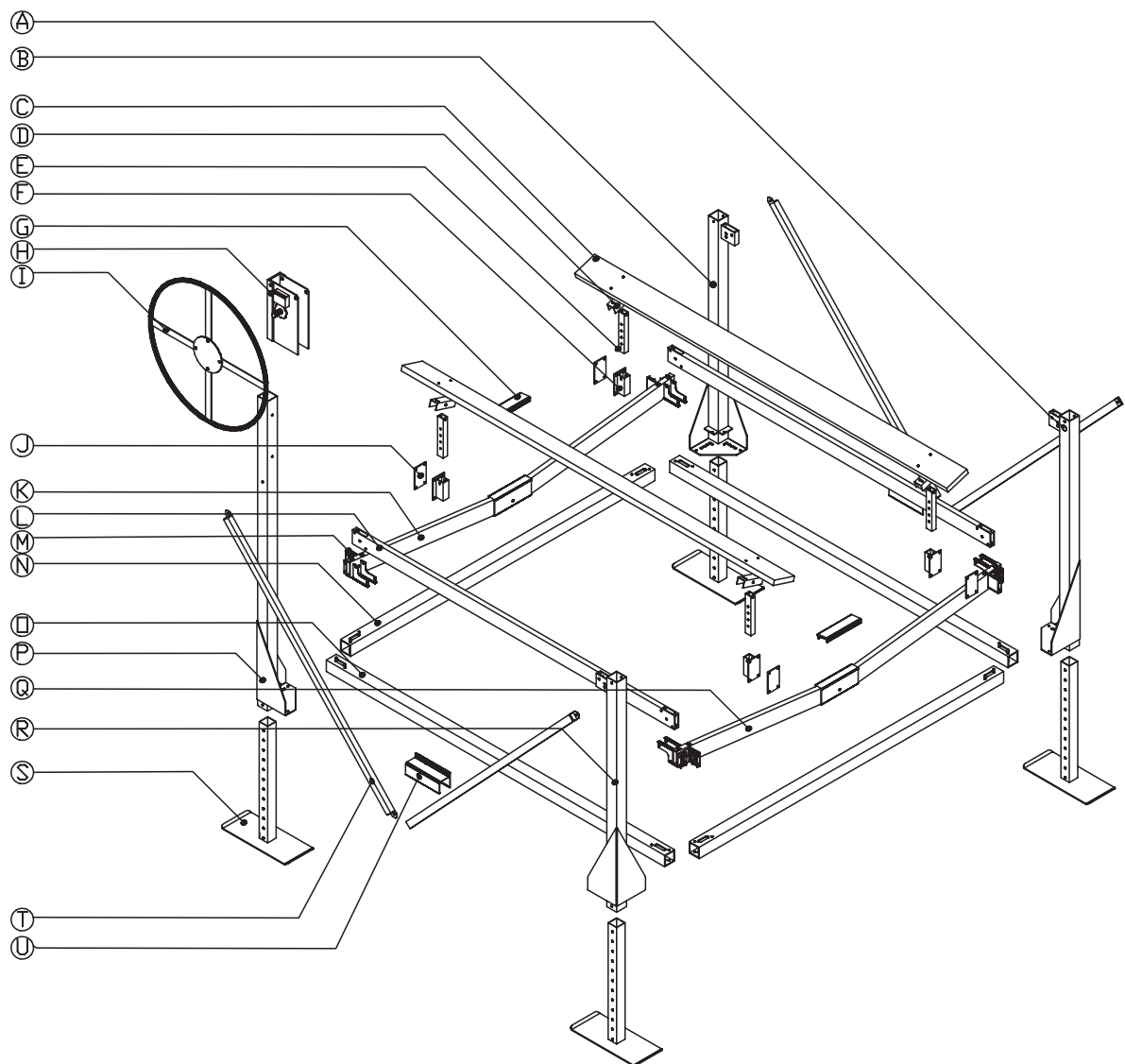


LSV30/40B

BOLT LIST BPV30B

PART NO.	PART NAME	QTY.	PART NO.	PART NAME	QTY.
20848	STEP 1		Y508	1/2" x 2" Hex Bolt	2
Y418	3/8" x 4 1/2" Hex Bolt	16	Y551	1/2" Hex lock nut	2
Y451	3/8" Hex lock nut	16	SHACKLE	3/8" shackle	2
Y452	3/8" Flat Washer	16	20851	STEP 4	
CP1	3/8 x 4" bent clevis pin	4	Y410	3/8" x 2 1/2" Hex Bolt	4
HPC	1/8" hairpin cotter	4	Y451	3/8" Hex lock nut	4
20849	STEP 2		Y508	1/2" x 2" Hex Bolt	2
Y420	3/8" x 5" Hex Bolt	2	Y551	1/2" Hex lock nut	2
Y451	3/8" Hex lock nut	2	SHACKLE	3/8" shackle	2
Y508	1/2" x 2" Hex Bolt	1	20852	STEP 5	
Y551	1/2" Hex lock nut	1	Y410	3/8" x 2 1/2" Hex Bolt	16
Y552	large aluminum washer	2	Y451	3/8" Hex lock nut	16
20850	STEP 3		CP	3/8 x 2 1/2" clevis pin	4
Y410	3/8" x 2 1/2" Hex Bolt	4	HPC	1/8" hairpin cotter	4
Y451	3/8" Hex lock nut	4			



LSV30/40B Vertical Lift, 3000/4000 lbs. Load Cap., 108"/120" Beam Width, 54" Lift Height

PARTS LIST LSV30108B

REF.	PART NO.	PART NAME	QTY.
A	20834	Mainframe Post #3	1
B	20833	Mainframe Post #2	1
C	BUNK4000B	Bunk Assembly	2
D	BU07	Bunk Channel	4
E	BDL12	Bunk Down Leg	4
F	20676	Bunk Socket	4
G	20855	Cradle Cover	2
H	W4	4000 lb. Winch	1
I	LS2005B/20886	41" Wheel/Shaft Adapter	1/1
J	20678	Bunk Socket Plate	4
K	20838F	Cradle Front	1
L	20839	Cradle Spreader	2
M	20862	Cradle Roller Kit	4
N	20836	Mainframe Spreader 108"	2
O	20837	Mainframe Spreader 120"	2
P	20832	Mainframe Post #1	1
Q	20838R	Cradle Rear	1
R	20833	Mainframe Post #4	1
S	20835	Leg Weld Assembly 36"	4

PARTS LIST LSV30120B *same as LSV30108B except replace with the following:*

REF.	PART NO.	PART NAME	QTY.
K	20861F	Cradle Front	1
N	20837	Mainframe Spreader 120"	2
Q	20861R	Cradle Rear	1

PARTS LIST LSV40108/120B *same as LSV30108/120B with the addition of:*

REF.	PART NO.	PART NAME	QTY.
T	20840	Diagonal Brace	4
U	20860	Diagonal Bracket	2
	20863	Bolt Package for Diagonal	1

REPLACEMENT PARTS LIST *Cables, Sheaves, Caps*

PART NO.	PART NAME	QTY.
20856	Cable Front 108B I 5/16" X 258" galv	1
20858	Cable Front 120B K 5/16" X 292" galv	1
20857	Cable Side 108/120B, Rear 108B J 5/16" X 180.5" SS	4/2
20859	Cable Rear 120B L 5/16" X 193.75" SS	2
20532B	Pulley Sheave 3.75" Brass Kit Single Front/Side	6
20531B	Pulley Sheave 3.5" Steel Kit Double Rear	2
20889	Cradle Roller Kit B	16
CAPS3535	Cap Black Plastisol 3.5" x 3.5"	4