

LAKESHORE PRODUCTS

Quincy • MI • 49082 • tel 517.639.3815

LSV20100A 2000# Vertical Lift

# Instruction Manual

**Read carefully.**  
**Failure to follow the instructions and safety rules could result in severe injury or death !**

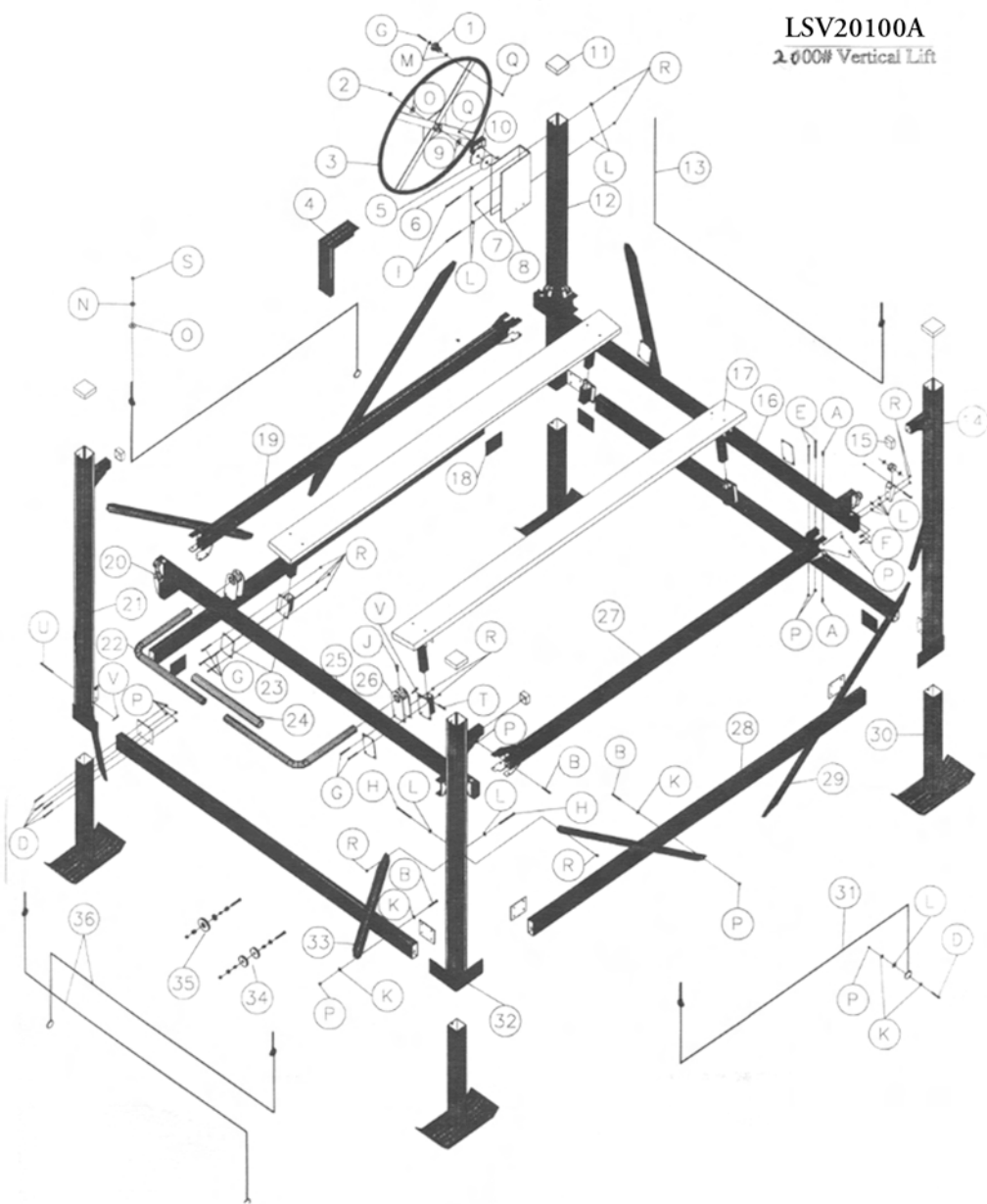
LS1501A  
LS1502A  
LS1503  
LS1504  
LS1505A  
LS2005

# LSV20100A Parts List

Ref.	Part No.	Part Name	Qty
1	KNOB	Spinner Knob	1
2	Y756	5/8 Jam Nut	1
3	41W	41" Wheel	1
4	WC2	Small Winch Cover	1
5	WLS	Winch Locking Sprocket	1
6	WINCHBP1	Winch Brake Pad	1
7	20039	Winch Wedge	1
8	W2	Small Winch (#2)	1
9	W952	Bronze Thrust Washer	1
10	WSC	Small Winch Sprocket Cover	1
11	DEM33	3 x 3 Plastisol Cap	4
12	20179	Mainframe Post #1	1
13	20196	Front Cable	1
14	20180	Mainframe Post #2	1
15	DEM12	1-1/2 x 2 Plastisol Cap	3
16	20201	Front Cradle Assembly	1
17	BUNK1500	Carpeted Wood Bunk Ass'y	2
18	20190	Mainframe Backer Plate	8
19	20197	Cradle Spreader Tube-Left	1
20	CRA	Cradle Roller Assembly	8
21	20182	Mainframe Post #4	1
22	MSTUBE	Motor Stop L Tube	2
23	20222	Bunk Post Socket Ass'y	4
24	MSPVC	Motor Stop PVC Tube	1
25	20202	Rear Cradle Assembly	4
26	20236	Motor Stop Bracket	2
27	20198	Cradle Spreader Tube-Right	1
28	20191	Mainframe Spreader Tube	4
29	20193	Side Angle Brace - - 56"	4
30	20208	Leg	4
31	20195	Side Cable	2
32	20181	Mainframe Post #3	1
33	20192	F/R Angle Brace - - 40"	4
34	15DP	Double Pulley Assembly	2
35	15SP	Single Pulley Assembly	6
36	20194	Rear Cable	2

LAKESHORE PRODUCTS, INC.  
855 CHICAGO ROAD • QUINCY, MICHIGAN 49082 • TEL. (517) 838-3815 • FAX (517) 838-6578

**LSV20100A**  
2,000# Vertical Lift



Lakeshore Products, Inc. 2000#, 100" Beam Vertical Lift

Thank you for purchasing a Lakeshore Vertical Lift. With proper care and maintenance, this lift will provide you with years of trouble free service. Please follow these instructions carefully.

Accessory Package List:

- (1) bolt package
- (4) 3 x 3 red plastisol caps
- (3) 1-1/2 x 4-1/2 red plastisol caps
- (1) chain-driven, aluminum winch
- (4) bunk socket
- (4) bunk socket plates 4 x 6-1/2"
- (8) mainframe plates 4-1/2 x 3-1/2"
- (8) 2" white, round cradle rollers

Fasteners List:

- (8) 5/16 x 3/4 Hex Bolts
- (24) 5/16 x 2-1/2 Hex Bolts
- (2) 5/16 x 3 Hex Bolts
- (8) 5/16 x 5-1/2 Hex Bolts
- (8) 3/8 x 2 Hex Bolts
- (16) 3/8 x 2-1/2 Hex Bolts
- (8) 3/8 x 3-3/4 Hex Bolts
- (2) 3/8 x 4-1/2 Hex Bolts
- (5) 1/2 x 2-1/2 Hex Bolts
- (42) 5/16 Hex Lock Nuts
- (34) 3/8 Hex Lock Nuts
- (5) 1/2 Hex Lock Nuts
- (14) 5/16 Flat Washers
- (16) 3/8 Flat Washers
- (8) 1/8 Hairpin Cotter
- (4) 3/8 x 3-1/2 Clevis Pin
- (4) 3/8 x 2-1/2 Clevis Pin

You will require the following tools:

- (2) 1/2 wrenches
- (2) 9/16 wrenches
- (1) 15/16 or adjustable wrench
- a tape measure
- a step ladder
- grease

**CAUTION**

Do not over tighten the nuts and bolts on your lift. Doing so may cause the lift to fail. When tightening against a tube, tighten until the aluminum just dimples. Lock nuts should be tightened until at least one thread of the bolt is showing through the nut. If you crush the tube, it may crack and fail under normal use.

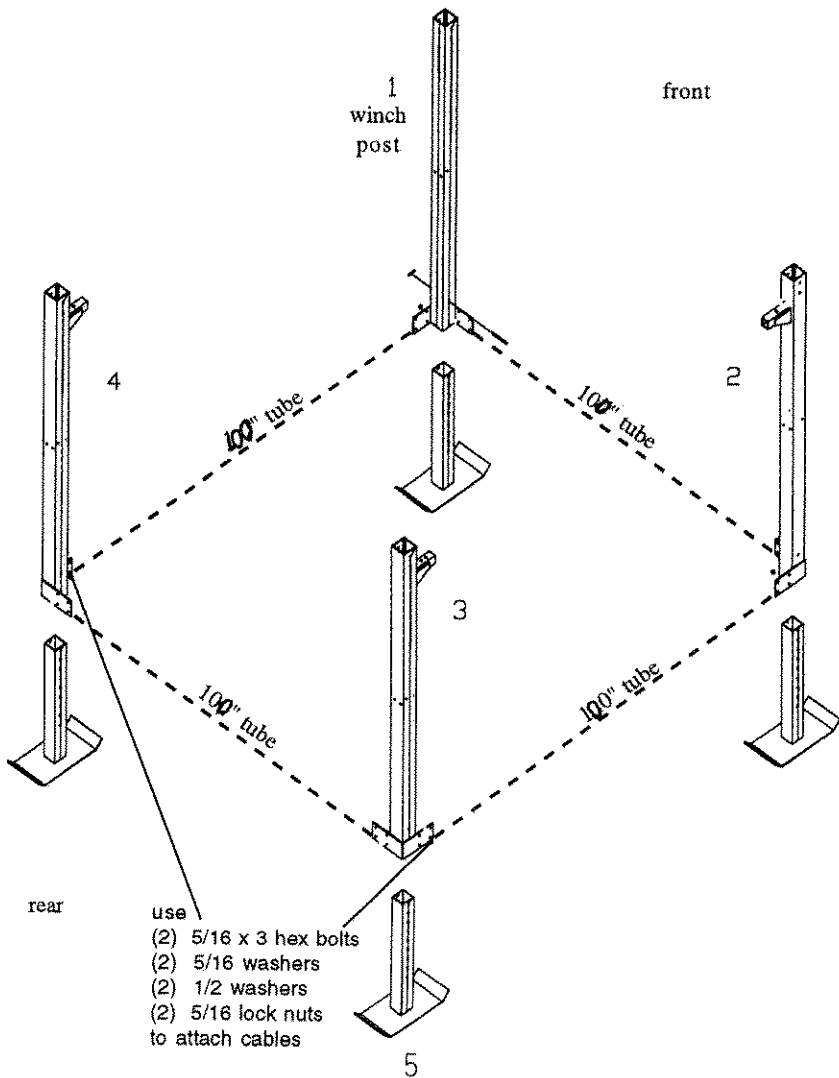
Do not tighten any bolts until instructed to do so.

1) Legs to Mainframes Insert the legs into the posts using:

- (4) 3/8 x 3-1/2 clevis pins
- (4) hairpin cotters

2) Mainframe Spreaders Bolt the mainframe spreader tubes between the posts using:

- (14) 5/16 x 2-1/2 hex bolts
- (14) 5/16 lock nuts
- (8) mainframe plates

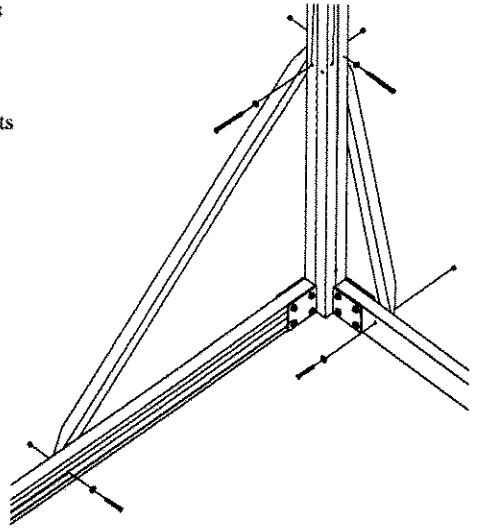
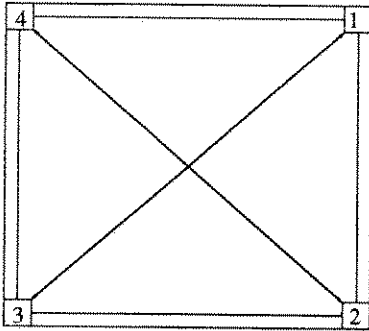


3) **Angle Braces** Attach the long angle braces to the sides of the lift and the short angle braces to the front and rear of the lift. At the tops of the braces, use:

- (8) 3/8 x 3-3/4 hex bolts
- (8) 3/8 washers
- (8) 3/8 lock nuts

At the bottoms of the braces, use:

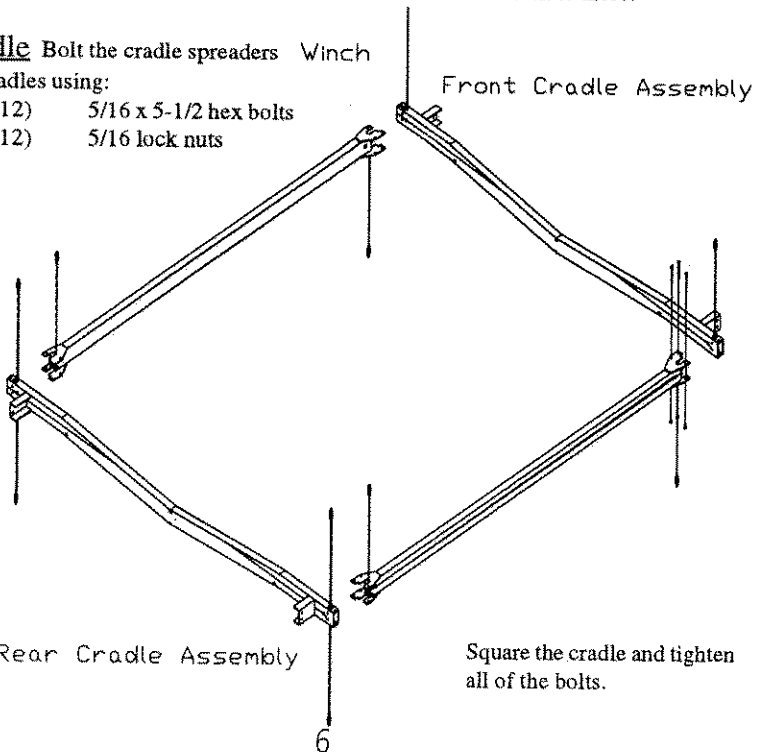
- (8) 5/16 x 2-1/2 hex bolts
- (8) 5/16 washers
- (8) 5.16 lock nuts



Square the mainframe by measuring its diagonals. The diagonals must be equal. If they are not, adjust the mainframe until they are. Once this is accomplished, tighten all of the bolts except the 5/16 x 3 hex bolts. The cables in the rear cradle will attach to these.

4) **Cradle** Bolt the cradle spreaders Winch onto the cradles using:

- (12) 5/16 x 5-1/2 hex bolts
- (12) 5/16 lock nuts

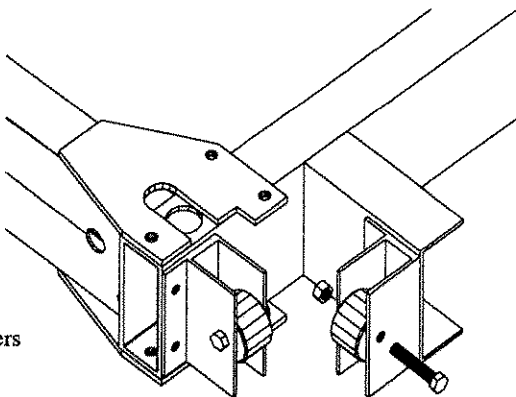


5) **Rollers** Install (8) cradle rollers using:

- (8) 3/8 x 2 hex bolts
- (8) 3/8 lock nuts

6) **Winch** With a ladder, attach the winch using:

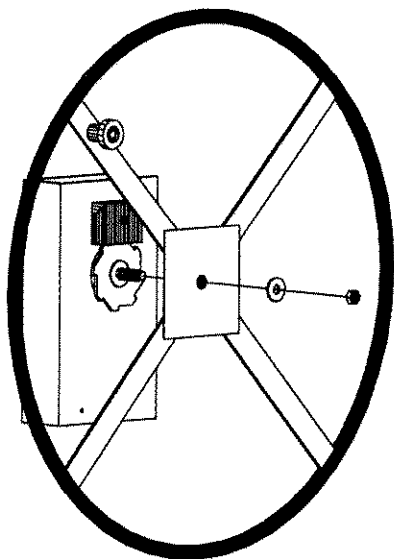
- (2) 3/8 x 4-1/2 hex bolts
- (4) 3/8 washers
- (2) large aluminum washers
- (2) 3/8 lock nuts



One washer belongs under the head of each bolt.

The aluminum washer and the other washer go under the nut on the outside of the lift.

Make certain that the large drum inside the winch is on the bottom of the winch.



Tighten these bolts.

Carefully thread the wheel onto the winch shaft and then place the washer and jam nut onto the winch shaft. Tighten the jam nut until the threads of the shaft just show through. Further tightening may keep the winch from working properly.

7) **Cable Attachment** Find the loops that hang out the bottom of the rear cradle. These attach to the two bolts that you left loose on the mainframe. Put the cable loop against the backer plate, followed by the 3/8 washer, the 5/16 washer, and then the 5/16 lock nut.

Find the loops that hang out the front end of the cradle.

These attach using:

- (2) 5/16 x 2-1/2 hex bolts
- (4) 5/16 washers
- (2) 3/8 washers
- (2) 5/16 lock nuts

through the remaining free bottom hole in the mainframe spreader tube.

Find the loops that come out of the top of the cradle. These are raised through the tubes that are welded to the posts and held in place using:

- (5) 1/2 x 2-1/2 hex bolts
- (5) 1/2 lock nuts

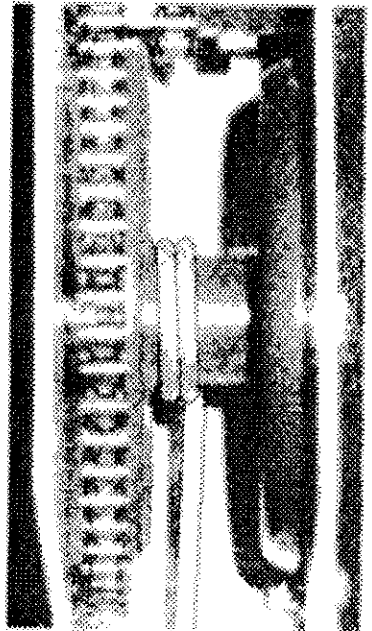
The loops that come out of the bent cradle tubes fasten closest to the post.

The two cables closest to posts #3 and #4 will be loose. These are leveling cables and will cause the lift to work improperly if they are tight. Do not be concerned by their looseness.

Tighten all nine of these bolts.

Find the one remaining loose end of cable and grease the last two feet of it. Find the wedge taped to the winch. Wrap the cable around the winch drum clockwise from the outside of the lift, and insert the end through the small end of the welded channel on the inside of the drum. Make a loop and push the end back through the welded channel. Insert the steel wedge into the center of the loop you just made with the cable and pull the cable tight.

Wrapping the cable evenly will help prolong its life.





### Check your Lift

Raise and lower the cradle several times while looking for any problems. Now is a much better time to fix these than after the lift is in the water. Here are some general guidelines:

- The cradle should move smoothly up and down.
- All cables should ride in pulleys.
- No two cables should cross outside of a tube.
- No cable should ride directly on a tube.

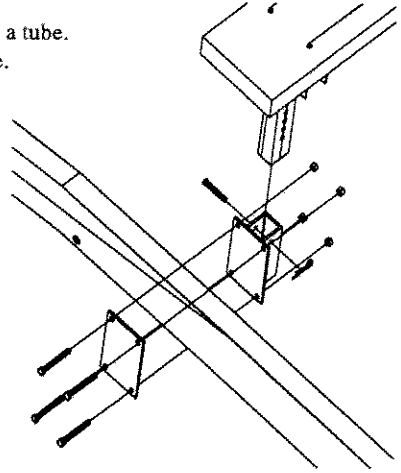
8) **Bunks** Attach the Bunk Sockets directly to the Front and Rear Cradle Assemblies using the Bunk Plates and

- (16) 3/8 x 2-1/2 hex bolts
- (16) 3/8 hex lock nuts

The Sockets should be on the outside of the cradle. Do not tighten these now as they will need to be adjusted to fit your boat.

23) Slide the Carpeted Wood Bunks down into these sockets and fasten in place with:

- (4) 3/8 x 2-1/2 clevis pins
- (4) hairpin cotters



### Final Touches

Place the Winch Cover on the winch.

Place the 3 1/2 x 3 1/2 Red Plastisol Caps on the tops of the Posts

Place the 1-1/2 x 4-1/2 Red Plastisol Caps on the welded stubs that the cables bolt to.

### Water Positioning

Move the lift to where it is to be used.

Adjust the leg height so that the lift is level. Do this by removing the clevis pin of the lowest leg, lifting that corner of the lift to level and replacing the clevis pin. Don't forget the hairpin cotter.

Adjust the positions of the Carpeted Wood Bunks to fit your boat.

### **IMPORTANT**

Occasionally check the cables for fraying and make certain that all cables are riding properly. This will guarantee years of trouble-free operation.

When transporting the lift assembled, tie the cradle unit to the lower mainframe and use the winch to put tension on the cables. Once you've reached your destination, check that all of the cables are still riding in their pulleys.

At the beginning of each season, you should check your lift before entrusting your boat to it:

- Check that your winch turns easily without any weight on it.
- Check that the braking mechanism works with weight on the lift.
- Check your cables for fraying.
- Check that your pulleys turn freely.
- Check that the cables are riding in pulleys and not against aluminum.

# LAKE SHORE PRODUCTS, INC

## Your waterfront specialist!

We offer a complete line of Quality accessories  
for your 2000# Vertical Lift.

Canopies  
Walk-On Side Guides  
Electric Power Assist  
Front Bow Stop  
Adjustable Leg Extensions

Ask your dealer for details.

# Lakeshore Products, Inc.



## Ten/Two Year Limited Warranty

Lakeshore Products, Inc. (Seller) warrants the aluminum structure on docks and lifts of its manufacture to be free from defects caused by faulty material or poor workmanship. Seller will, at its option, repair or replace any such goods found on examination by Seller, to be defective under normal use and service within ten years from date of purchase. Upon discovery of any such defect, Buyer must notify Seller in writing of defect and provide proof of purchase. Seller warrants cast aluminum parts, mechanical components, and hardware for two years.

Seller shall not be held responsible for repairs or modifications to its docks or lifts unless authorization has been obtained from Seller. This warranty does not cover damage caused by incorrect assembly or adjustments, overloading, improper use, neglected maintenance, alterations, or damage caused by accident, ice, salt water, or acts of God.

Components obtained from other manufacturers and used in Seller's products will be covered under the manufacturer's warranty and shall not be the responsibility of the Seller.

Seller's responsibility under this warranty shall be the repair or replacement of defective items. Seller is not liable for incidental or consequential damages of any kind.

---

855 Chicago Rd • Quincy, Michigan 49082 • (517) 639-3815 • Fax (517) 639-4576

***Lakeshore Products, Inc.*** 

"Your Waterfront Specialists"

855 Chicago Road • Quincy, Michigan 49082  
(517) 639-3815 • Fax: (517)639-4576