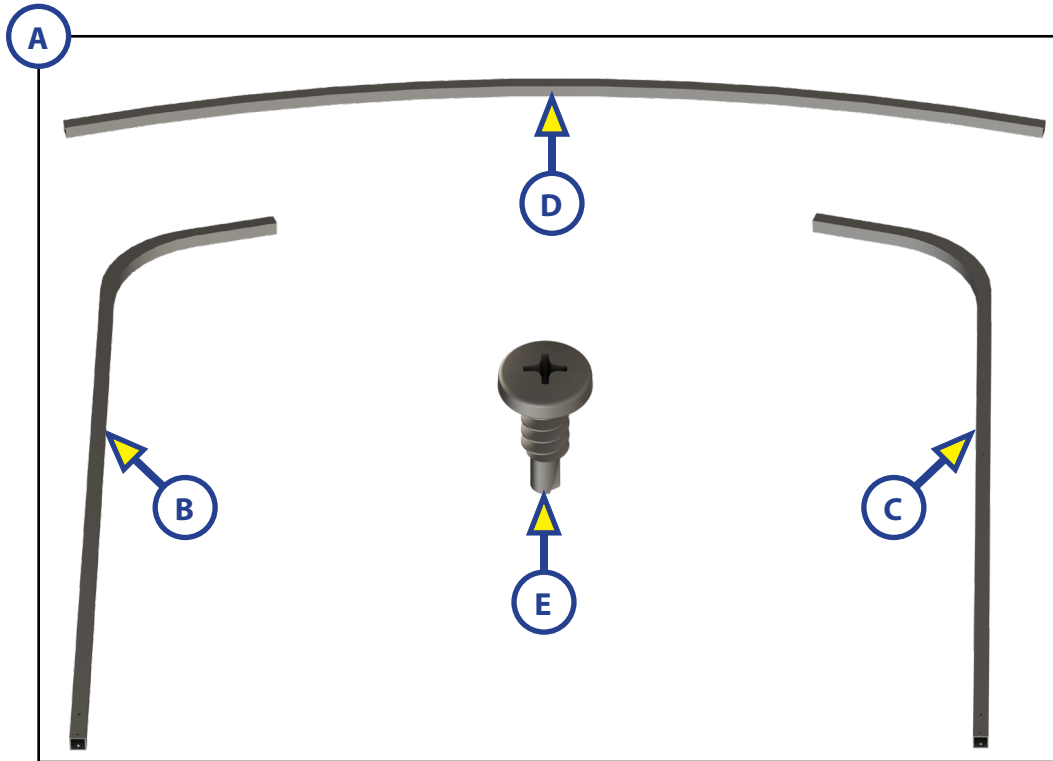
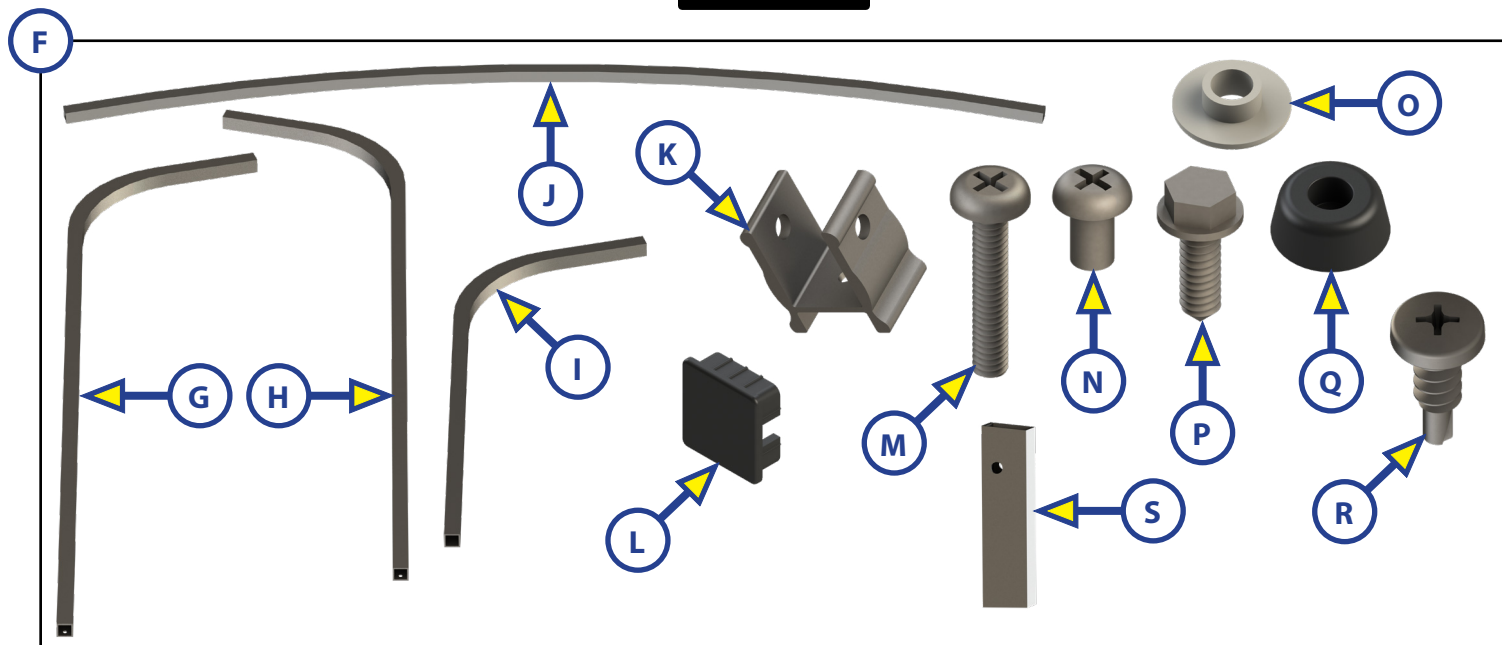


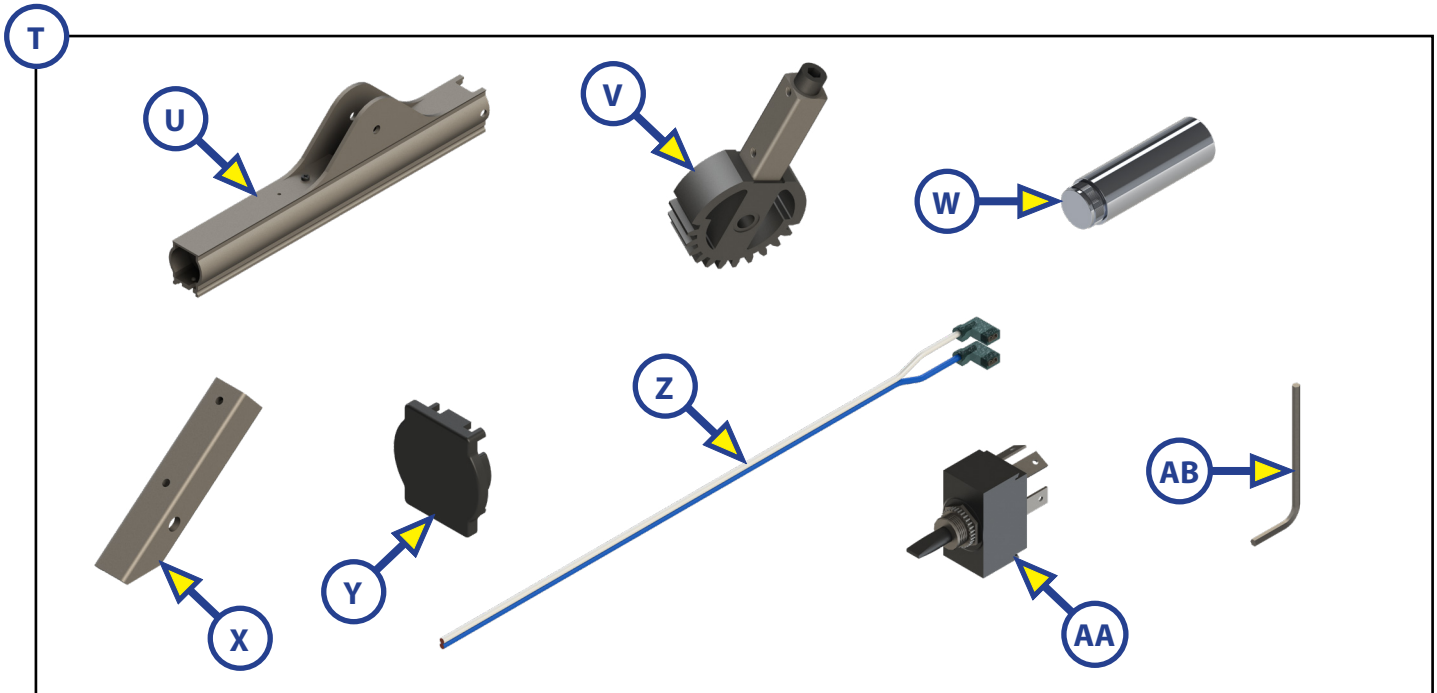
Note: Part numbers are shown for identification purposes only. Not all parts are available for individual sale. All parts with a link to the Lippert Store can be purchased.



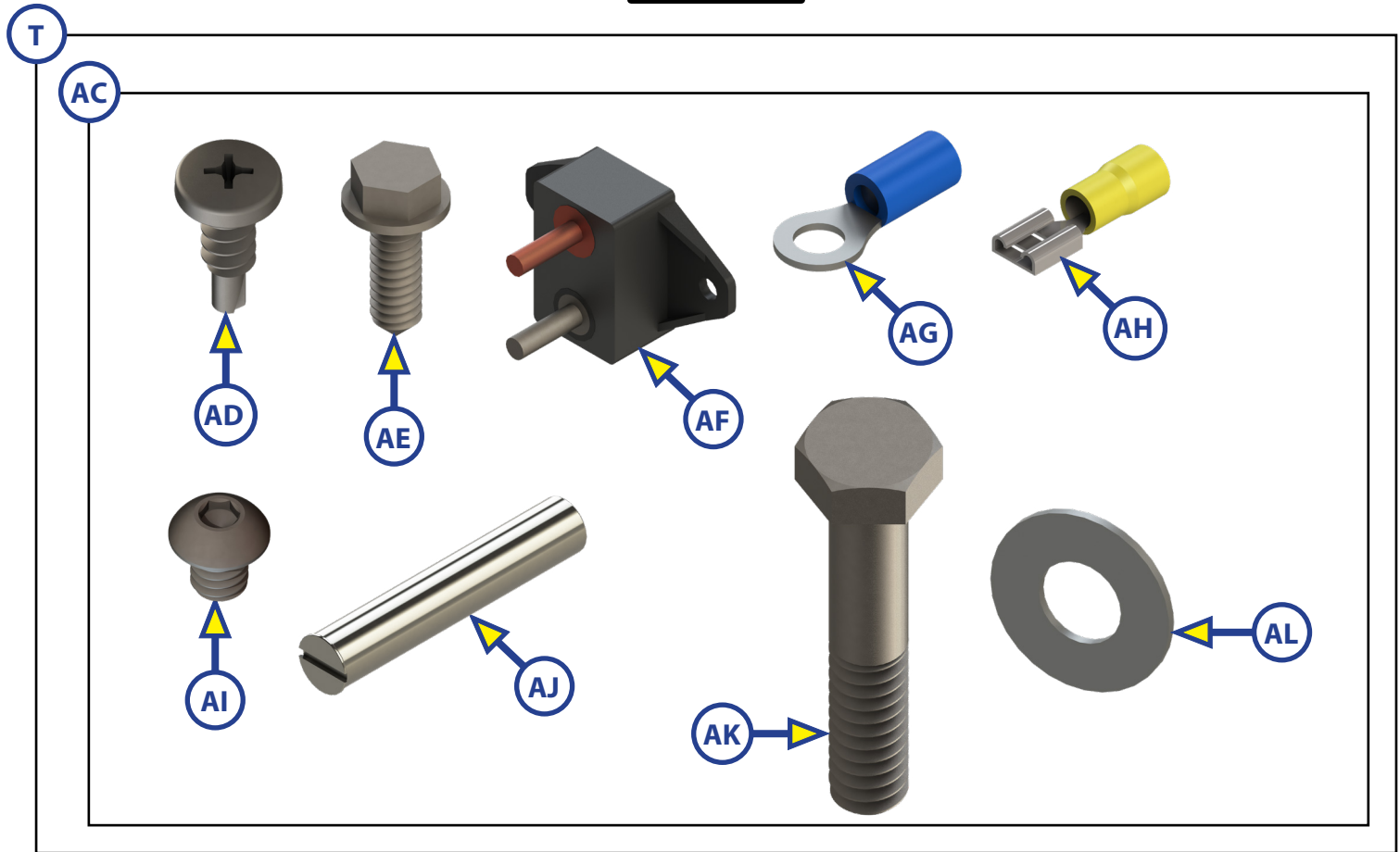
Callout	Part #	Description
A	859602	Front Frame Assembly (Silver)
	859605	Front Frame Assembly (Black)
B	2020109554	Front Strut LH (Silver)
	2020109520	Front Strut LH (Black)
C	2020109575	Front Strut RH (Silver)
	2020109521	Front Strut RH (Black)
D	2020109694	Connecting Strut (Silver)
	20201019525	Connecting Strut (Black)
E	853955	Screw, #8 - 18 x 1/2" PHHD PNHD SLFDR



Callout	Part #	Description
F	859603	Rear Frame Assembly (Silver)
	859606	Rear Frame Assembly (Black)
G	2020109569	Rear Strut LH (Silver)
	2020109522	Rear Strut LH (Black)
H	2020109582	Rear Strut RH (Silver)
	2020109523	Rear Strut RH (Black)
I	2020109597	Middle Strut (Silver)
	2020109524	Middle Strut (Black)
J	2020109694	Connecting Strut (Silver)
	2020109525	Connecting Strut (Black)
K	854136	H-Bracket, 1.25" x 1.49" (Stainless Anodized)
	854135	H-Bracket, 1.25" x 1.49" (Black Anodized)
	2020107491	H-Bracket, 1.25" x 1.49" (Flex Starlight Black)
	2020109803	H-Bracket, 1.25" x 1.49" (Starlight Charcoal)
L	853966	End Cap
M	853949	Shoulder Bolt, 1/4" - 20 x 1 1/2"
N	853950	Barrel Nut with Loctite®, 1/4" - 20 x 1/2"
O	853970	Pivot Bushing (H-Bracket), 5/16"
P	853954	Screw, #14 x 3/4" HWHD SLFDR
Q	853971	Rubber Bumper, 7/8" O.D. x 3/8"
R	853955	Screw, #8 x 1/2" RDHD SLFDR
S	853446	Standoff (Silver Anodized)
	853445	Standoff (Black Anodized)



Callout	Part #	Description
T	861675	Actuator 01 Aftermarket (Silver)
	861676	Actuator 10 Aftermarket (Black)
U	857974	Actuator (Silver)
	857975	Actuator (Black)
V	2020001939	Gear Assembly
W	853789	Gear Pin
X	854132	Rear Handle
Y	853972	End Cap, Actuator
Z	854073	Wire Harness, 3/16", 14-16 AWG, Blue/White
AA	853999	Toggle Switch, DPDT Momentary
AB	2020102608	Hex Wrench, 5/32"



Callout	Part #	Description
AC	858080	Hardware Subassembly
AD	853953	Screw, 1/4-10 X 3/4 RHD PSV PH SLFDR
AE	853954	Screw, 1/4-14 X 3/4 HWHD PSV Hex SLFDR
AF	853997	Shortstop Breaker, 6 Amp, 12V-A14-06A
AG	853986	Stud Ring Terminal, #10, 14-16 AWG, Blue, Insulated
AH	853987	Spade Terminal, 1/4", 10-12 AWG, Yellow, Insulated
AI	853943	Screw, #10 - 32 x 1/4" TRH PSV PH FT
AJ	853787	Pivot Pin, 0.400" x 2.070"
AK	853951	Screw, 5/16" - 18 x 1 3/4" HHCS Hex
AL	853952	Washer, 5/16" Flat