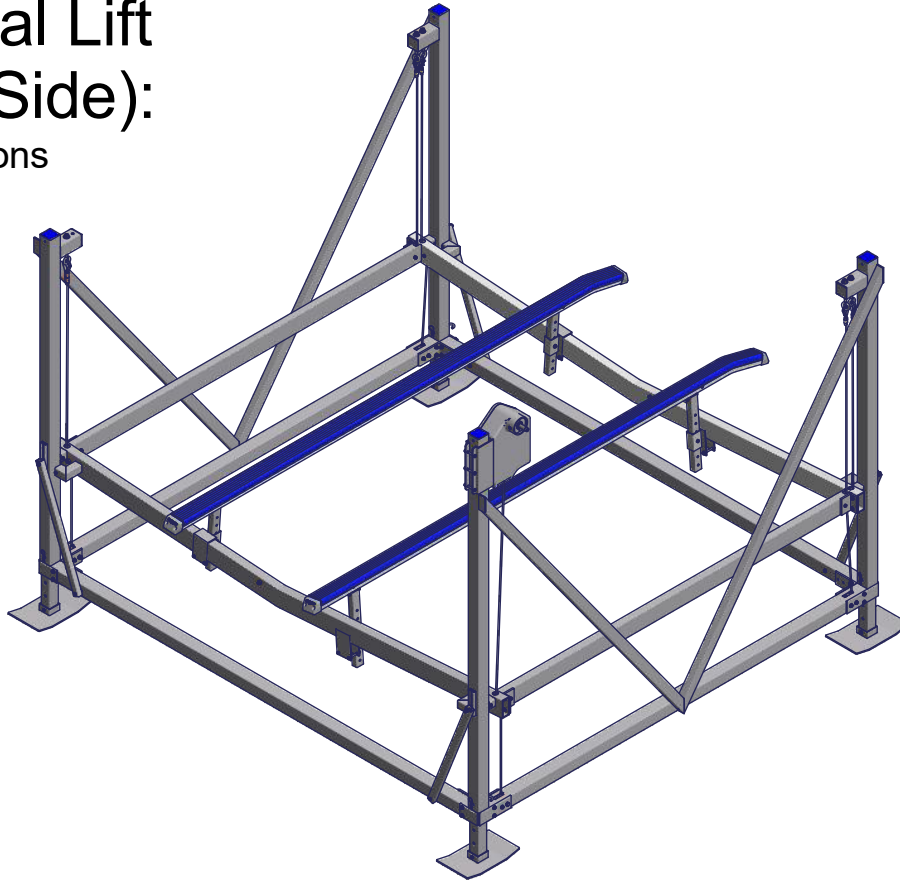


DVS Vertical Lift (Double V Side): Assembly Instructions

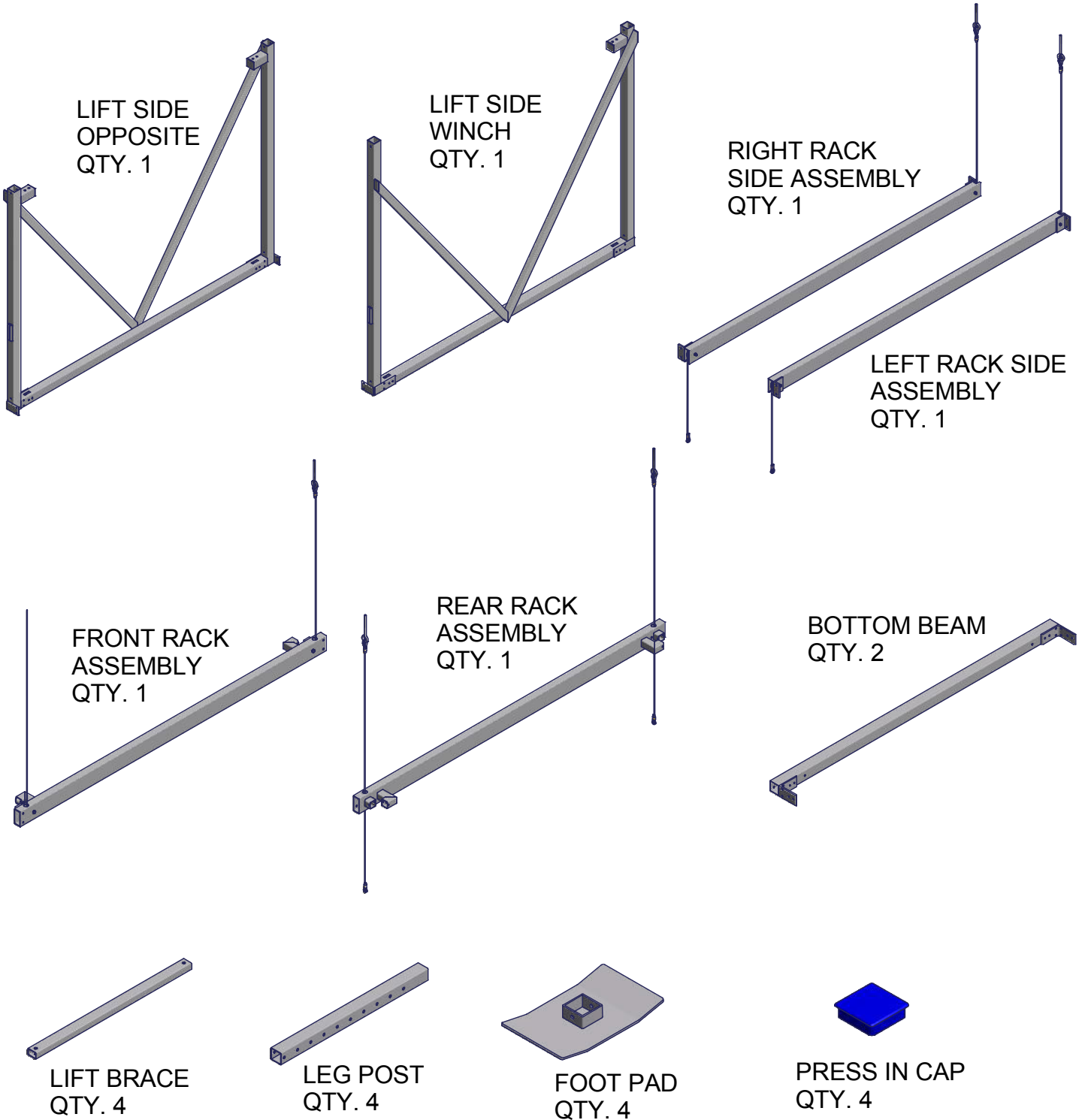


⚠ WARNING - PUT SAFETY FIRST

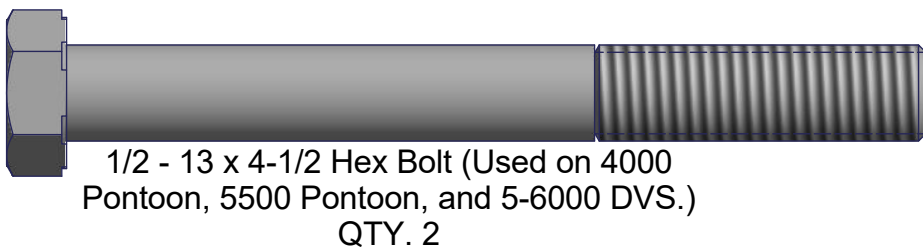
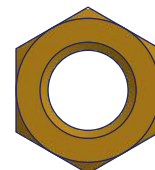
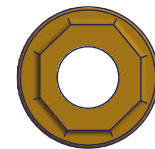
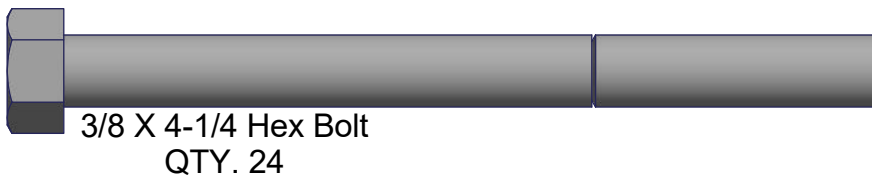
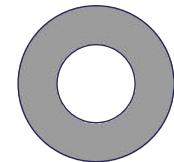
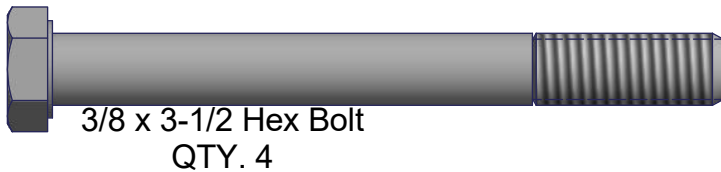
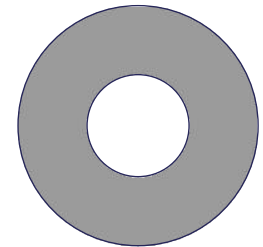
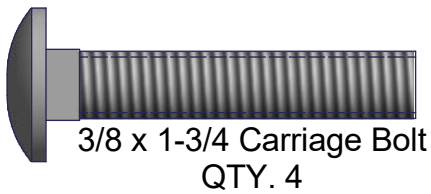
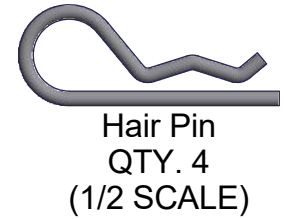
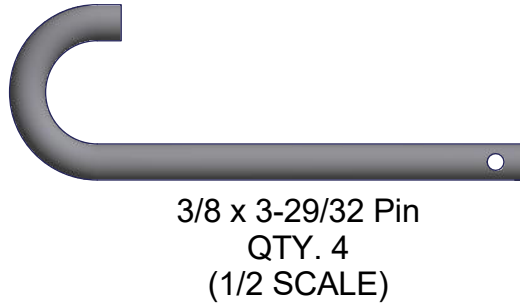
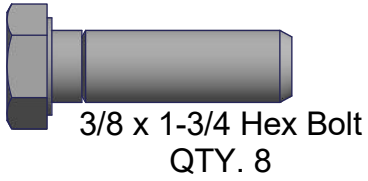
1. NOT COMPLYING WITH THE PROCEDURES AND PRECAUTIONS OUTLINED IN THIS MANUAL MAY RESULT IN PERSONAL INJURY OR DEATH AND WILL INVALIDATE THE WARRANTY.
2. Before attempting to install or operate this hoist, study and fully understand the proper operating procedures and safety precautions outlined in this owner's manual.
3. Never exceed the recommended weight capacity of your lift. The lifted weight will include hull, engine, fuel, battery, and added accessories or gear. Weigh your fully loaded boat at a certified scale to be absolutely sure of the total weight.
4. To avoid personal injury or death do not allow anyone on, in or under the lift while operating.
5. Stay clear of lift (facing wheel) while operating! Do not allow anyone on, in or under boat lift. A cable or lift part failure can cause a sudden drop of the boat, resulting in a crushing or falling injury or death!
6. If you have any questions about assembly, installation, operation or suitability of this product, contact an authorized dealer or ShoreMaster directly at 1-800-328-8945.

VERTICAL BOAT LIFT

PARTS LIST

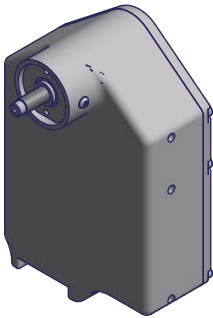


Fasteners and Hardware

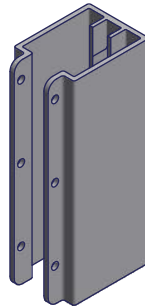


WINCH PARTS

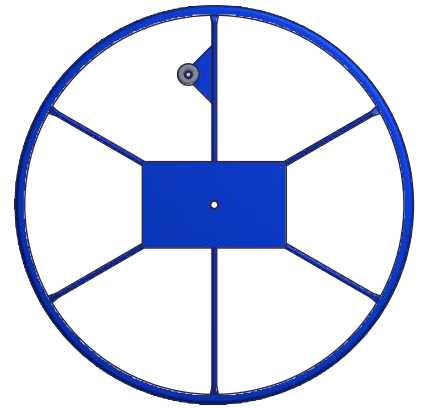
WHISPER WINCH
QTY. 1



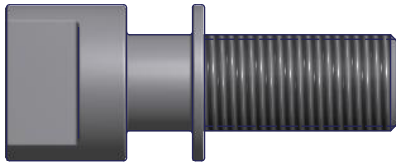
WINCH MOUNT CLAMP
QTY. 1



WHEEL
QTY. 1



1/2 X 1.0 WINCH MOUNTING
BOLT
QTY. 2



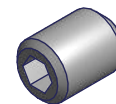
3/8 X 2-3/4 Hex Bolt
QTY. 3



3/8 Flange Nut
QTY. 3



3/8 X 3/8 Set Screw
QTY. 2

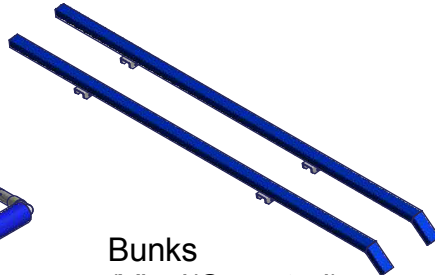


Vertical Lift Accessories

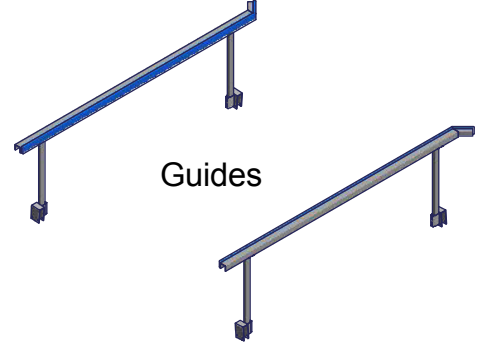
(see dealer for more options)



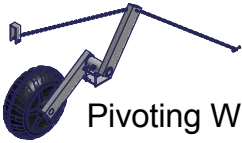
Bow Guide



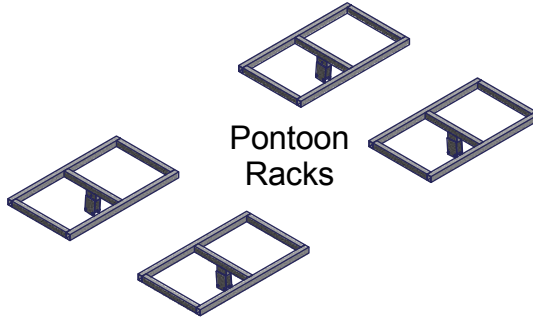
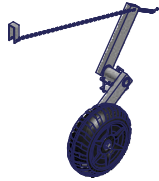
Bunks
(Vinyl/Carpeted)



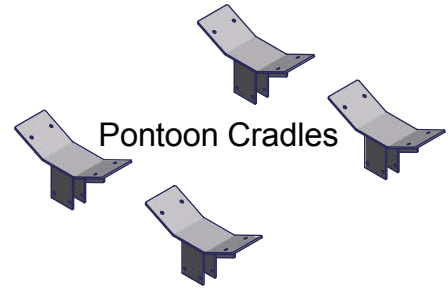
Guides



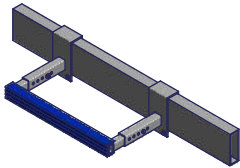
Pivoting Wheel Caddy



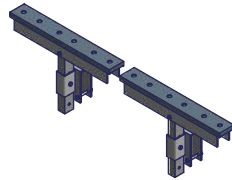
Pontoon
Racks



Pontoon Cradles



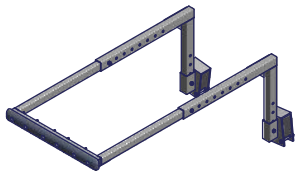
Motor Stop



Adjustable Cradle Pair



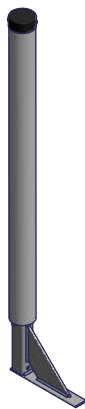
Pontoon Rail Kit



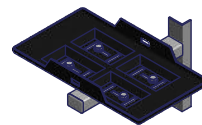
Pontoon Motor Stop



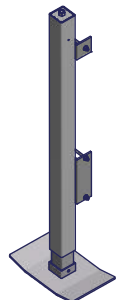
Wheel Caddy Pair



PVC Guide Ons



Battery Tray

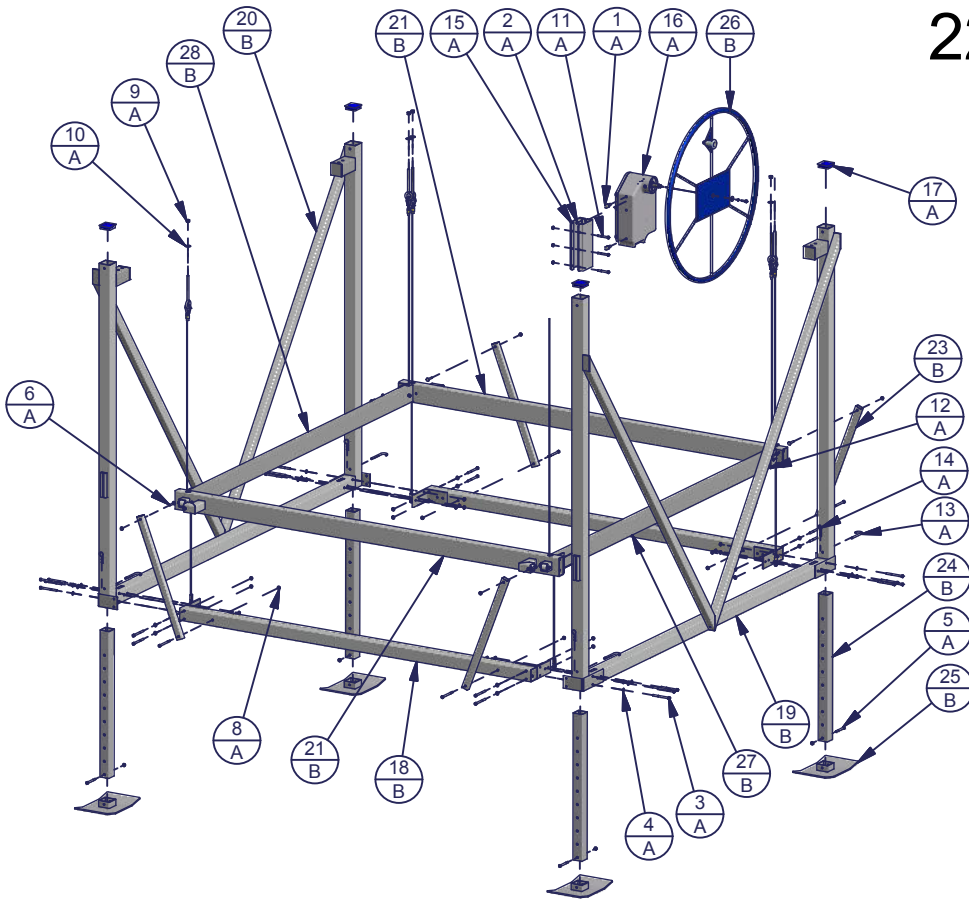


Screw Legs

VERTICAL BOAT LIFT

ShoreMaster Double V Side 2208DVS-Vertical Lift

Part Number: 1016217



PARTS LIST "A"

1016150 - Hardware Box - 2/3000 DVS Lift			
ITEM	QTY	PART NUMBER	DESCRIPTION
-	1	1004488	Hardware Bag - Whisper Winch
1	2	1000513	Winch Mounting Bolt
2	2	1000536	Set Screw 3/8 x 3/8
-	1	1004484	Bolt Bag - DVS Lifts
3	24	1002443	Bolt 3/8 x 4.25
4	32	1002599	Washer Flat 3/8
5	4	1002434	Bolt Hex 3/8 x 3.5
6	4	1001959	Bolt Carriage 3/8 x 1.75
7	47	1001802	Nut Flange 3/8
8	4	1002441	Bolt 3/8 x 4.5
9	5	1001795	Nut Nyloc 1/2
10	5	1002565	Washer Flat 1/2
11	3	1002431	Bolt 3/8 x 2.75
12	8	1002422	Bolt 3/8 x 1.25
-	1	1007518	Bolt Bag - Pins
13	4	1002600	Pin 3/8 X 3-29/32
14	4	1002278	Hair Pin Keeper
15	1	1001791	Winch Mount Clamp
16	1	1015522	Whisper Winch (Model 141)
17	4	1001034	Press-In Cap 3 x 3

PARTS LIST "B"

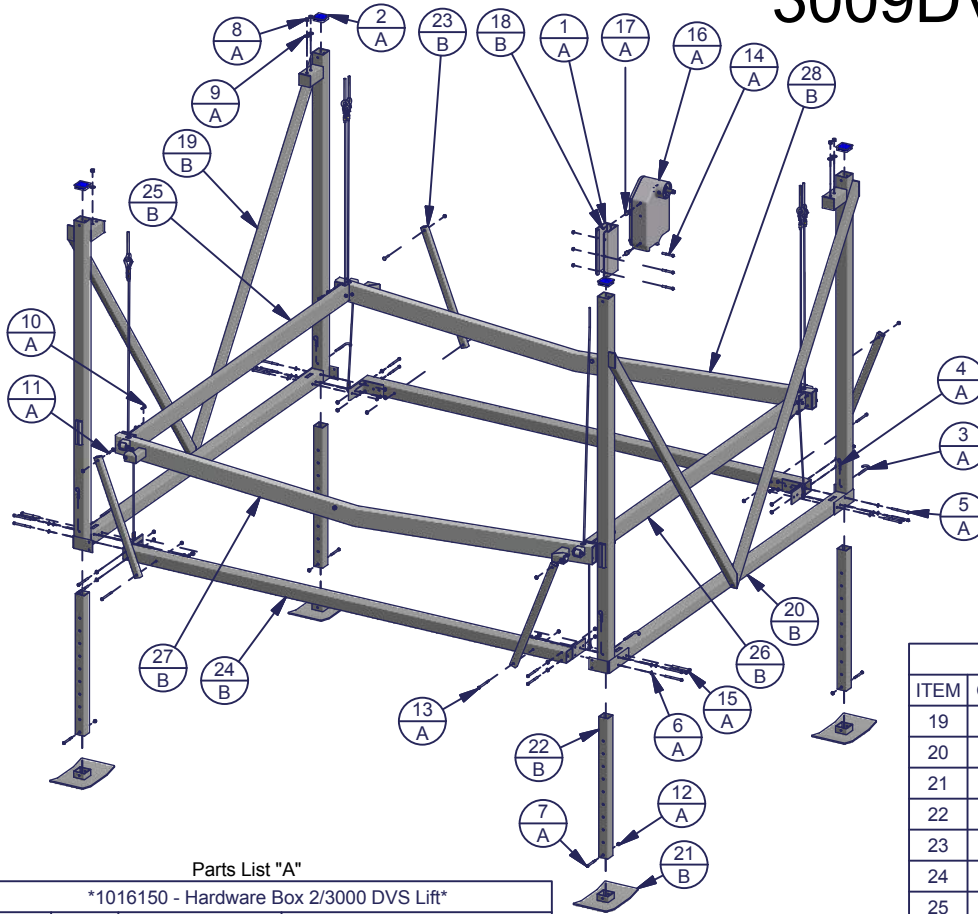
1016218 - Bundle Lift Vertical 2008 DVS			
ITEM	QTY	PART NUMBER	DESCRIPTION
18	2	1016221	Bottom Beam
19	1	1016219	Lift Side Winch
20	1	1016220	Lift Side Opposite
21	1	1016222	Front Rack Assembly
	1	1016224	Front Rack - Alum Only
	1	1021300	Winch Cable
22	1	1016223	Rear Rack Assembly
	1	1016225	Rear Rack - Alum Only
	2	1021315	Rear Cable Assembly
23	4	1003084	Lift Brace
24	4	1003944	Leg Post (C-3)
25	4	1007404	Foot Pad (C-3)
26	1	1007201	Wheel
27	1	1007260	Rack Side Left
	1	1007792	Left Rack Side - Alum Only
28	1	1007261	Right Rack Side Assembly
	1	1007793	Right Rack Side - Alum Only
	1	1021305	Side Cable Assembly

PULLEY/RACK PARTS

QTY	PART NUMBER	DESCRIPTION
4	1004657	Brass Sheave 3.5 (Side)
6	1006916	Brass Sheave 3.75 (Front/Rear)
4	1002205	Bushing (Front)
4	1006911	Bushing (Rear)
8	1002207	Bushing (Side)
8	1002706	Rack Roller
2	1000953	Cable Roller
1	1000952	Cable Roller Shaft

ShoreMaster Double V Side 3009DVS - Vertical Lift

Part Number: 1007106



Parts List "A"

1016150 - Hardware Box 2/3000 DVS Lift			
ITEM	QTY	PART NUMBER	DESCRIPTION
1	1	1001791	Winch Mount Clamp
2	4	1001034	Press-In Cap 3 x 3
-	1	1007518	Hardware Bag (Pins)
3	4	1002600	PIN 3/8 x 3-29/32
4	4	1002278	Hair Pin Keeper
-	1	1020860	Bolt Bag (Frame)
5	24	1002443	Bolt 3/8 x 4.25
6	30	1002599	Washer Flat 3/8
7	4	1002434	Bolt 3/8 x 3.5
8	7	1001795	Nut Nyloc 1/2
9	5	1002565	Washer Flat 1/2
10	8	1002422	Bolt 3/8 x 1.25
11	4	1001959	Bolt Carriage 3/8 x 1.75
12	47	1001802	Nut Flange 3/8
13	4	1002441	Bolt 3/8 x 4.5
14	3	1002431	Bolt 3/8 x 2.75
15	2	1002385	Bolt Hex 1/2-13 x 4.5 SS 304
16	1	1015523	Whisper Winch Model 141
-	1	1004488	Hardware Bag Winch
17	2	1000513	Bolt Custom 1/2 x 1.0 Winch
18	2	1000536	Set Screw 3/8 x 3/8

Parts List "B"

1003937 - Bundle 3009 DVS Vertical Lift			
ITEM	QTY	PART NUMBER	DESCRIPTION
19	1	1003645	Lift Side Opposite
20	1	1003644	Lift Side Winch
21	4	1007404	Foot Pad - C
22	4	1003944	Leg Post - C3
23	4	1003084	Brace Tube
24	2	1007279	Bottom Beam (9ft)
25	1	1007261	Right Rack Side Assembly
	1	1007793	Right Rack Side - Alum Only
26	1	1007260	Left Rack Side Assembly
	1	1021305	Side Cable Assembly
	1	1007792	Left Rack Side - Alum Only
27	1	1003378	Front Rack Assembly (9ft)
	1	1003655	Front Rack - Alum Only
	1	1021299	Winch Cable Assembly
28	1	1003382	Rear Rack Assembly (9ft)
	2	1021308	Rear Cable (9ft) Assembly
	1	1003659	Rear Rack - Alum Only

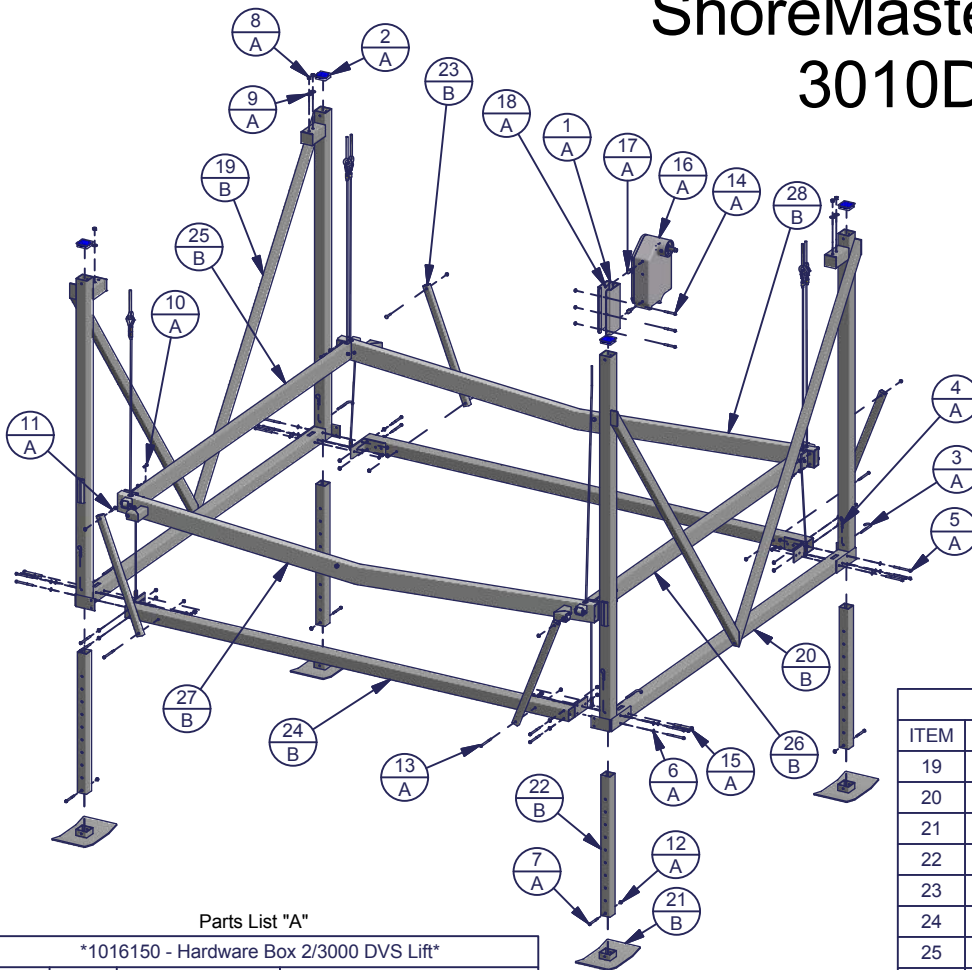
Rack/Pulley Parts

QTY	PART NUMBER	DESCRIPTION
6	1006916	Brass Sheave 3.75 (Front/Rear)
4	1004657	Brass Sheave 3.5 (Side)
4	1006908	Bushing (Front)
4	1006910	Bushing (Rear)
8	1002207	Bushing (Side)
8	1002706	Vertical Roller
2	1000953	Cable Roller
2	1000952	Cable Roller Shaft

VERTICAL BOAT LIFT

ShoreMaster Double V Side 3010DVS - Vertical Lift

Part Number: 1007107



Parts List "A"

1016150 - Hardware Box 2/3000 DVS Lift			
ITEM	QTY	PART NUMBER	DESCRIPTION
1	1	1001791	Winsh Mount Clamp
2	4	1001034	Press-In Cap 3 x 3
-	1	1007518	Hardware Bag (Pins)
3	4	1002600	Pin 3/8 X 3-29/32
4	4	1002278	Hair Pin Keeper
-	1	1020860	Bolt Bag (Frame)
5	22	1002443	Bolt 3/8 x 4.25
6	30	1002599	Washer Flat 3/8
7	4	1002434	Bolt 3/8 x 3.5
8	7	1001795	Nut Nyloc 1/2
9	5	1002565	Washer Flat 1/2
10	8	1002422	Bolt 3/8 x 1.25
11	4	1001959	Bolt Carriage 3/8 x 1.75
12	45	1001802	Nut Flange 3/8
13	4	1002441	Bolt 3/8 x 4.5
14	3	1002431	Bolt 3/8 x 2.75
15	2	1002385	Bolt Hex 1/2-13 x 4.5 SS 304
16	1	1015522	Whisper Winch Model 141
-	1	1004488	Hardware Bag Winch
17	2	1000513	Bolt Custom 1/2-20 x 1.0
18	2	1000536	Set Screw 3/8-16 x .375 SS

Parts List "B"

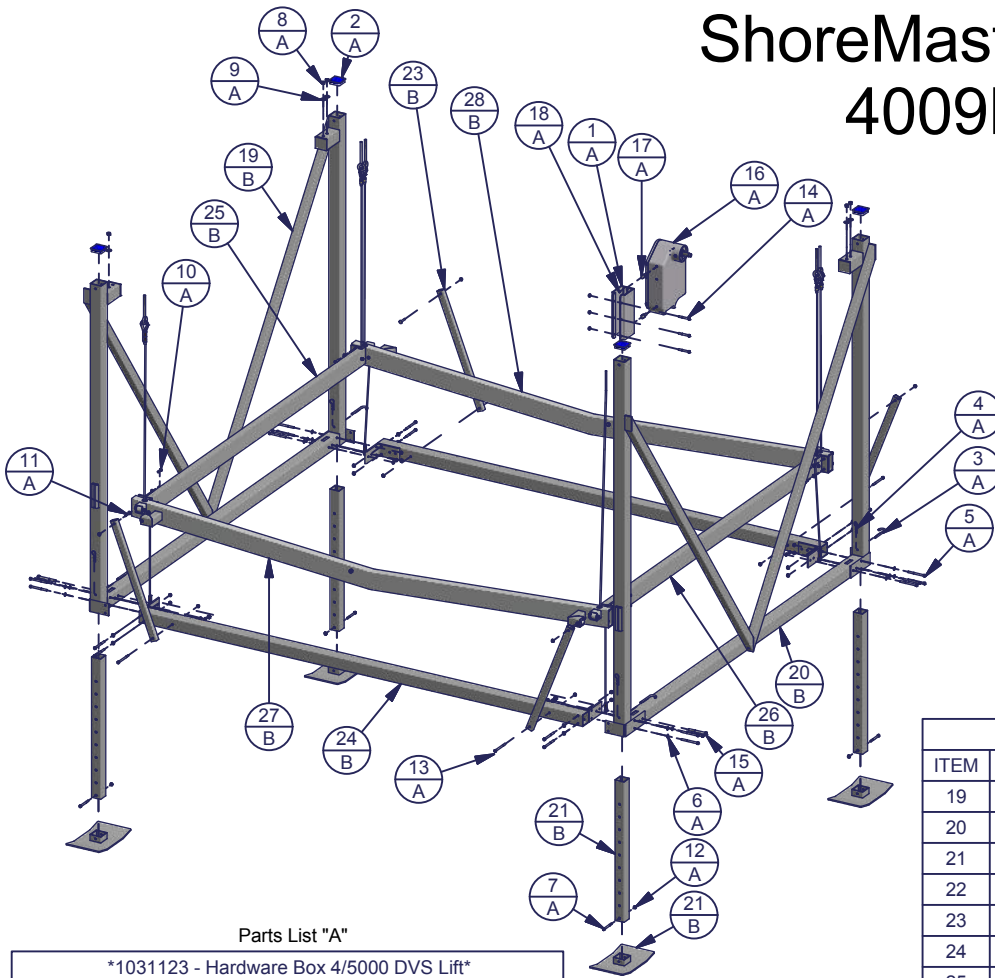
1003938 - Bundle 3010 DVS Vertical Lift			
ITEM	QTY	PART NUMBER	DESCRIPTION
19	1	1003645	Lift Side Opposite
20	1	1003644	Lift Side Winch
21	4	1007404	Foot Pad - C
22	4	1003944	Leg Post - C3
23	4	1003084	Brace Tube
24	2	1007282	Bottom Beam (10ft)
25	1	1007261	Right Rack Side Assembly
	1	1007793	Right Rack Side - Alum Only
26	1	1007260	Left Rack Side Assembly
	1	1021305	Side Cable Assembly
	1	1007792	Left Rack Side - Alum Only
27	1	1003379	Front Rack Assembly (10ft)
	1	1003656	Front Rack - Alum Only
	1	1021298	Winch Cable Cable
28	1	1003383	Rear Rack Assembly
	2	1021317	Rear Cable Assembly
	1	1003660	Rear Rack - Alum Only

Rack/Pulley Parts

QTY	PART NUMBER	DESCRIPTION
6	1006916	Brass Sheave 3.75 (Front/Rear)
4	1004657	Brass Sheave 3.5 (Side)
4	1006908	Bushing (Front)
4	1006910	Bushing (Rear)
8	1002207	Bushing (Side)
8	1002706	Vertical Roller
2	1000953	Cable Roller
2	1000952	Cable Roller Shaft

ShoreMaster Double V Side 4009DVS - Vertical Lift

Part Number: 1031116



Parts List "A"

1031123 - Hardware Box 4/5000 DVS Lift			
ITEM	QTY	PART NUMBER	DESCRIPTION
1	1	1001791	Winch Mount Clamp
2	4	1001034	Press-In Cap 3 x 3
-	1	1007518	Hardware Bag (Pins)
3	4	1002600	Pin 3/8 X 3-29/32
4	4	1002278	Hair Pin Keeper
-	1	1020860	Bolt Bag (Frame)
5	22	1002443	Bolt 3/8 x 4.25
6	30	1002599	Washer Flat 3/8
7	4	1002434	Bolt 3/8 x 3.5
8	7	1001795	Nut Nyloc 1/2
9	5	1002565	Washer Flat 1/2
10	8	1002422	Bolt 3/8 x 1.25
11	4	1001959	Bolt Carriage 3/8 x 1.75
12	45	1001802	Nut Flange 3/8
13	4	1002441	Bolt 3/8 x 4.5
14	3	1002431	Bolt 3/8 x 2.75
15	2	1002385	Bolt Hex 1/2-13 x 4.5
16	1	1031109	Whisper Winch Model 411
-	1	1004488	Hardware Bag Winch
17	2	1000513	Bolt Custom 1/2 x 1.0
18	2	1000536	Set Screw 3/8 x .375 SS

Parts List "B"

1003939 - Bundle 4009 DVS Vertical Lift			
ITEM	QTY	PART NUMBER	DESCRIPTION
19	1	1003647	Lift Side Opposite
20	1	1003646	Lift Side Winch
21	4	1007404	Foot Pad - C
22	4	1003944	Leg Post - C3
23	4	1003084	Brace Tube
24	2	1003653	Bottom Beam (9ft)
25	1	1007261	Right Rack Side Assembly
	1	1007793	Right Rack Side - Alum Only
26	1	1007260	Left Rack Side Assembly
	1	1021305	Side Cable Assembly
	1	1007792	Left Rack Side - Alum Only
27	1	1003380	Front Rack Assembly (9ft)
	1	1003657	Front Rack - Alum Only
	1	1021299	Winch Cable (9ft) Assembly
28	1	1003384	Rear Rack Assembly (9ft)
	2	1021308	Rear Cable Assembly
	1	1003661	Rear Rack Alum Only

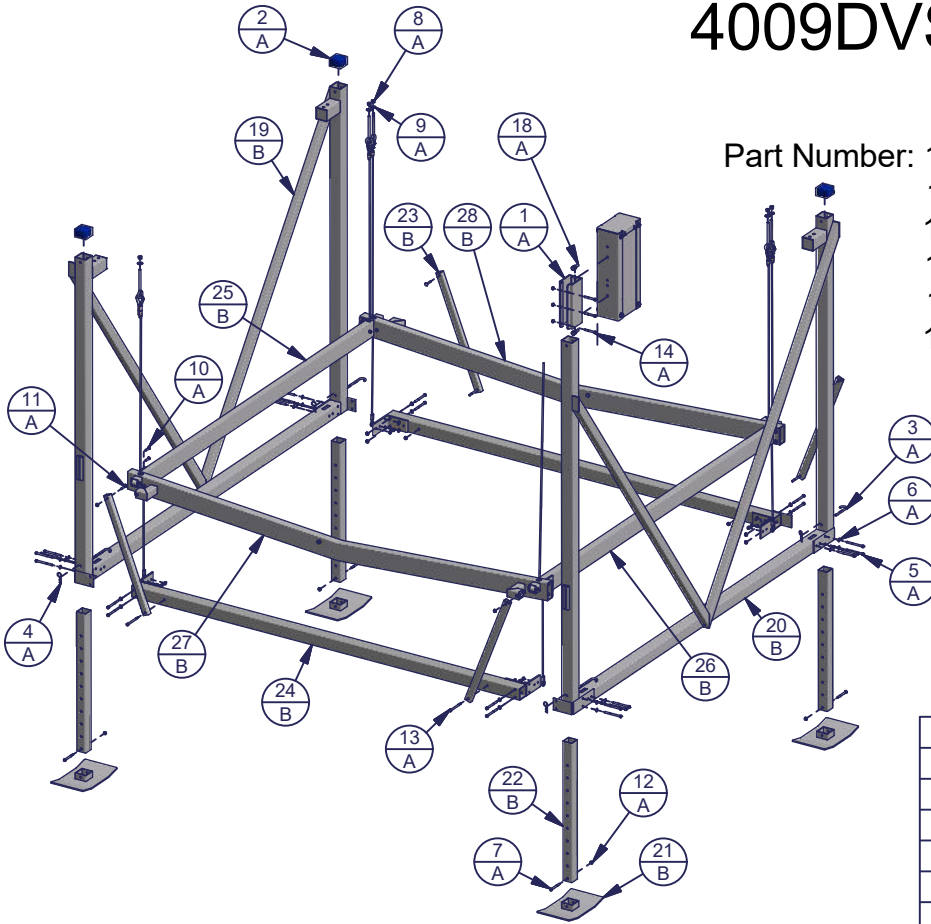
Rack/Pulley Parts

QTY	PART NUMBER	DESCRIPTION
6	1006916	Brass Sheave 3.75 (Front/Rear)
4	1004657	Brass Sheave 3.5 (Side)
4	1006907	Bushing (Front)
4	1006909	Bushing (Rear)
8	1002207	Bushing (Side)
8	1002706	Vertical Roller
2	1000953	Cable Roller
2	1000952	Cable Roller Shaft

VERTICAL BOAT LIFT

ShoreMaster Double V Side 4009DVS - Vertical Lift with Integrated Winch

Part Number: 1026551 - 12/24V w/ Key
 1026552 - 12/24V w/ Wired Remote
 1026553 - 12/24V w/ Wireless Remote
 1026557 - 120V w/ Key
 1026558 - 120V w/ Wired Remote
 1026559 - 120V w/ Wireless Remote



1026583 - Hardware Box 4K DVS Integrated

ITEM	QTY	PART NUMBER	DESCRIPTION
1	1	1001791	Winch Mount Clamp
2	4	1001034	Press-In Cap 3 x 3
-	1	1007518	Hardware Bag (Pins)
3	4	1002600	Pin 3/8 X 3-29/32
4	4	1002278	Hair Pin Keeper
-	1	1004484	Bolt Bag (Frame)
5	24	1002443	Bolt 3/8 x 4.25
6	32	1002599	Washer Flat 3/8
7	4	1002434	Bolt 3/8 x 3.5
8	5	1001795	Nut Nyloc 1/2
9	5	1002565	Washer Flat 1/2
10	8	1002422	Bolt 3/8 x 1.25
11	4	1001959	Bolt Carriage 3/8 x 1.75
12	47	1001802	Nut Flange 3/8
13	4	1002441	Bolt 3/8 x 4.5
14	3	1002431	Bolt 3/8 x 2.75
-	1	1026581	Bolt Bag Integrated Winch Mount
15	2	1002561	Washer Lock 1/2 SS
16	2	1000475	Washer Flat 1/2 SS
17	2	1001795	Nut Nyloc 1/2 Brass
18	2	1002379	Bolt Hex 1/2 x 2.0 SS

1003939 - Bundle 4009 DVS Vertical Lift

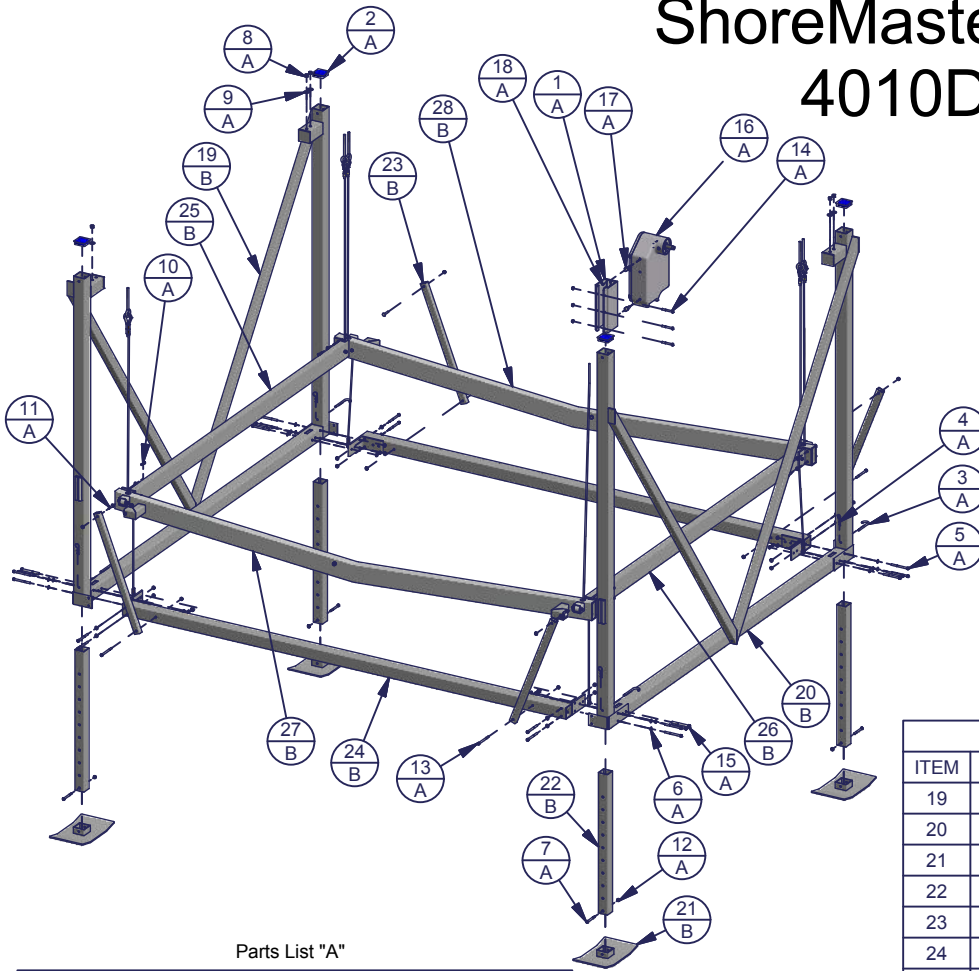
ITEM	QTY	PART NUMBER	DESCRIPTION
19	1	1003647	Lift Side Opposite
20	1	1003646	Lift Side Winch
21	4	1007404	Foot Pad - C
22	4	1003944	Leg Post - C3
23	4	1003084	Brace Tube
24	2	1003653	Bottom Beam (9ft)
25	1	1007261	Right Rack Side Assembly
	1	1007793	Right Rack Side - Alum Only
26	1	1007260	Left Rack Side Assembly
	1	1021305	Side Cable Assembly
	1	1007792	Left Rack Side - Alum Only
27	1	1003380	Front Rack Assembly (9ft)
	1	1003657	Front Rack - Alum Only
	1	1021299	Winch Cable (9ft) Assembly
28	1	1003384	Rear Rack Assembly (9ft)
	2	1021308	Rear Cable Assembly
	1	1003661	Rear Rack Alum Only

Rack/Pulley Parts

QTY	PART NUMBER	DESCRIPTION
6	1006916	Brass Sheave 3.75 (Front/Rear)
4	1006915	Brass Sheave 3.5 (Side)
4	1006907	Bushing (Front)
4	1006909	Bushing (Rear)
8	1002208	Bushing (Side)
8	1002706	Vertical Roller
2	1000953	Cable Roller
2	1000952	Cable Roller Shaft

ShoreMaster Double V Side 4010DVS - Vertical Lift

Part Number: 1031117



Parts List "A"

1031123 - Hardware Box 4/5000 DVS Lift			
ITEM	QTY	PART NUMBER	DESCRIPTION
1	1	1001791	Winch Mount Clamp
2	4	1001034	Press-In Cap 3 x 3
-	1	1007518	Hardware Bag (Pins)
3	4	1002600	Pin 3/8 X 3-29/32
4	4	1002278	Hair Pin Keeper
-	1	1020860	Bolt Bag (Frame)
5	22	1002443	Bolt 3/8 x 4.25
6	30	1002599	Washer Flat 3/8
7	4	1002434	Bolt 3/8 x 3.5
8	7	1001795	Nut Nyloc 1/2
9	5	1002565	Washer Flat 1/2
10	8	1002422	Bolt 3/8 x 1.25
11	4	1001959	Bolt Carriage 3/8 x 1.75
12	45	1001802	Nut Flange 3/8
13	4	1002441	Bolt 3/8 x 4.5
14	3	1002431	Bolt 3/8 x 2.75
15	2	1002385	Bolt Hex 1/2-13 x 4.5
16	1	1031109	Whisper Winch Model 411
-	1	1004488	Hardware Bag Winch
17	2	1000513	Bolt Custom 1/2-20 x 1.0
18	2	1000536	Set Screw 3/8-16 x .375 SS

Parts List "B"

1003940 - Bundle 4010 DVS Vertical Lift			
ITEM	QTY	PART NUMBER	DESCRIPTION
19	1	1003647	Lift Side Opposite
20	1	1003646	Lift Side Winch
21	4	1007404	Foot Pad - C
22	4	1003944	Leg Post - C3
23	4	1003084	Brace Tube
24	2	1003652	Bottom Beam (10ft)
25	1	1007261	Right Rack Side Assembly
	1	1007793	Right Rack Side - Alum Only
26	1	1007260	Left Rack Side Assembly
	1	1021305	Side Cable Assembly
	1	1007792	Left Rack Side - Alum Only
27	1	1003381	Front Rack Assembly (10ft)
	1	1003658	Front Rack - Alum Only
	1	1021298	Winch Cable (10ft) Assembly
28	1	1003385	Rack Rear Assembly (10ft)
	2	1021317	Rear Cable (10ft) Assembly
	1	1003662	Rack Rear - Alum Only

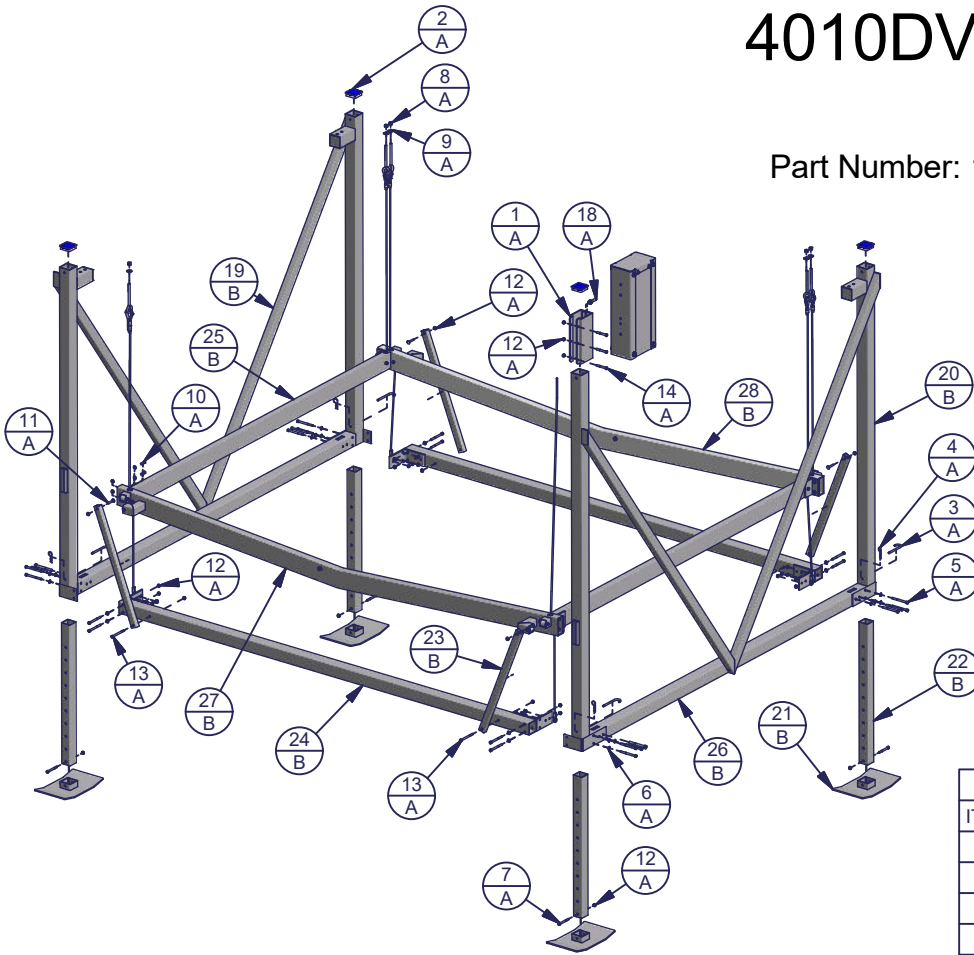
Rack/Pulley Parts

QTY	PART NUMBER	DESCRIPTION
6	1006916	Brass Sheave 3.75 (Front/Rear)
4	1004657	Brass Sheave 3.5 (Side)
4	1006907	Bushing (Front)
4	1006909	Bushing (Rear)
8	1002207	Bushing (Side)
8	1002706	Vertical Roller
2	1000953	Cable Roller
2	1000952	Cable Roller Shaft

VERTICAL BOAT LIFT

ShoreMaster Double V Side 4010DVS - Vertical Lift with Integrated Winch

- Part Number: 1026554 - 12/24V w/ Key
 1026555 - 12/24V w/ Wired Remote
 1026556 - 12/24V w/ Wireless Remote
 1026560 - 120V w/ Key
 1026561 - 120V w/ Wired Remote
 1026562 - 120V w/ Wireless Remote



1026583 - Hardware Box 4K DVS Integrated

ITEM	QTY	PART NUMBER	DESCRIPTION
1	1	1001791	Winch Mount Clamp
2	4	1001034	Press-In Cap 3 x 3
-	1	1007518	Hardware Bag (Pins)
3	4	1002600	Pin 3/8 X 3-29/32
4	4	1002278	Hair Pin Keeper
-	1	1004484	Bolt Bag (Frame)
5	24	1002443	Bolt 3/8 x 4.25
6	32	1002599	Washer Flat 3/8
7	4	1002434	Bolt 3/8 x 3.5
8	5	1001795	Nut Nyloc 1/2
9	5	1002565	Washer Flat 1/2
10	8	1002422	Bolt 3/8 x 1.25
11	4	1001959	Bolt Carriage 3/8 x 1.75
12	47	1001802	Nut Flange 3/8
13	4	1002441	Bolt 3/8 x 4.5
14	3	1002431	Bolt 3/8 x 2.75
-	1	1026581	Bolt Bag Integrated Winch Mount
15	2	1002561	Washer Lock 1/2 SS
16	2	1000475	Washer Flat 1/2 SS
17	2	1001795	Nut Nyloc 1/2 Brass
18	2	1002379	Bolt Hex 1/2 x 2.0 SS

1003940 - Bundle 4010 DVS Vertical Lift

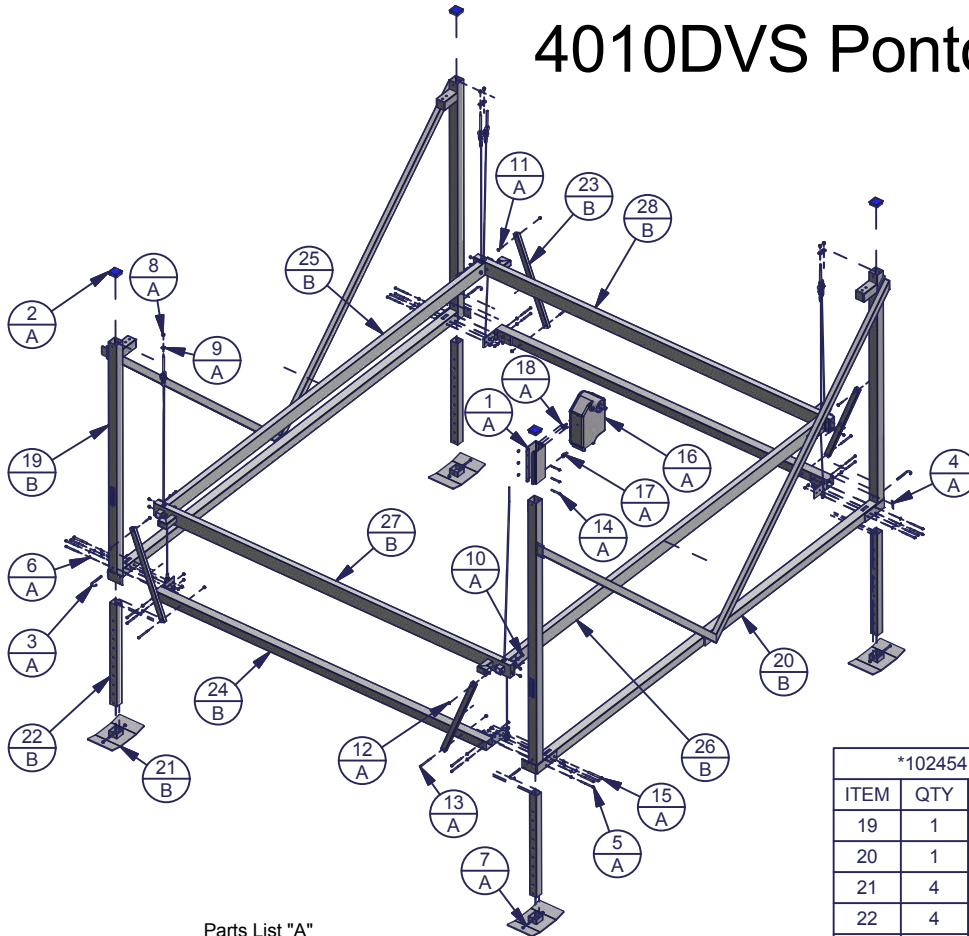
ITEM	QTY	PART NUMBER	DESCRIPTION
19	1	1003647	Lift Side Opposite
20	1	1003646	Lift Side Winch
21	4	1007404	Foot Pad - C
22	4	1003944	Leg Post - C3
23	4	1003084	Brace Tube
24	2	1003652	Bottom Beam (10ft)
25	1	1007261	Right Rack Side Assembly
	1	1007793	Right Rack Side - Alum Only
26	1	1007260	Left Rack Side Assembly
	1	1021305	Side Cable Assembly
	1	1007792	Left Rack Side - Alum Only
27	1	1003381	Front Rack Assembly (10ft)
	1	1003658	Front Rack - Alum Only
	1	1021298	Winch Cable (10ft) Assembly
28	1	1003385	Rack Rear Assembly (10ft)
	2	1021317	Rear Cable (10ft) Assembly
	1	1003662	Rack Rear - Alum Only

Rack/Pulley Parts

QTY	PART NUMBER	DESCRIPTION
6	1006916	Brass Sheave 3.75 (Front/Rear)
4	1006915	Brass Sheave 3.5 (Side)
4	1006907	Bushing (Front)
4	1006909	Bushing (Rear)
8	1002208	Bushing (Side)
8	1002706	Vertical Roller
2	1000953	Cable Roller
2	1000952	Cable Roller Shaft

Shoremaster Double V Side 4010DVS Pontoon Vertical Lift

Part Number: 1031118



Parts List "A"

1031124 - Hardware Box - Vertical Lift DVS 5/6000 & 4/5500 Pontoon

ITEM	QTY	PART NUMBER	DESCRIPTION
1	1	1001791	Winch Mount Clamp
2	4	1001034	Press-In Cap 3 x 3
-	1	1007518	Hardware Bag (Pins)
3	4	1002600	Pin 3/8 X 3-29/32
4	4	1002278	Hair Pin Keeper
-	1	1020860	Bolt Bag (Frame)
5	22	1002443	Bolt 3/8 x 4.25
6	30	1002599	Washer Flat 3/8
7	4	1002434	Bolt 3/8 x 3.5
8	7	1001795	Nut Nyloc 1/2
9	5	1002565	Washer Flat 1/2
10	8	1002422	Bolt 3/8 x 1.25
11	4	1001959	Bolt Carriage 3/8 x 1.75
12	45	1001802	Nut Flange 3/8
13	4	1002441	Bolt 3/8 x 4.5
14	3	1002431	Bolt 3/8 x 2.75
15	2	1002385	Bolt Hex 1/2-13 x 4.5 SS 304
16	1	1031109	Whisper Winch Model 411
-	1	1004488	Hardware Bag Winch
17	2	1000513	Bolt Custom 1/2 x 1.0
18	2	1000536	Set Screw 3/8 x 3/8

Parts List "B"

1024541 - Bundle 4010 Pontoon DVS Vertical Lift

ITEM	QTY	PART NUMBER	DESCRIPTION
19	1	1024533	Lift Side Opposite
20	1	1024532	Lift Side Winch
21	4	1007404	Foot Pad - C
22	4	1003944	Leg Post - C3
23	4	1003084	Brace Tube
24	2	1003652	Bottom Beam (10ft)
25	1	1024526	Right Rack Side Assembly
	1	1024528	Right Rack Side - Alum Only
26	1	1024525	Left Rack Side Assembly
	1	1024531	Side Cable
	1	1024527	Left Rack Side - Alum Only
27	1	1024545	Front Rack Assembly (10ft)
	1	1024551	Front Rack - Alum Only
	1	1021298	Winch Cable (10ft)
28	1	1024546	Rack Rear Assembly (10ft)
	2	1021314	Rear Cable (10ft)
	1	1024550	Rack Rear - Alum Only

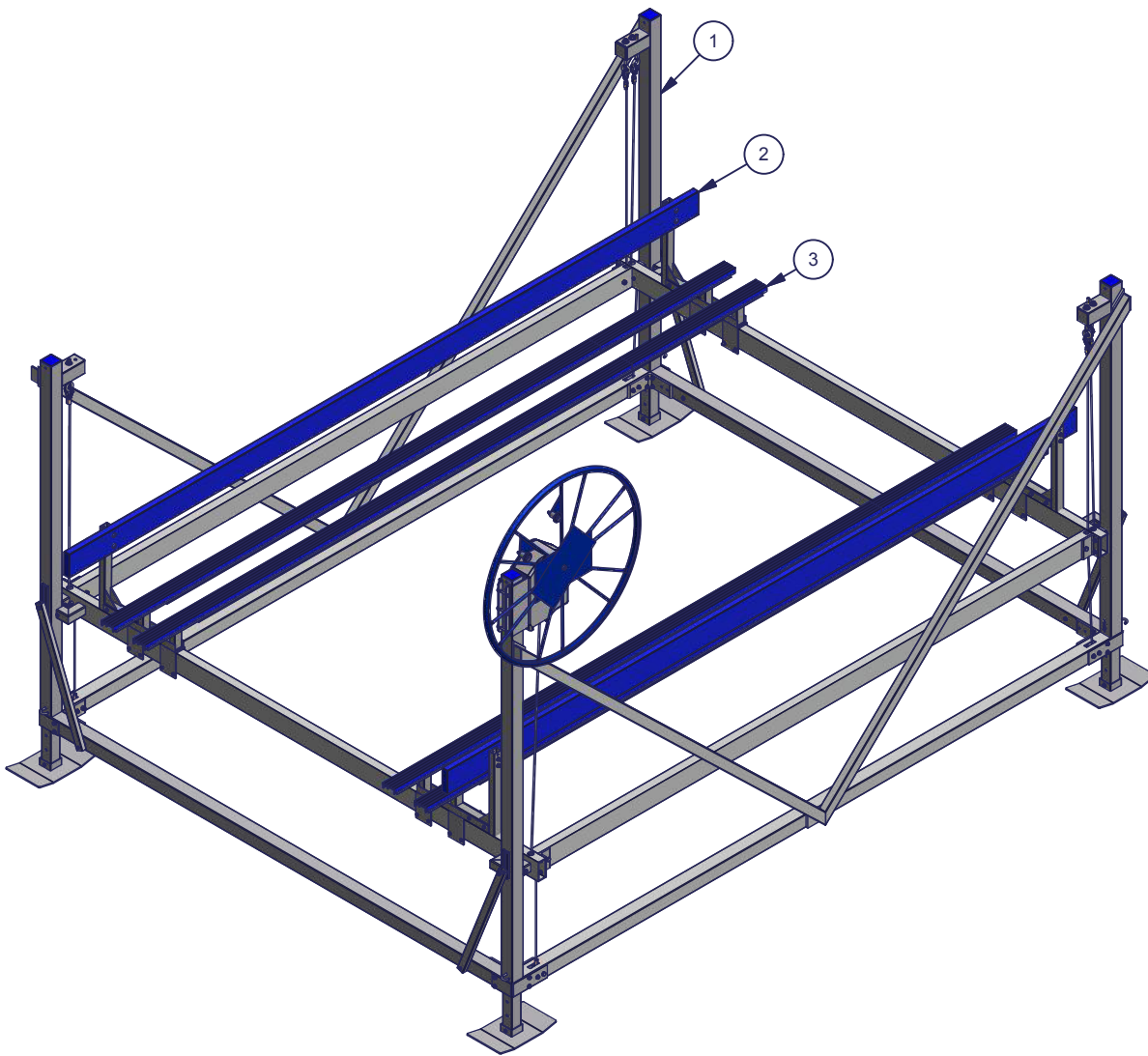
Rack/Pulley Parts

QTY	PART NUMBER	DESCRIPTION
6	1006916	Brass Sheave 3.75 (Front/Rear)
4	1006916	Brass Sheave 3.75 (Side)
4	1006907	Bushing (Front)
4	1006909	Bushing (Rear)
8	1002205	Bushing (Side)
8	1002706	Vertical Roller
2	1000953	Cable Roller
2	1000952	Cable Roller Shaft

ShoreMaster Double V Side 4010DVS Pontoon - with Guides/Cradles

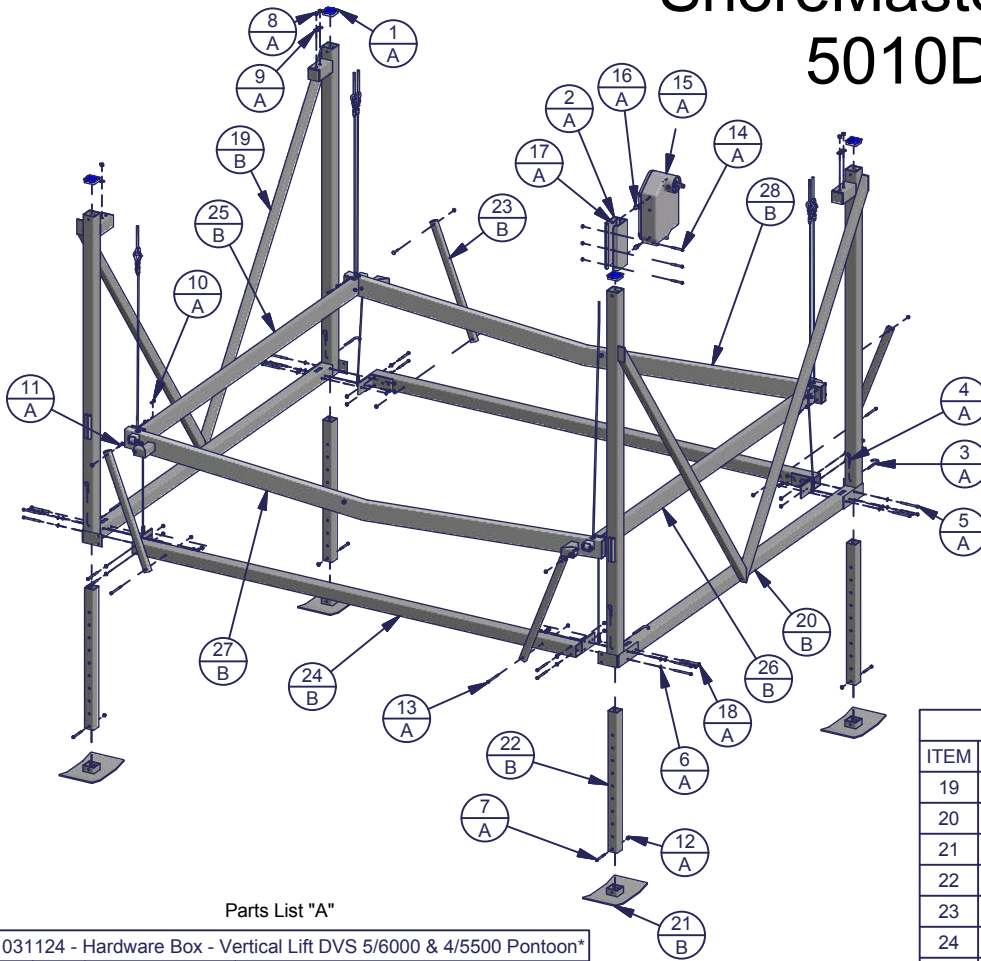
Part Number: 1031119

Parts List			
ITEM	QTY	PART NUMBER	DESCRIPTION
1	1	1031118	Lift Vertical 4010 Pontoon DVS
-	1	1024806	Hardware Box - Pontoon Guide / Cradle - 14'
2	1	1024934	Guide Carpeted 2x6x14ft - Blue Pontoon Guide Crade Pair
3	1	1024936	Bunk Vinyl 14ft - Blue - Pontoon Guide - Cradle - Set of 4



ShoreMaster Double V Side 5010DVS - Vertical Lift

Part Number: 1031120



Parts List "A"

1031124 - Hardware Box - Vertical Lift DVS 5/6000 & 4/5500 Pontoon

ITEM	QTY	PART NUMBER	DESCRIPTION
1	4	1001034	Press-In Cap 3x3
2	1	1001791	Winch Mount Clamp
-	1	1007518	Hardware Bag (Pins)
3	4	1002600	Pin 3/8 X 3-29/32
4	4	1002278	Hair Pin Keeper
-	1	1020860	Bolt Bag (Frame)
5	22	1002443	Bolt 3/8 x 4.25
6	32	1002599	Washer Flat 3/8
7	4	1002434	Bolt 3/8 x 3.5
8	7	1001795	Nut Nyloc 1/2
9	5	1002565	Washer Flat 1/2
10	8	1002422	Bolt 3/8 x 1.25
11	4	1001959	Bolt Carriage 3/8 x 1.75
12	45	1001802	Nut Flange 3/8
13	4	1002441	Bolt 3/8 x 4.5
14	3	1002431	Bolt 3/8 x 2.75
15	1	1031109	Whisper Winch Model 411
-	1	1004488	Hardware Bag Winch
16	2	1000513	Bolt Custom 1/2 x 1.0
17	2	1000536	Set Screw 3/8 x 3/8
18	2	1002385	Bolt Hex 1/2-13 x 4.5

Parts List "B"

1003941 - Bundle 5010 DVS-V Vertical Lift

ITEM	QTY	PART NUMBER	DESCRIPTION
19	1	1003651	Lift Side Opposite
20	1	1003650	Lift Side Winch
21	4	1007404	Foot Pad - C
22	4	1003944	Leg Post - C3
23	4	1003084	Brace Tube
24	2	1003654	Bottom Beam (10ft)
25	1	1003389	Right Rack Side Assembly
	1	1003663	Right Rack Side - Alum Only
26	1	1003390	Left Rack Side Assembly
	1	1021304	Side Cable Assembly
	1	1003664	Left Rack Side - Alum Only
27	1	1003391	Front Rack Assembly (10ft)
	1	1003665	Front Rack - Alum Only
	1	1026605	Galv Winch Cable (10ft)
28	1	1003392	Rack Rear Assembly (10ft)
	2	1021317	Rear Cable (10ft) Assembly
	1	1003666	Rack Rear - Alum Only

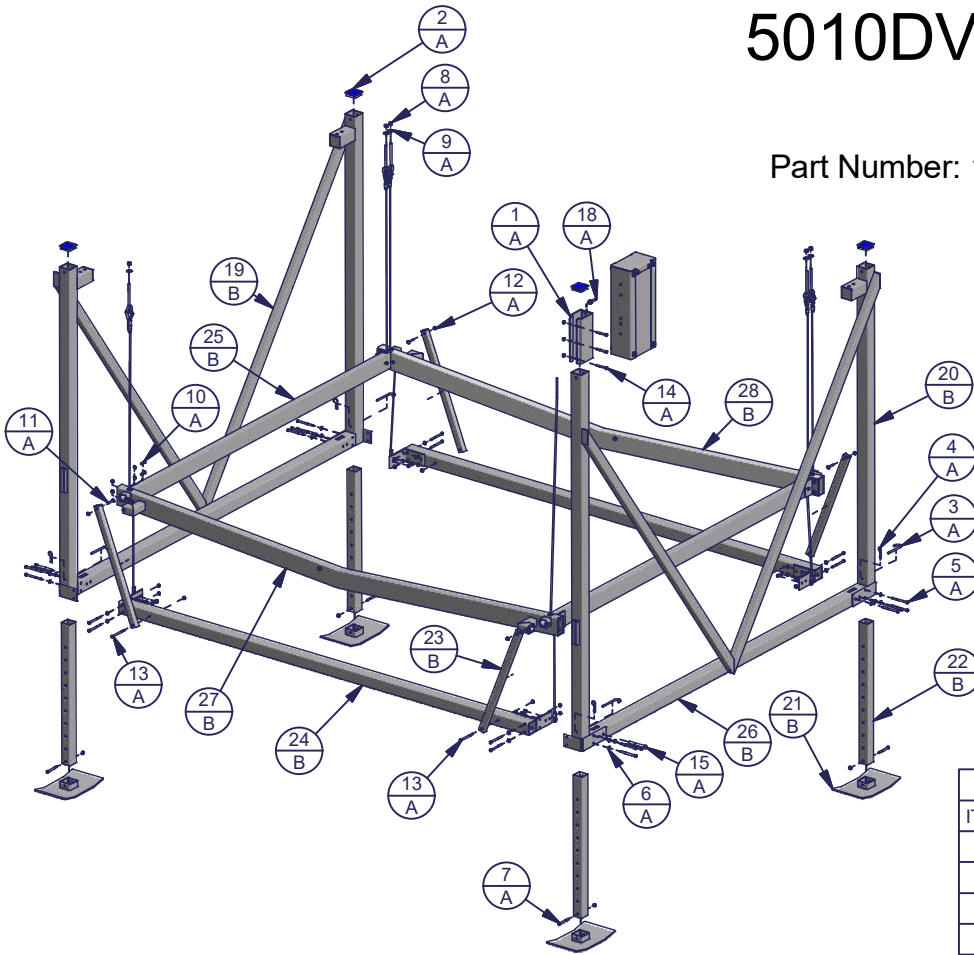
Rack/Pulley Parts

QTY	PART NUMBER	DESCRIPTION
6	1004657	Brass Sheave 3.5
4	1006916	Brass Sheave 3.75 (Side)
4	1006907	Bushing (Front)
4	1006909	Bushing (Rear)
8	1002205	Bushing (Side)
8	1002706	Vertical Roller
2	1000953	Cable Roller
2	1000952	Cable Roller Shaft

VERTICAL BOAT LIFT

ShoreMaster Double V Side 5010DVS - Vertical Lift with Integrated Winch

Part Number: 1028154 - 12/24V w/ Key
 1028155 - 12/24V w/ Wired Remote
 1028156 - 12/24V w/ Wireless Remote
 1028157 - 120V w/ Key
 1028158 - 120V w/ Wired Remote
 1028159 - 120V w/ Wireless Remote



1028166 - Hardware Box 5K DVS Integrated

ITEM	QTY	PART NUMBER	DESCRIPTION
1	1	1029241	Winch Mount Clamp
2	4	1001034	Press-In Cap 3 x 3
-	1	1007518	Hardware Bag (Pins)
3	4	1002600	Pin 3/8 X 3-29/32
4	4	1002278	Hair Pin Keeper
-	1	1020860	Bolt Bag (Frame)
5	22	1002443	Bolt 3/8 x 4.25
6	32	1002599	Washer Flat 3/8
7	4	1002434	Bolt 3/8 x 3.5
8	7	1001795	Nut Nyloc 1/2
9	5	1002565	Washer Flat 1/2
10	8	1002422	Bolt 3/8 x 1.25
11	4	1001959	Bolt Carriage 3/8 x 1.75
12	45	1001802	Nut Flange 3/8
13	4	1002441	Bolt 3/8 x 4.5
14	3	1002431	Bolt 3/8 x 2.75
15	2	1002385	Bolt 1/2 x 4.5
-	1	1026581	Bolt Bag Integrated Winch Mount
16	2	1002565	Washer Flat 1/2 SS
17	2	1001795	Nut Nyloc 1/2 Brass
18	2	1002379	Bolt Hex 1/2 x 2.0 SS

1003941 - Bundle 5010 DVS Vertical Lift

ITEM	QTY	PART NUMBER	DESCRIPTION
19	1	1003651	Lift Side Opposite
20	1	1003650	Lift Side Winch
21	4	1007404	Foot Pad - C
22	4	1003944	Leg Post - C3
23	4	1003084	Brace Tube
24	2	1003654	Bottom Beam (10ft)
25	1	1003389	Right Rack Side Assembly
	1	1003663	Right Rack Side - Alum Only
26	1	1003390	Left Rack Side Assembly
	1	1021304	Side Cable Assembly
	1	1003664	Left Rack Side - Alum Only
27	1	1003391	Front Rack Assembly (10ft)
	1	1003665	Front Rack - Alum Only
	1	1026605	Winch Cable (10ft) Assembly
28	1	1003392	Rack Rear Assembly (10ft)
	2	1021317	Rear Cable (10ft) Assembly
	1	1003666	Rack Rear - Alum Only

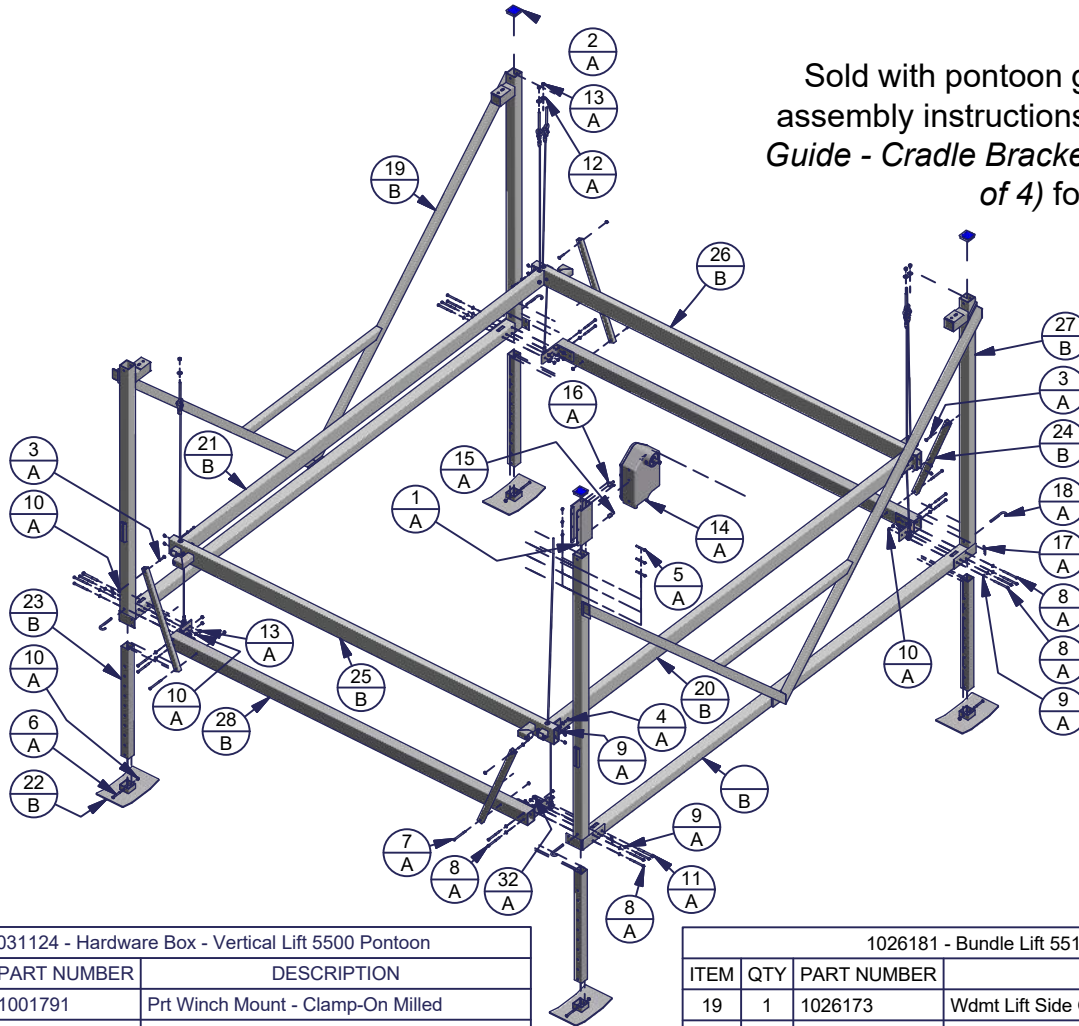
Rack/Pulley Parts

QTY	PART NUMBER	DESCRIPTION
6	1004657	Brass Sheave 3.5 (Front/Rear)
4	1006916	Brass Sheave 3.75 (Side)
4	1006907	Bushing (Front)
4	1006909	Bushing (Rear)
8	1002208	Bushing (Side)
8	1002706	Vertical Roller
2	1000953	Cable Roller
2	1000952	Cable Roller Shaft

ShoreMaster Double V Side 5510DVS Pontoon - Vertical Lift

Part Number: 1031121

Sold with pontoon guides and cradles. See assembly instructions for 1024695 - Pontoon Guide - Cradle Bracket 4/5500 Complete (Set of 4) for assembly instructions.



1031124 - Hardware Box - Vertical Lift 5500 Pontoon			
ITEM	QTY	PART NUMBER	DESCRIPTION
1	1	1001791	Prt Winch Mount - Clamp-On Milled
2	4	1001034	Cap Press-In 3.0x3.0 Blue W/Logo
-	1	1020860	Bolt Bag 5000 / 6000 DVS Vertical Lift
3	4	1001959	Bolt Carriage 3/8-16 x 1.75 SS 304
4	8	1002422	Bolt Hex 3/8-16 x 1.25 SS 304
5	3	1002431	Bolt Hex 3/8-16 x 2.75 SS 304
6	4	1002434	Bolt Hex 3/8-16 x 3.5 SS 304
7	4	1002441	Bolt Hex 3/8-16 x 4.5 SS 304
8	22	1002443	Bolt Hex 3/8-16 x 4.25 SS 304
9	32	1002599	Washer Flat 3/8 SS 304
10	45	1001802	Nut Hex Flange 3/8-16 Serrated Brass
11	2	1002385	Bolt Hex 1/2-13 x 4.5 SS 304
12	5	1002565	Washer Flat 1/2 SS 304
13	7	1001795	Nut Nyloc 1/2-13 Brass
14	1	1031109	Whisper Winch Model 411 - 41:1 Ratio
-	1	1004488	Hardware Bag Whisper Winch
15	2	1000513	Bolt Custom 1/2-20 x 1.0 Silent Winch Mount
16	2	1000536	Screw Set 3/8-16 x .375 SS 304 Flat Point
-	1	1007518	Bolt Bag Pins Vertical Lift SS
17	4	1002278	MH Hair Pin Keeper #10 SS
18	4	1002600	Pin-J 3/8 X 3-29/32 SS 304

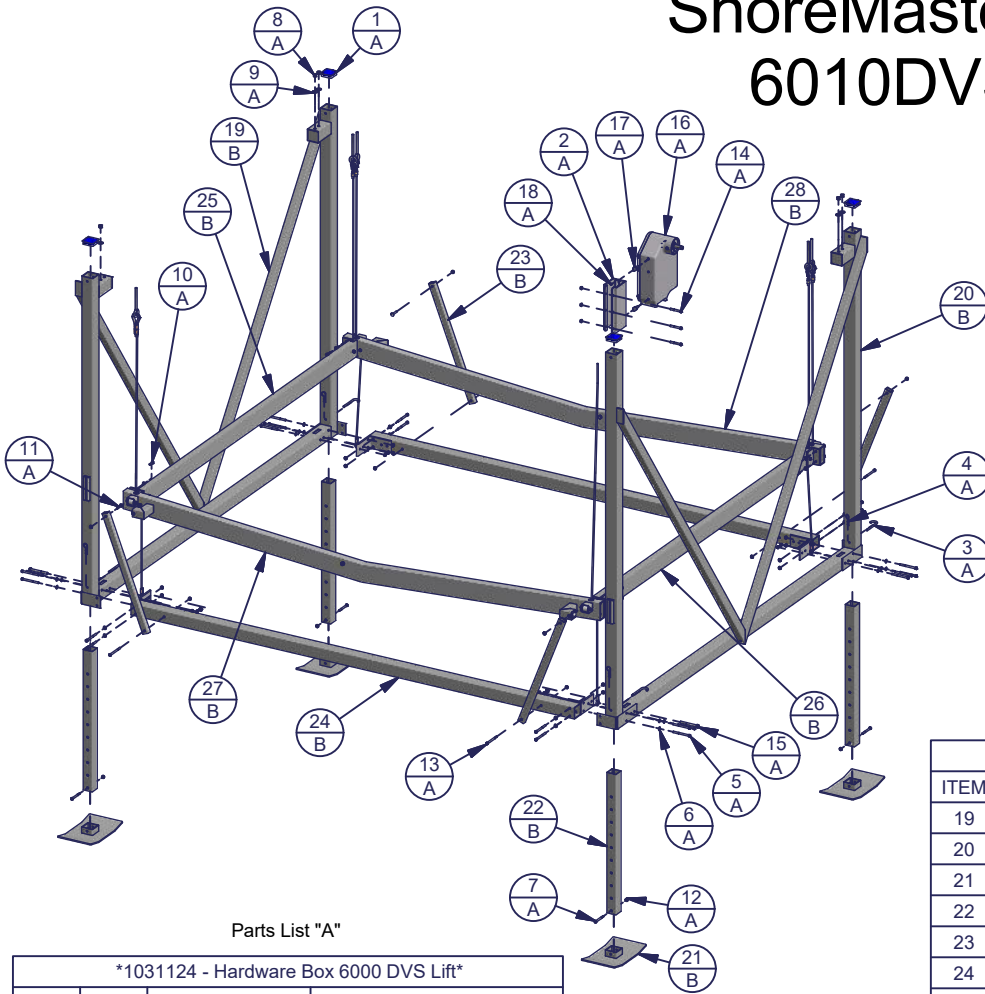
1026181 - Bundle Lift 5510 Pontoon DVS			
ITEM	QTY	PART NUMBER	DESCRIPTION
19	1	1026173	Wdmt Lift Side Opposite 5510 DVS Pontoon
20	1	1024525	Assy Rack Side Left 4/5500 Pontoon
21	1	1024526	Assy Rack Side Right 4/5500 Pontoon
22	4	1007404	Wdmt Foot Pad C-3
23	4	1003944	Leg Post 36.0 - C-3
24	4	1003084	Lift Brace
25	1	1026178	Assy Front Rack 5510 Pontoon DVS
26	1	1026179	Assy Rear Rack 5510 Pontoon DVS
27	1	1026170	Wdmt Lift Side Winch 5510 DVS Pontoon
28	2	1020842	Wdmt Bottom Beam 5/6010 DVS

Rack/Pulley Parts		
QTY	PART NUMBER	DESCRIPTION
6	1026175	Brass Sheave 4.25 (Front/Rear)
4	1006916	Brass Sheave 3.75 (Side)
4	1006907	Bushing (Front)
4	1006909	Bushing (Rear)
8	1002205	Bushing (Side)
8	1002706	Vertical Roller
2	1000953	Cable Roller
2	1000952	Cable Roller Shaft

VERTICAL BOAT LIFT

ShoreMaster Double V Side 6010DVS-V - Vertical Lift

Part Number: 1031122



Parts List "A"

1031124 - Hardware Box 6000 DVS Lift			
ITEM	QTY	PART NUMBER	DESCRIPTION
1	4	1001034	Press-In Cap 3 x 3
2	1	1001791	Winch Mount Clamp
-	1	1007518	Hardware Bag (Pins)
3	4	1002600	Pin 3/8 X 3-29/32
4	4	1002278	Hair Pin Keeper
-	1	1020860	Bolt Bag (Frame)
5	22	1002443	Bolt 3/8 x 4.25
6	30	1002599	Washer Flat 3/8
7	4	1002434	Bolt 3/8 x 3.5
8	7	1001795	Nut Nyloc 1/2
9	5	1002565	Washer Flat 1/2
10	8	1002422	Bolt 3/8 x 1.25
11	4	1001959	Bolt Carriage 3/8 x 1.75
12	45	1001802	Nut Flange 3/8
13	4	1002441	Bolt 3/8 x 4.5
14	3	1002431	Bolt 3/8 x 2.75
15	2	1002385	Bolt Hex 1/2-13 x 4.5
16	1	1031109	Whisper Winch Model 411
-	1	1004488	Hardware Bag Winch
17	2	1000513	Bolt Custom 1/2-20 x 1.0
18	2	1000536	Set Screw 3/8-16 x .375 SS

Parts List "B"

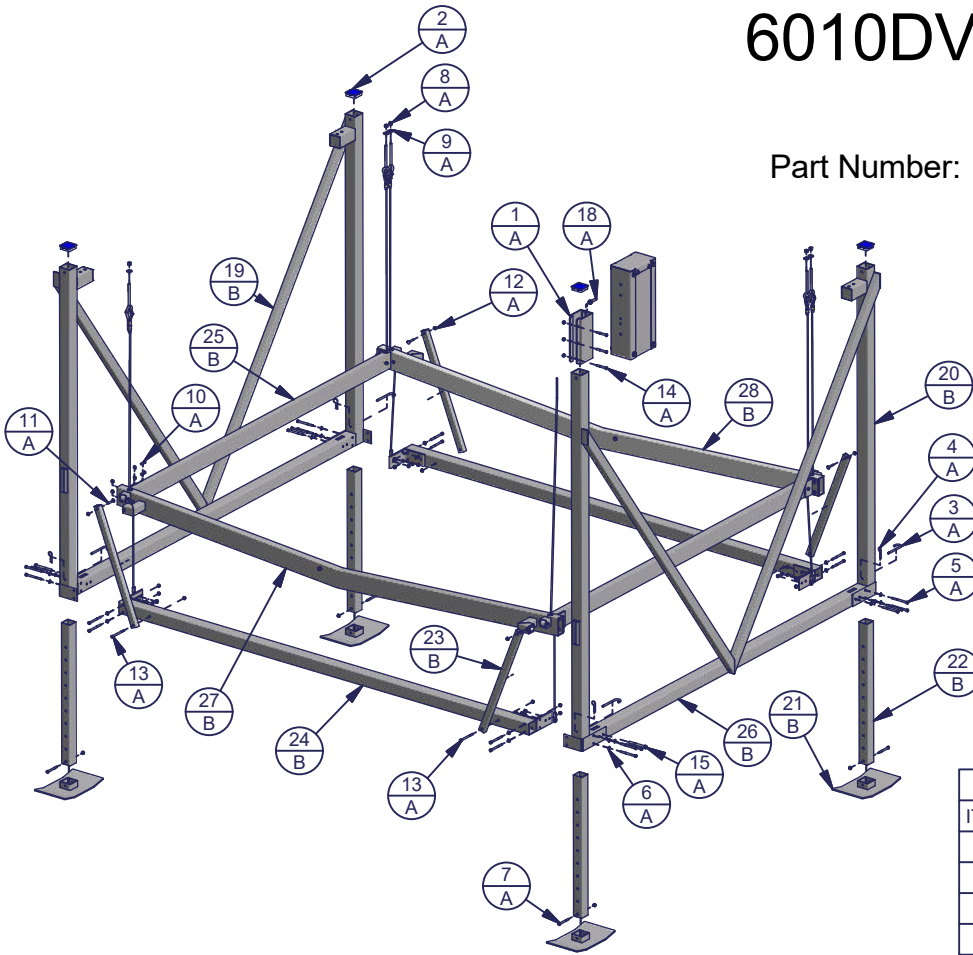
1022107 - Bundle 6010 DVS-V Vertical Lift			
ITEM	QTY	PART NUMBER	DESCRIPTION
19	1	1020837	Lift Side Opposite
20	1	1020836	Lift Side Winch
21	4	1007404	Foot Pad - C
22	4	1003944	Leg Post - C3
23	4	1003084	Brace Tube
24	2	1020842	Bottom Beam (10ft)
25	1	1003389	Right Rack Side Assembly
	1	1003663	Right Rack Side - Alum Only
26	1	1003390	Left Rack Side Assembly
	1	1021304	Side Cable Assembly
	1	1003664	Left Rack Side - Alum Only
27	1	1003391	Front Rack Assembly (10ft)
	1	1003665	Front Rack - Alum Only
	1	1021298	Winch Cable (10ft) Assembly
28	1	1003392	Rack Rear Assembly (10ft)
	2	1021317	Rear Cable (10ft) Assembly
	1	1003666	Rack Rear - Alum Only

Rack/Pulley Parts

QTY	PART NUMBER	DESCRIPTION
6	1004657	Brass Sheave 3.5 (Front/Rear)
4	1006916	Brass Sheave 3.75 (Side)
8	1002706	Vertical Roller
2	1000953	Cable Roller
2	1000952	Cable Roller Shaft
8	1002205	Bushing (Side)
4	1006907	Bushing (Front)
4	1006909	Bushing (Rear)

ShoreMaster Double V Side 6010DVS - Vertical Lift with Integrated Winch

Part Number: 1031196 - 12/24V w/ Key
 1031197 - 12/24V w/ Wired Remote
 1031198 - 12/24V w/ Wireless Remote
 1031199 - 120V w/ Key
 1031200 - 120V w/ Wired Remote
 1031201 - 120V w/ Wireless Remote



1031203 - Hardware Box 6K DVS Integrated

ITEM	QTY	PART NUMBER	DESCRIPTION
1	1	1029241	Winch Mount Clamp
2	4	1001034	Press-In Cap 3 x 3
-	1	1007518	Hardware Bag (Pins)
3	4	1002600	Pin 3/8 X 3-29/32
4	4	1002278	Hair Pin Keeper
-	1	1020860	Bolt Bag (Frame)
5	22	1002443	Bolt 3/8 x 4.25
6	32	1002599	Washer Flat 3/8
7	4	1002434	Bolt 3/8 x 3.5
8	7	1001795	Nut Nyloc 1/2
9	5	1002565	Washer Flat 1/2
10	8	1002422	Bolt 3/8 x 1.25
11	4	1001959	Bolt Carriage 3/8 x 1.75
12	45	1001802	Nut Flange 3/8
13	4	1002441	Bolt 3/8 x 4.5
14	3	1002431	Bolt 3/8 x 2.75
15	2	1002385	Bolt 1/2 x 4.5
-	1	1026581	Bolt Bag Integrated Winch Mount
16	2	1002565	Washer Flat 1/2 SS
17	2	1001795	Nut Nyloc 1/2 Brass
18	2	1002379	Bolt Hex 1/2 x 2.0 SS

1022107 - Bundle 6010 DVS Vertical Lift

ITEM	QTY	PART NUMBER	DESCRIPTION
19	1	1020837	Lift Side Opposite
20	1	1020836	Lift Side Winch
21	4	1007404	Foot Pad - C
22	4	1003944	Leg Post - C3
23	4	1003084	Brace Tube
24	2	1020842	Bottom Beam (10ft)
25	1	1003389	Right Rack Side Assembly
	1	1003663	Right Rack Side - Alum Only
26	1	1003390	Left Rack Side Assembly
	1	1021304	Side Cable Assembly
	1	1003664	Left Rack Side - Alum Only
27	1	1003391	Front Rack Assembly (10ft)
	1	1003665	Front Rack - Alum Only
	1	1026605	Winch Cable (10ft) Assembly
28	1	1003392	Rack Rear Assembly (10ft)
	2	1021317	Rear Cable (10ft) Assembly
	1	1003666	Rack Rear - Alum Only

Rack/Pulley Parts

QTY	PART NUMBER	DESCRIPTION
6	1004657	Brass Sheave 3.5 (Front/Rear)
4	1006916	Brass Sheave 3.75 (Side)
4	1006907	Bushing (Front)
4	1006909	Bushing (Rear)
8	1002208	Bushing (Side)
8	1002706	Vertical Roller
2	1000953	Cable Roller
2	1000952	Cable Roller Shaft

VERTICAL BOAT LIFT

Frame Assembly Instructions

⚠ WARNING -PUT SAFETY FIRST

NOT COMPLYING WITH THE PROCEDURES AND PRECAUTIONS OUTLINED IN THIS MANUAL MAY RESULT IN PERSONAL INJURY OR DEATH AND WILL INVALIDATE THE WARRANTY.

Your safety is the most important issue related to this product.

- Fully read and understand each step before proceeding with that step.
- Wear protective gloves, clothing and eyewear when assembling and installing the lift.
- Do not assemble, install or use this product if items are missing or damaged.

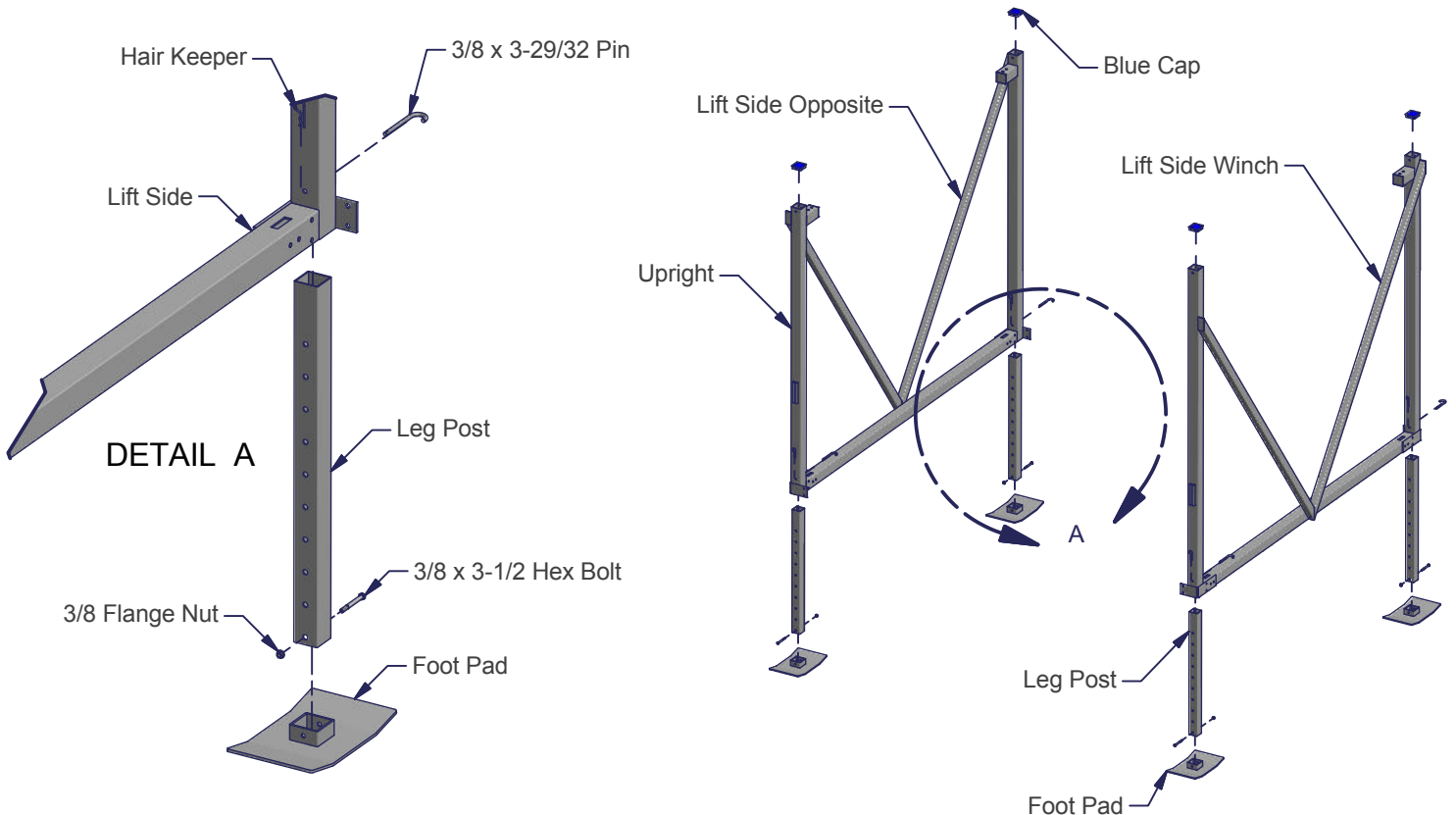
For ease of assembly find a flat area with plenty of room to assemble lift. The following tools will be needed for assembling lift:

1. Two 7/16" Wrenches
2. Two 9/16" Wrenches
3. One 3/4" Wrench
4. Measuring Tape
5. Hammer
6. 3/16" Allen Wrench
7. Tin Snips (to open bundle)

Only hand tighten bolts and nuts until lift is completely assembled.

STEP 1

Press in Blue Caps on Uprights as shown. Insert all four Leg Posts into Foot Pads. Secure using one 3/8 x 3-1/2 Hex Bolt and one 3/8 Brass Flange Nut in each place. Insert Leg Posts into Lift Sides as shown. Secure with one 3/8 x 3-29/32 Pin and one Hair Pin for each Leg Post. No washers are used at this time.

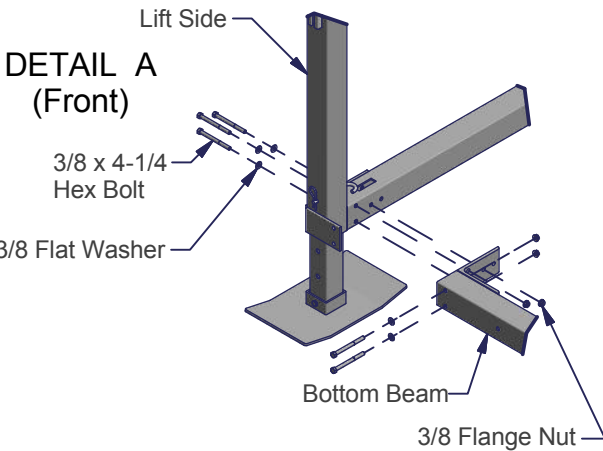


STEP 2

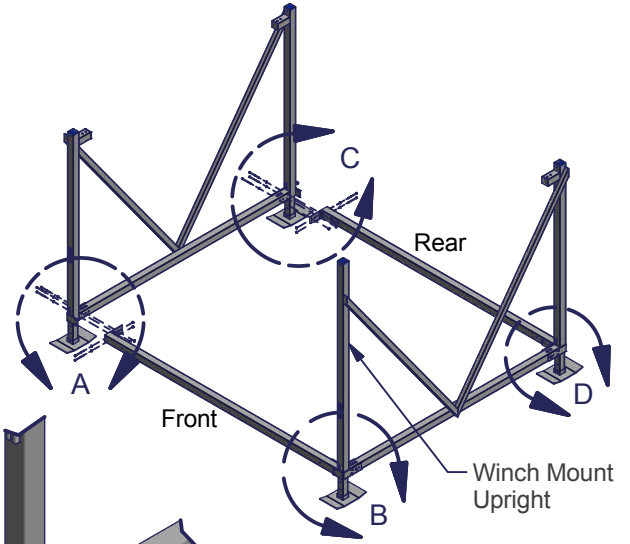
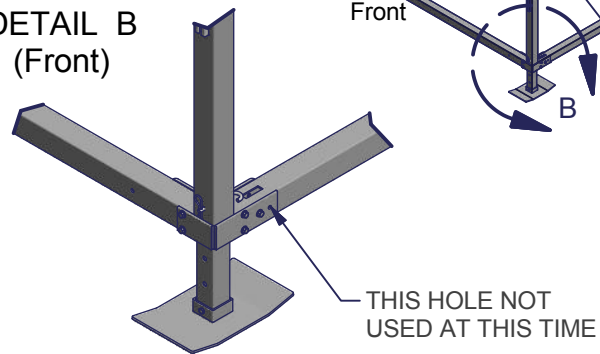
Attach one Bottom Beam to the front of both Lift Sides. Secure each end of the Bottom Beam with five 3/8 x 4-1/4 Hex Bolts, five 3/8 Flat Washers and five 3/8 Brass Flange Nuts - as shown in Detail "A."

Note: The front is indicated by the Winch Mount Upright - as shown.

Note: Bolt only five of the six holes at each corner at this time. The remaining hole will be used in a later step. See Detail "B" for the one connection hole (in each front corner) not used at this time.



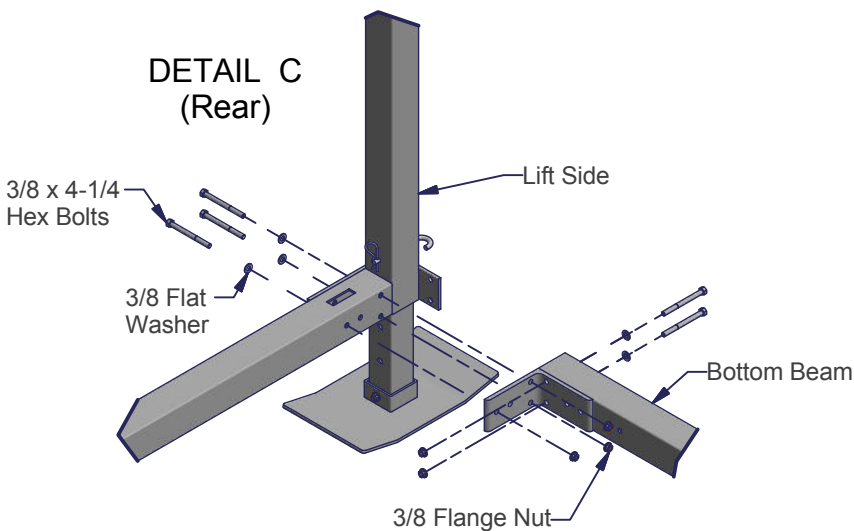
DETAIL B (Front)



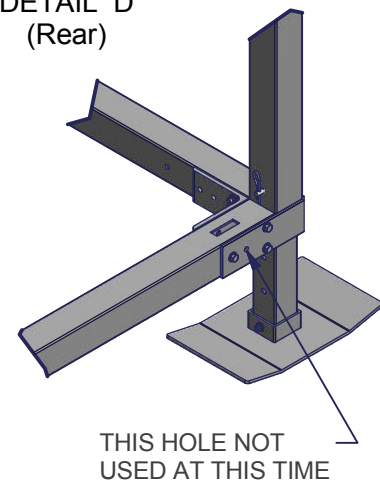
STEP 3

Attach the Bottom Beam to rear of the Lift Sides. Secure with 3/8 x 4-1/4 Hex Bolts, five 3/8 Flat Washers and five 3/8 Brass Flange Nuts - as shown in Detail "C."

Note: Bolt only five of the six holes at each corner at this time. The remaining hole will be used in a later step. See Detail "D" for the one connection hole (in each rear corner) not used at this time.



DETAIL D (Rear)



VERTICAL BOAT LIFT

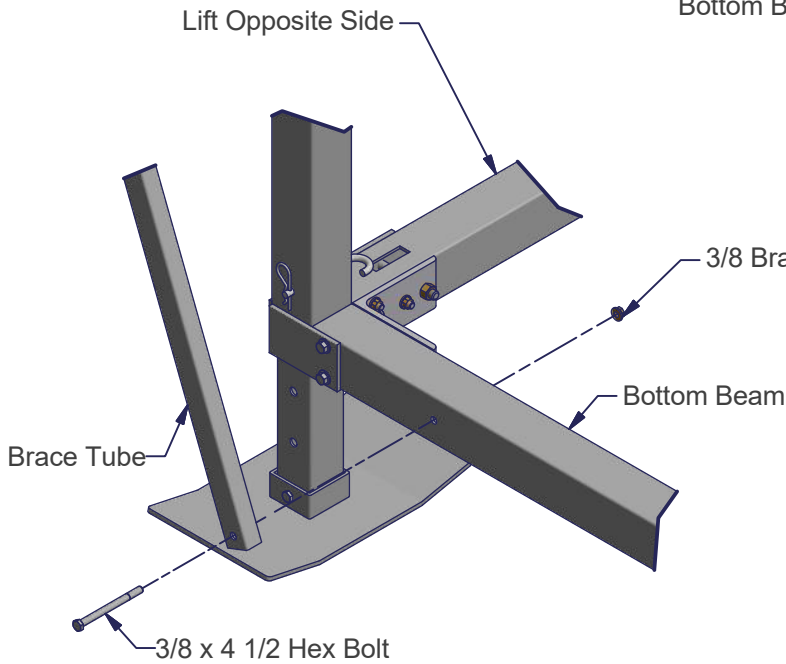
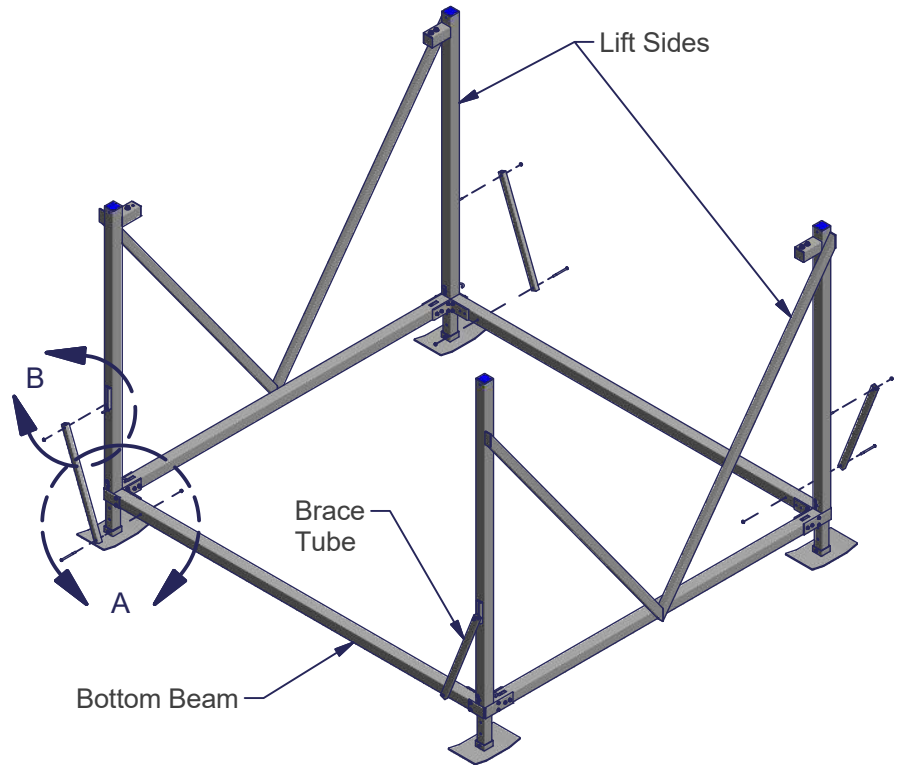
STEP 4

Attach the Brace Tubes to the Lift Sides and Bottom Beams.

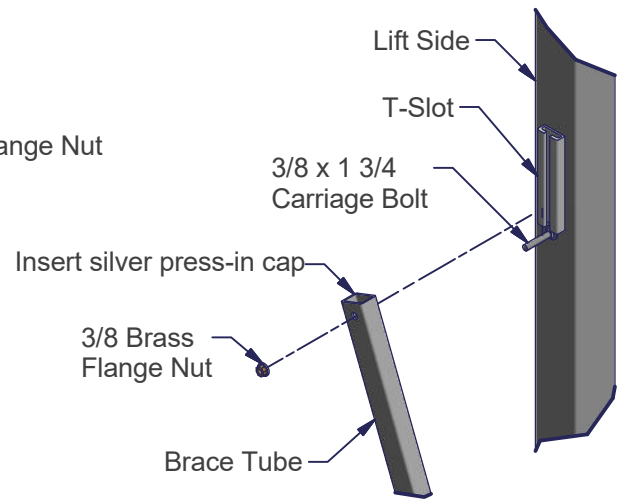
Secure each Brace Tube to the Bottom Beams with one 3/8 x 4 1/2 Hex Bolt, and one 3/8 Brass Flange Nut - as shown in Detail "A."

Secure each Brace Tube to the T-Slot of the Lift Sides with one 3/8 x 1 3/4 Carriage Bolt and one 3/8 Flange Nut - as shown in Detail "B."

Insert one silver press in cap into the top of each brace tube.



DETAIL A



DETAIL B

Note: To make sure lift sides are square, take two measurements between the two Lift Sides, one at the top and one at the bottom. The measurement should be the same at the top and bottom of the Lift Sides.

STEP 5

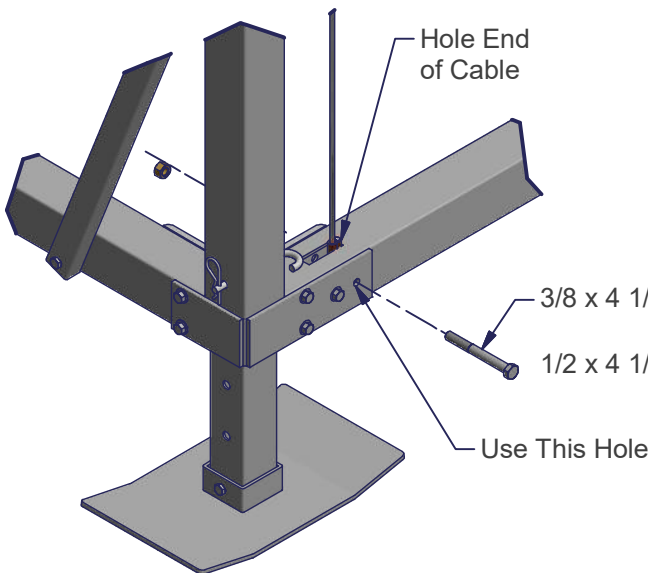
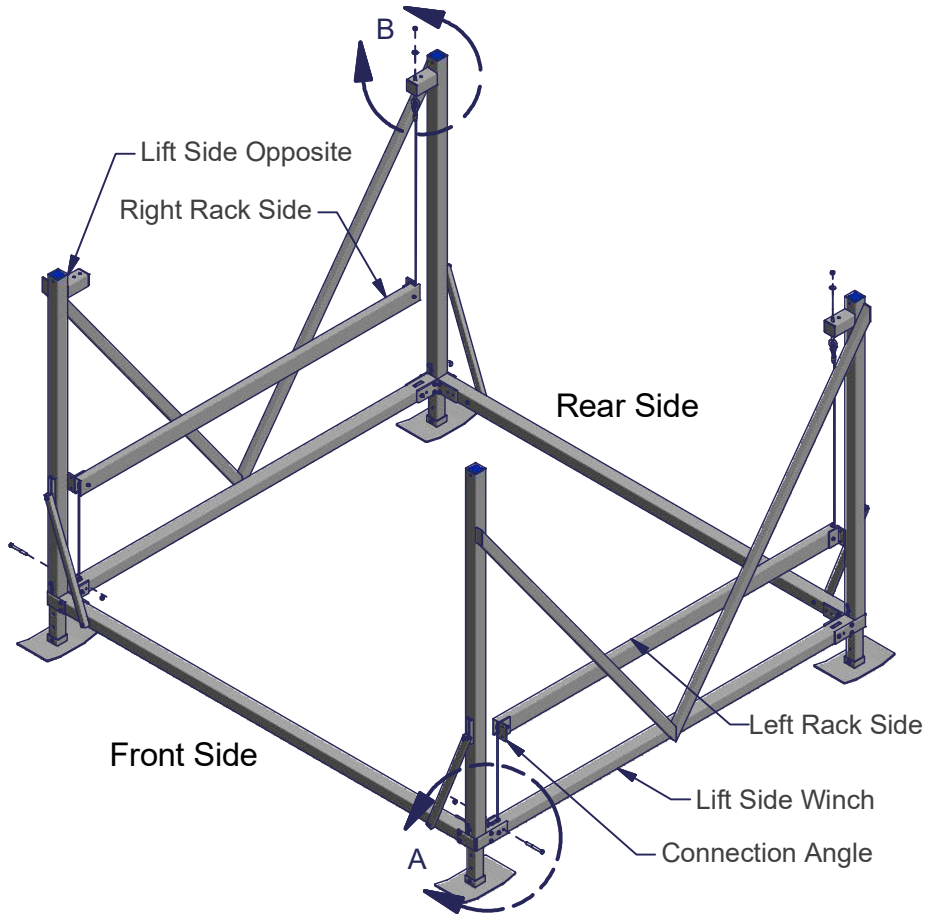
Place the Rack Sides in the Lift Sides as shown with Connection Angles facing out.

Set the Hole end of the cable into the slot in the front of the lift side. Secure with one 4-1/4 Hex Bolt, one Flat Washer and one Brass Nut - as shown in Detail "A."

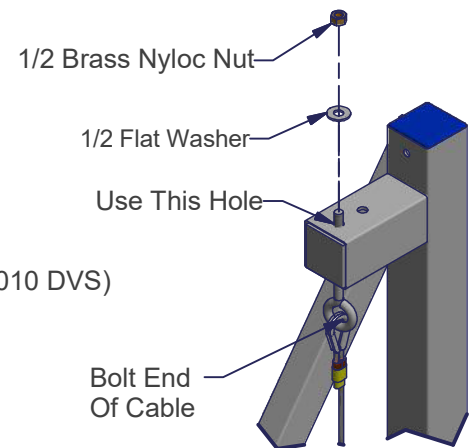
Note: 2-4000lb DVS lifts will use 3/8 hardware for the side rack cables. The 4010 pontoon lift, 5000 DVS, 5510 pontoon, and 6010 DVS will use 1/2 hardware.

Insert the Bolt end of the cable through the hole in the top of the Lift Side in the rear of lift. Secure with one 1/2 Flat Washer and one 1/2 Brass Nyloc Nut as shown in Detail "B".

Note: Be sure washer is in place on the bolt and that the 1/2 Brass Nyloc Nut is tightened so at least 1/4" of Bolt thread is exposed through the top of the nut.



DETAIL A



DETAIL B

VERTICAL BOAT LIFT

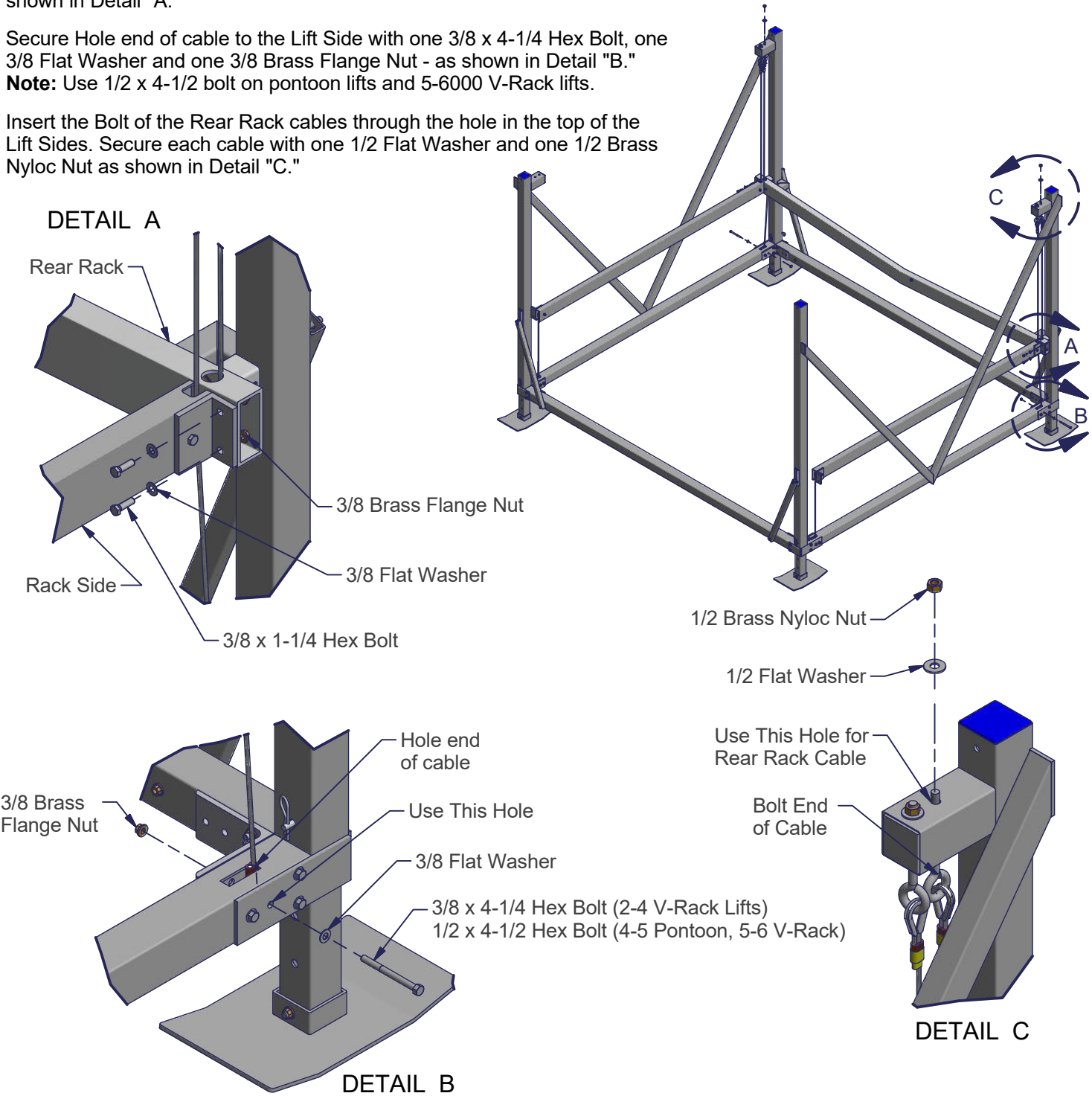
STEP 6

Attach the Rear Rack to the Rack Sides. Secure at each end with two 3/8 x 1-1/4 Hex Bolts, two 3/8 Flat Washers and two 3/8 Brass Flange Nuts - as shown in Detail "A."

Secure Hole end of cable to the Lift Side with one 3/8 x 4-1/4 Hex Bolt, one 3/8 Flat Washer and one 3/8 Brass Flange Nut - as shown in Detail "B."

Note: Use 1/2 x 4-1/2 bolt on pontoon lifts and 5-6000 V-Rack lifts.

Insert the Bolt of the Rear Rack cables through the hole in the top of the Lift Sides. Secure each cable with one 1/2 Flat Washer and one 1/2 Brass Nyloc Nut as shown in Detail "C."

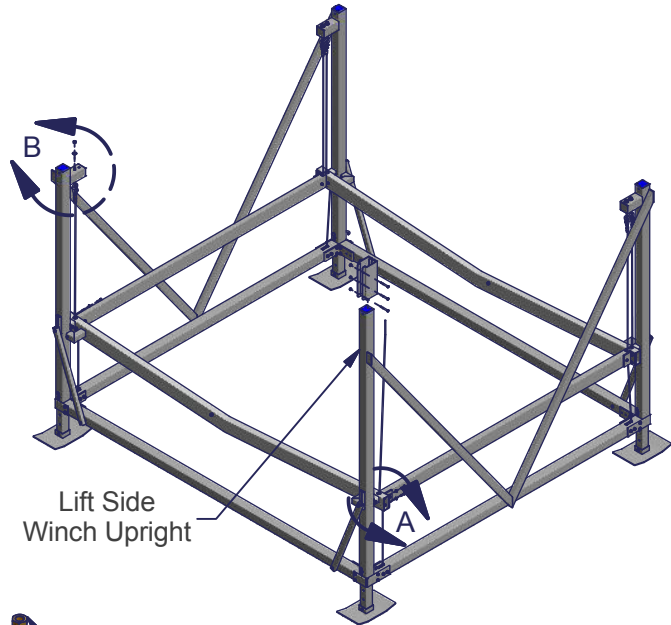


STEP 7

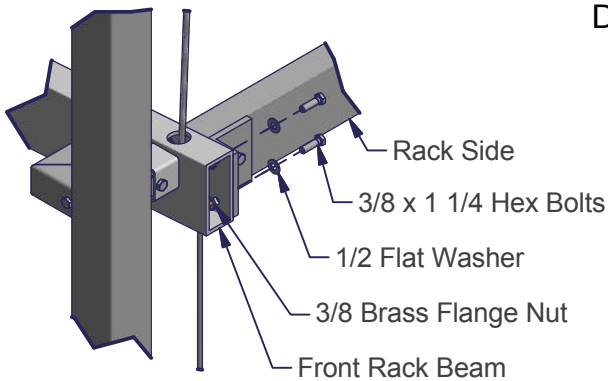
Set the Front Rack in place and attach to the Rack Sides. At each end secure with one 3/8 x 1 1/4 Hex Bolt, one 3/8 Flat Washer and one 3/8 Brass Flange Nut in two places as shown in Detail "A."

Insert the Eye Bolt of the Front Rack cable through the hole in the top of the Lift Sides. Secure with one 1/2 Flat Washer and one 1/2 Brass Nyloc Nut as shown in Detail "B." The other end of the cable is attached to the winch as shown in Winch/Wheel Instructions (included with the winch).

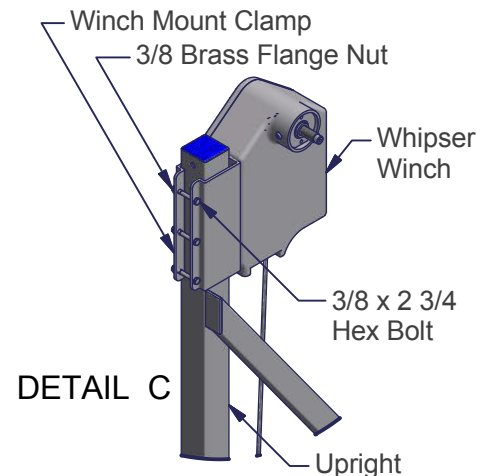
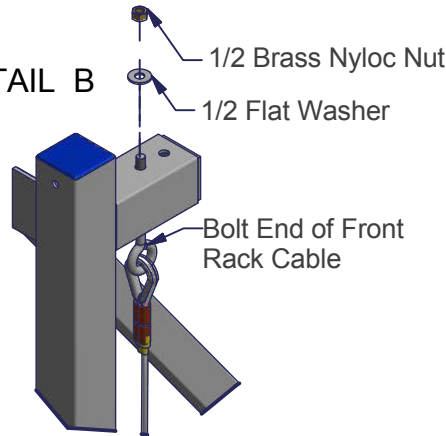
Note: There are five Eye Bolts to attach. See the drawing of Eye Bolts and cables to ensure correct location.



DETAIL A



DETAIL B



Note: Refer to winch installation instructions page.

STEP 8

Assemble Winch and Clamp according to next page. Slide Winch Mount with Whisper Winch onto Lift Side Winch Upright with the bolt holes facing the front of the lift (the left side of the lift when facing the Lift Side Winch). Secure Winch Mount by using three 3/8 x 2 3/4 Hex Bolts and three 3/8 Brass Flange Nuts - as shown in Detail "C."

The Winch Mount is attached to the Lift Side Winch Upright that is 12" longer than the three other Uprights, and the top should be flush with the top of Lift Side Winch Upright.

Note: On the 3000 Lifts with the Silent Brake Winch, this step must be done with the winch installed on the Winch Mount Clamp.

STEP 9

Now firmly tighten all nuts and bolts.

Note: Nyloc Nuts should not be reused, if one is removed it should be replaced with a new one.

Note: ShoreMaster bunks (sold separately), and winch wheel or winch motor are required in order operate the lift.

VERTICAL BOAT LIFT

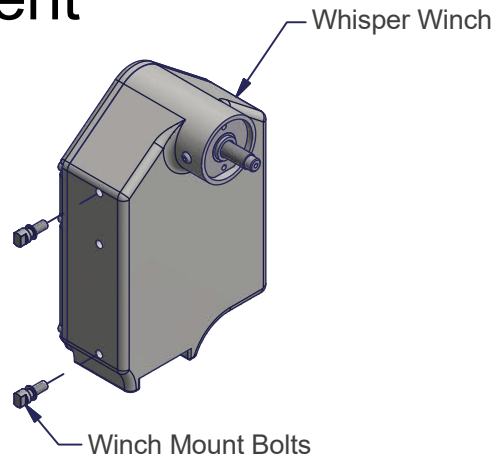
Whisper Winch Attachment

Part #: 1004488

Parts List		
QTY	PART NUMBER	DESCRIPTION
2	1000513	Winch Mounting Bolt
2	1000536	Set Screw 3/8-16 x .375 SS

STEP 1

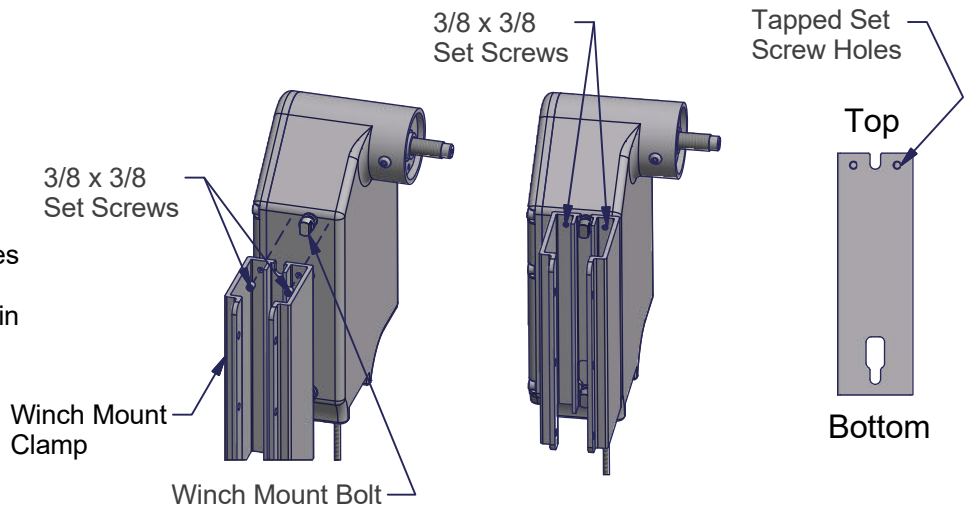
Attach the two Winch Mounting Bolts to the Whisper Winch. Make sure mounting bolts are fully threaded into winch case - as shown.



STEP 2

Insert the the Winch Mounting Bolts into the Mounting Slots of Winch Mount Clamp - as shown.

Thread two 3/8 x 3/8 Set Screws into the holes at the top of the Winch Mount Clamp and tighten against the Whisper Winch, locking it in place - as shown.



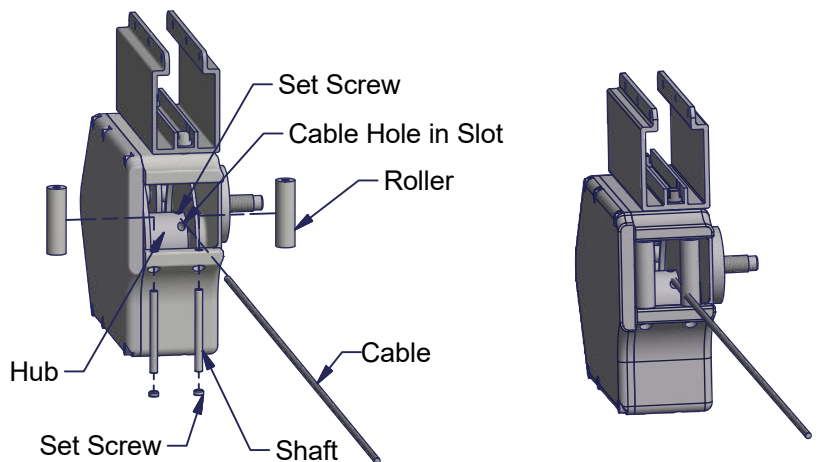
STEP 3

Loosen Bottom Set Screws in the case of the Whisper Winch. Remove the Shaft and Roller to access the Hub - as shown.

Slide the end of the cable into the Slotted opening on the Hub. Tighten the Set Screw in the winch hub using a 5/32" allen wrench to secure the cable to the Hub - as shown.

Replace the Roller, Shaft and Set Screw.

Note: Cable must run between Rollers and enter at slotted end of opening through hub as shown. Slide cable fully into hub opening. However do not go so far that the cable sticks out the other side of hole. This would interfere with proper cable wrapping.



Integrated Winch to Winch Clamp Instructions (4k & 5k Lifts)

- Part #: 1026584 - 12/24 Volt w/ Key
 1026585 - 12/24 Volt w/ Wired Remote
 1026586 - 12/24 Volt w/ Wireless Remote
 1026587 - 120 Volt w/ Key
 1026588 - 120 Volt w/ Wired Remote
 1026589 - 120 Volt w/ Wireless Remote
 1026581 - (Bolt Bag)

Failure to follow instructions may result in personal injury and may invalidate the applicable warranty.

Step 1. Unscrew the four phillips screws and take the lid plate off.

Step 2. Take out the four 7/16" bolt that hold the back plate on and remove the back plate.

Step 3. Place a 1/2" lock washer on both 1/2" Hex Bolts and insert them through the back plate and finger tighten a flat washer and nyloc nut.

Step 4. Slip the winch clamp on between the lock washers and back plate and tighten securely.

Step 5. Follow Step 2 and then Step 1 to reassembly the winch box.

Note: Be sure to use the short hex bolts to secure the bottom holes and do not over tighten.

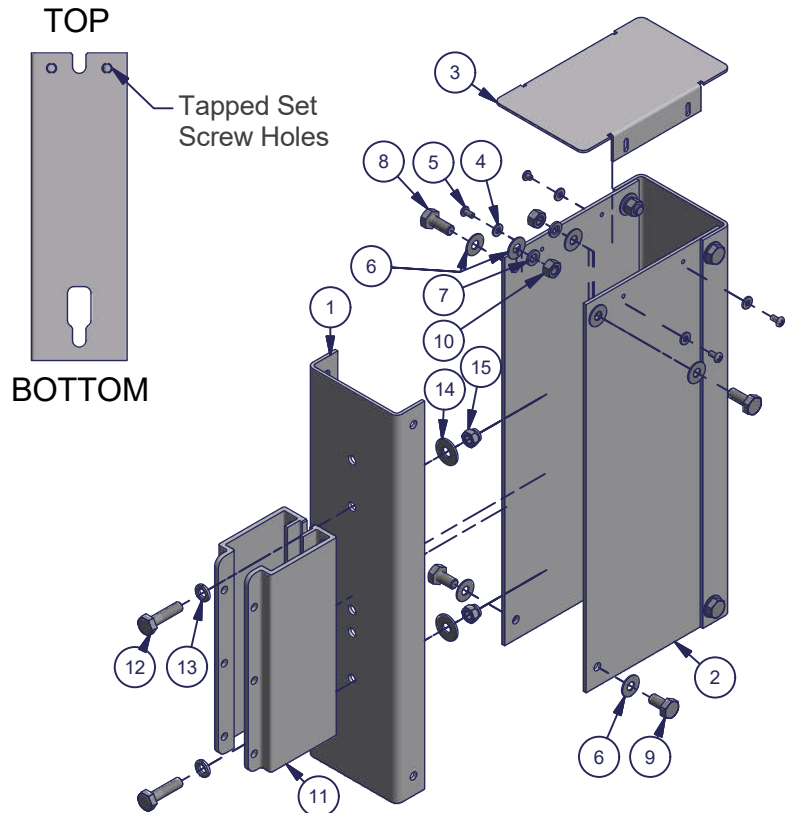
Winch Mounting: Slide winch clamp and integrated winch over winch leg tube and tighten 1" down from top of tube. **NOTICE** If winch clamp is moved further down than 1" there is an increased chance of the cable contacting the lift side v-brace.

Cable Attachment: Insert cable into the bottom hole of the winch drum. Do not let cable exit through the other end of the drum. Hold cable in position and operate winch down, until there is access to tighten the hex key set screw and tighten. Keep tension on the cable until lift rack starts to raise (pull back on the cable, like a bow string, through the bottom of the lift side diagonal). If rack is lowered and slack is obtained in the winch cable, unwind cable out completely and re-wind cable back onto drum, as noted above.

Parts List			
ITEM	QTY	PART NUMBER	DESCRIPTION
1	2	-	Integrated Winch Back Plate
2	2	-	Integrated Side Plate
3	1	-	Integrated Lid Plate
4	4	-	1/4" Flat Washer
5	4	-	Phillips Headed Screws
6	15	-	7/16" Flat Washer
7	4	-	7/16" Lock Washer
8	4	-	7/16" Hex Bolts (longer, top ones)
9	4	-	7/16" Hex Bolts (shorter, bottom ones)
10	4	-	7/16" Hex Nuts
-	1	1026581	Bolt Bag Integrated Winch Mount
11	1	1001791	Prt Winch Mount - Clamp-On Milled
12	2	1002379	1/2" x 2.0 Hex Bolt
13	2	1000453	1/2" Lock Washer
14	2	1000475	1/2" Flat Washer
15	2	1001795	1/2" Nyloc Nut

Tools Needed:

- Phillips Screw Driver
- 9/16" Socket
- 9/16" Wrench
- 3/4" Socket
- 3/4" Open Ended Wrench
- 1/4" Allen Wrench



VERTICAL BOAT LIFT

Spinner Knob Instructions

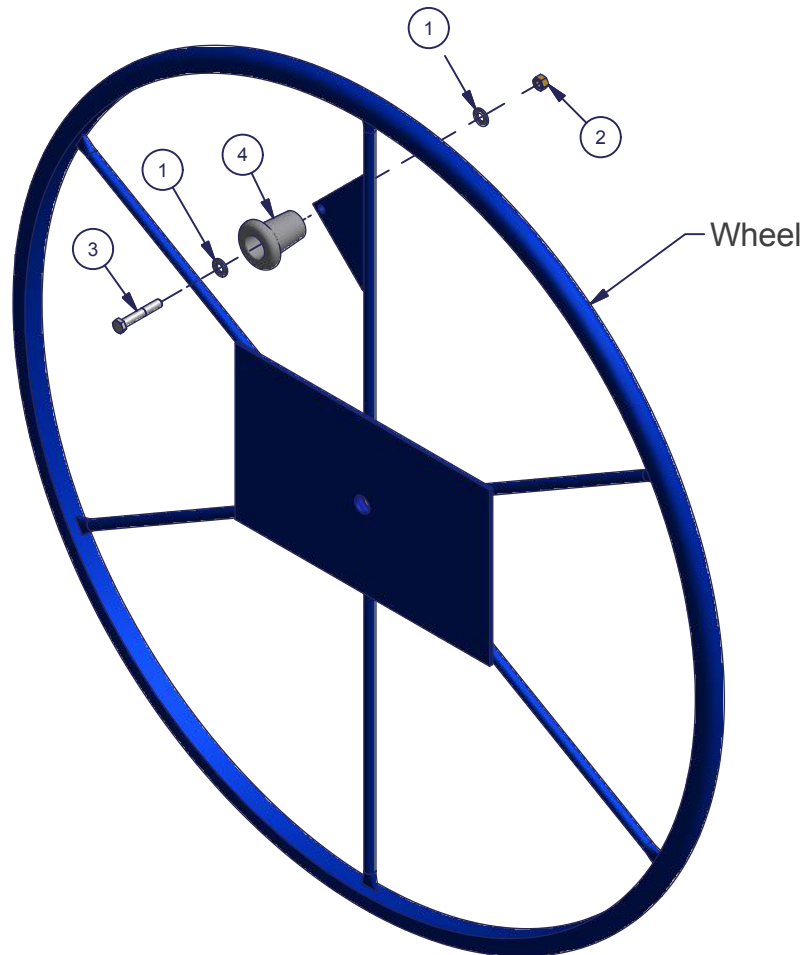
Part #: 1004493

Parts List			
ITEM	QTY	PART NUMBER	DESCRIPTION
1	2	1000446	Washer Flat 3/8 SS 304
2	1	1001805	Nyloc Nut 3/8 - 16 Brass
3	1	1002429	Bolt Hex 3/8 - 16 x 2.25 SS 304
4	1	1024900	Spinner Knob - Plastic

Assembly:

Secure with one 3/8 x 2-1/4 Hex Bolt and one 3/8 Flat Washer through Spinner Knob then into Wheel through the hole as shown. Fasten with 3/8 Flat Washer and one 3/8 Brass Nyloc Nut.

Note: Do not tighten so Spinner Knob doesn't spin!



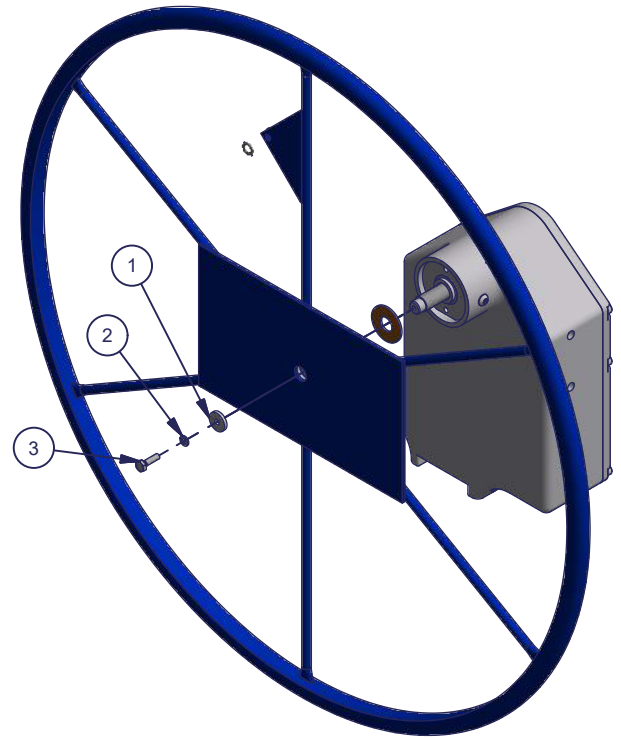
Wheel Kit - Whisper Winch

Part #: 1016149

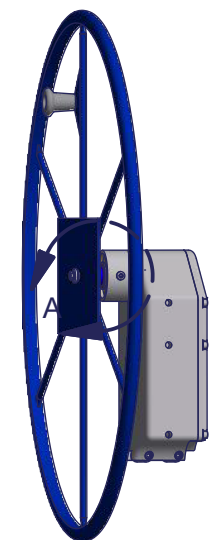
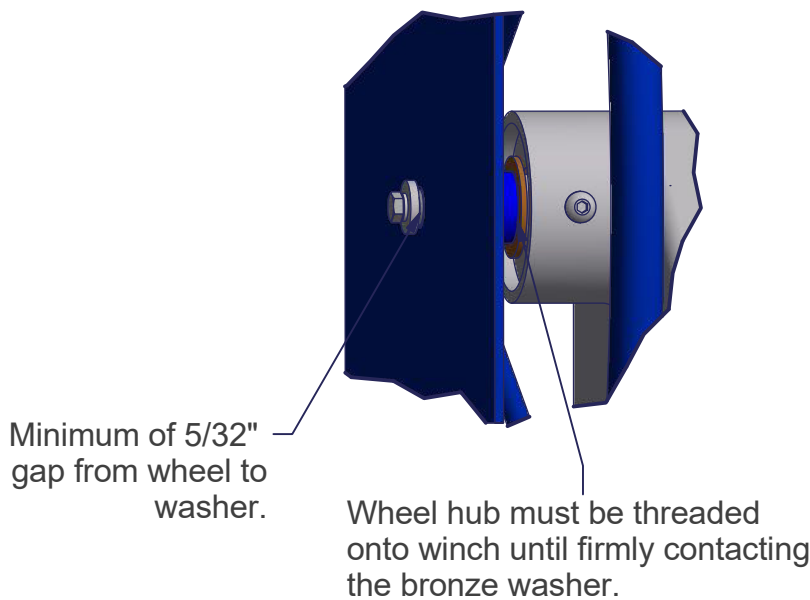
Parts List			
ITEM	QTY	PART NUMBER	DESCRIPTION
1	1	1000554	Aluminum Washer
2	1	1002606	Lock Washer 5/16
3	1	1002453	Bolt 5/16 x 1.0

Assembly Steps

1. Thread wheel onto winch by spinning clockwise until wheel hub is fully against the bronze washer.
2. Use washer provided on the provided bolt to allow for a minimum of 5/32" gap between wheel and spacer.
3. Place the lock washer and provided aluminum washer on provided bolt and tighten.

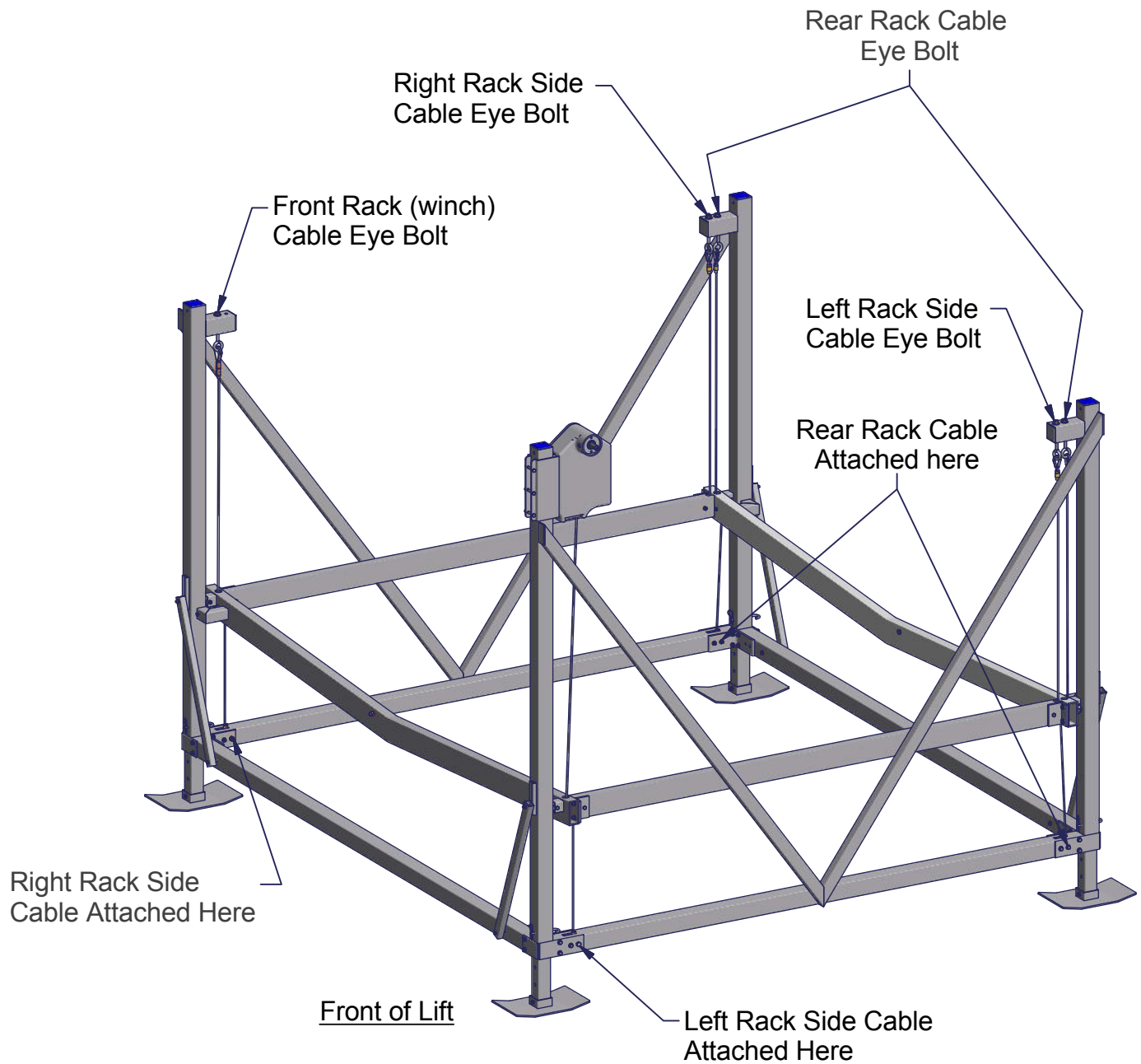


DETAIL A



VERTICAL BOAT LIFT

Proper Cable Locations



WARNING

To avoid personal injury be sure washer is in place and that Nyloc Nut is tightened so at least 1/4" is exposed. Failure to attach cables, Eye Bolts, Washers and Nyloc Nuts correctly could result in a severe crushing, cutting or pinching injury. Severe damage to lift or boat could also occur.

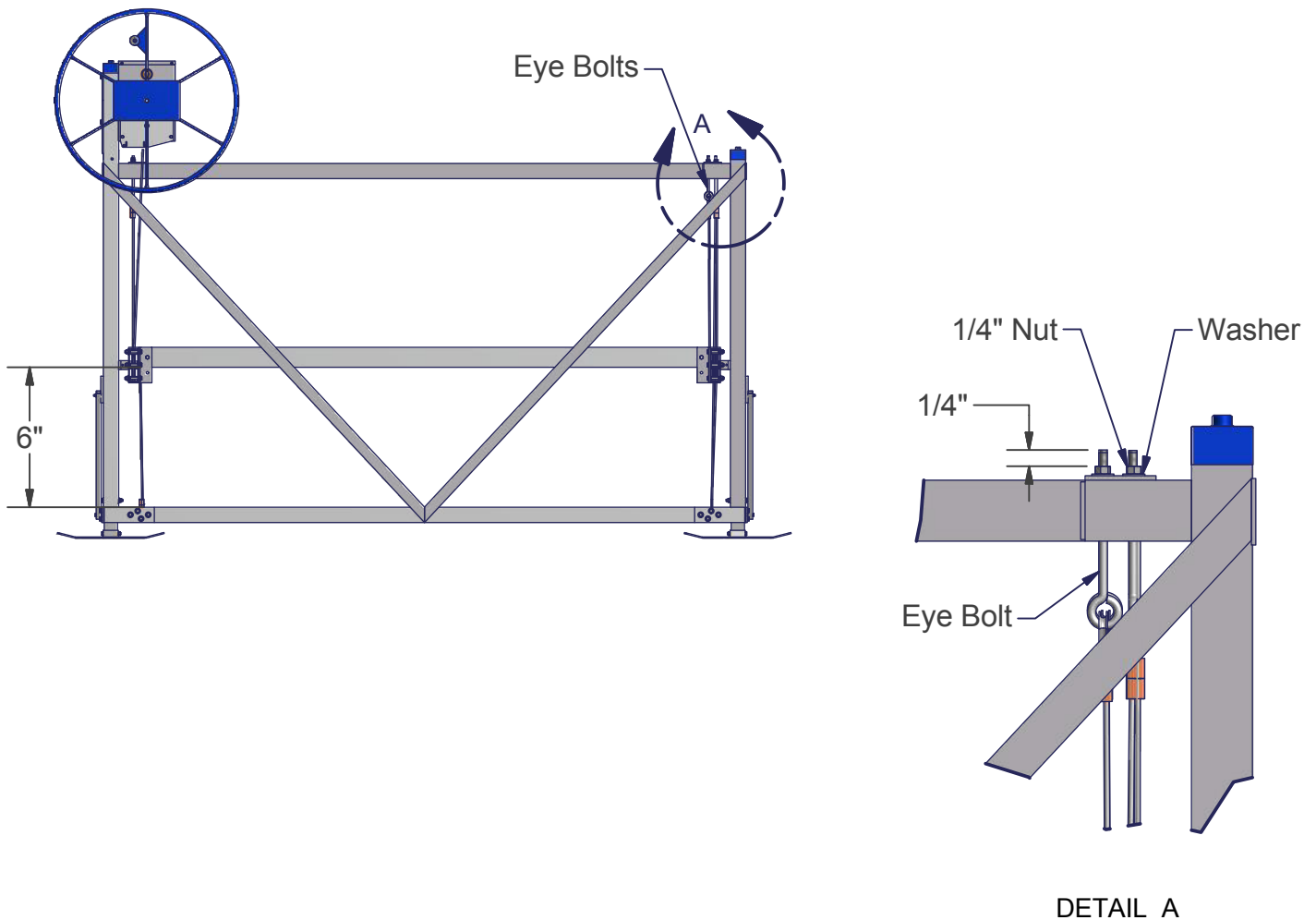
Proper Cable Adjustment

There are four cables with Eye Bolts and nuts that must be adjusted to properly level cables. These Eye Bolts are all located near the rear uprights as shown.

Turn wheel so front rack beam raises about 6" above the bottom of frame. Adjust cables so all corners of rack are the same distance from frame.

Note: Adjust the cable length by turning the nut on top of the Eye Bolt. Hold the Eye Bolt stationary while adjusting the top nut. Using the frame below the rack as your reference point, measure the distance from frame to rack in each corner. These distances should all be within a 1/4 inch.

Note: Be sure washer is in place and that Nyloc Nut is tightened so at least 1/4" of Eye Bolt thread is exposed. 3/4" is a good starting point for leveling the Rack.



DETAIL A

INSTALLATION INSTRUCTIONS

Warning: Do not under any circumstances, endanger yourself or risk damage to your lift or boat when installing.

- Situations will widely vary between installation sites. ShoreMaster recommends that your dealer or other trained boat lift installer train you and perform the initial installation.
- Wear protective gloves, clothing and eyewear when assembling and installing the lift.
- Do not assemble, install or use this product if items are missing or damaged.

The following are guidelines or suggestions for installation:

STEP 1

Measure the water depth of the position you want to locate the lift. Measurements should be taken at both the projected position of the end nearest shore and the end furthest from shore.

STEP 2

Before installing, adjust lift legs so the boat can float into position before raising, while still allowing a high enough position so the boat can be fully raised up and out of the water.

STEP 3

Carry, lift or slide the lift into position alongside the dock.

STEP 4

Ensure that your lift is level. Measure the distance from the top of the cross beam to the water surface. The distance at each of the four corners of the lift should be within two inches of each other. If they are not, adjust the legs accordingly.

Note: If the lift legs will extend 3 feet or more, ShoreMaster recommends deep water braces to stabilize and strengthen the lift. Ask your dealer for more information.

WARNING

To avoid personal injury the lift must be resting on the water bottom in a level, secure and stable position for safe operation. An unstable lift installation could result in tipping of the lift during operation, causing damage to watercraft and a crushing or pinching injury to the operator or bystanders.

STEP 5

Position the Bunk Bracket to fit watercraft so that it does not come in contact with the frame of the lift. After loading and operation the lift, proceed to the operating instructions, remove the boat and recheck that the lift remains level.

OPERATING INSTRUCTIONS

WARNING

When first using the boat lift after installation, the weight of the boat may cause the lift to settle and become unbalanced. To avoid personal injury make sure people are not in the immediate vicinity of the lift until you are certain the lift has stabilized.

Now that you have installed and leveled the lift, you are ready to raise your boat for the first time. Prior to use, see to it that anyone who may use the lift looks upon the unit not as a toy but a piece of heavy equipment that deserves your respect and good judgment.

- Before allowing anyone to operate the lift, be sure they fully understand the proper operating procedure.
- Do not exceed maximum capacity of the lift; overloading may cause mechanical failure and serious personal injury.
- Do not allow anyone who is in the water within six feet of the lift.
- Do not allow anyone on, in or under the lift while operating.

When operating the lift, the following procedures should be adhered to:

STEP 1

Be sure the lift rack and cradles or bunks are positioned below the water surface so they will not interfere with the boat floating into position.

STEP 2

Properly balance and center the boat on the lift prior to raising. The boat should be positioned with the center of gravity near the middle of the lift. For most rear engine mounted boats, this requires you to position the boat somewhat forward in the lift.

STEP 3

Turn wheel in direction of arrow (clockwise) to raise lift. A clicking sound is heard when properly raising lift. Turning wheel and wrapping cable in wrong direction may cause fast spin down of wheel.

WARNING

To avoid injury stay clear of lifts (facing wheel) while operating. Do not allow anyone on, in or under lift. A cable or lift part failure can cause a sudden drop of boat, resulting in a crushing or falling injury or death! Do not touch wheel or attempt to stop it if fast spin down of wheel occurs. Placing hands or feet on spinning wheel can cause broken or cut limbs.

STEP 4

Carefully bring the lift up until the bunks or cradles have secured the boat. Then, stop the lift and check to see that the bunks or cradles have automatically positioned themselves to the shape of the hull, as they are designed to do. If so, continue bringing the boat out of the water until it is about one foot above the surface. Stop the lift again and check the stability of the lift, particularly to see that it is fairly level and will not topple over. Finally, continue lifting the boat while paying close attention to the positioning of the lift until it is at its desired height.

VERTICAL BOAT LIFT

STEP 5

After loading and operating the lift, remove the boat and recheck that the lift remains level. (See Step 4 of the Installation Instructions.) If the lift is not level, the legs should be adjusted accordingly. Because the lift may settle and become unbalanced, the lift levelness should be rechecked two weeks after installation and periodically as needed.

STEP 6

If lift is without a boat in it for more than one day, raise the rack (pulleys) fully out of the water to help prevent corrosion of these parts. At all times, make sure the boat is stored high enough out of the water to avoid wave action against the hull. A moving boat as a result of wave action will damage the lift and can take the boat off the lift.

NOTICE

1. Do not over raise lift rack. Stop before top of rack hits cable loops attached to Eye Bolts. Over raising could cause damage to winch, cables or other parts.
2. Do not over lower rack so slack develops in cable. Doing this could cause cable to jump off winch spool. This may result in sloppy wrapping of cable next time you raise the lift, resulting in premature wear or cable breaking. Turn wheel down one or two turns past point when craft begins to float (This must always be at some point before lift rack is contacting rear bottom beam). Then turn wheel up slightly until clicking sound is heard to secure wheel position and brake on winch.
3. Properly cover your boat, or pull your boat's plug when the boat is in a raised position. Rain water accumulating in your bilge can quickly increase your gross weight over the capacity of the lift.
4. Do not leave lift, or boat on lift, in water if ice formation is possible. Ice can severely damage your boatlift.

SAFETY MAINTENANCE

Monthly Checks

Check cables for frays, corrosion or breaks at least once a month. A cable breaking while boat is in lift could damage boat or lift. Severe bodily injury could also occur.

Spring and Falls Checks

1. Inspect nuts and bolts for damage, wear or loose connections. Tighten or replace parts as needed.
2. Inspect lift frame, pulleys, winch and pivot points for unusual wear, damage or bent parts. Replace or repair as needed.
3. Check that the rack is level with the bottom frame of your lift. Cable stretching or settling of lift could require you to adjust nuts on Eye-Bolts.
4. Lubricate winch and wheel threads. Do not get lubricant on brakepads! Brake will fail and wheel will spin down if brake pads are lubricated.
5. Check and lubricate pulleys to ensure that they are turning freely.
6. Check Eye-Bolts to make sure they are not working themselves loose.