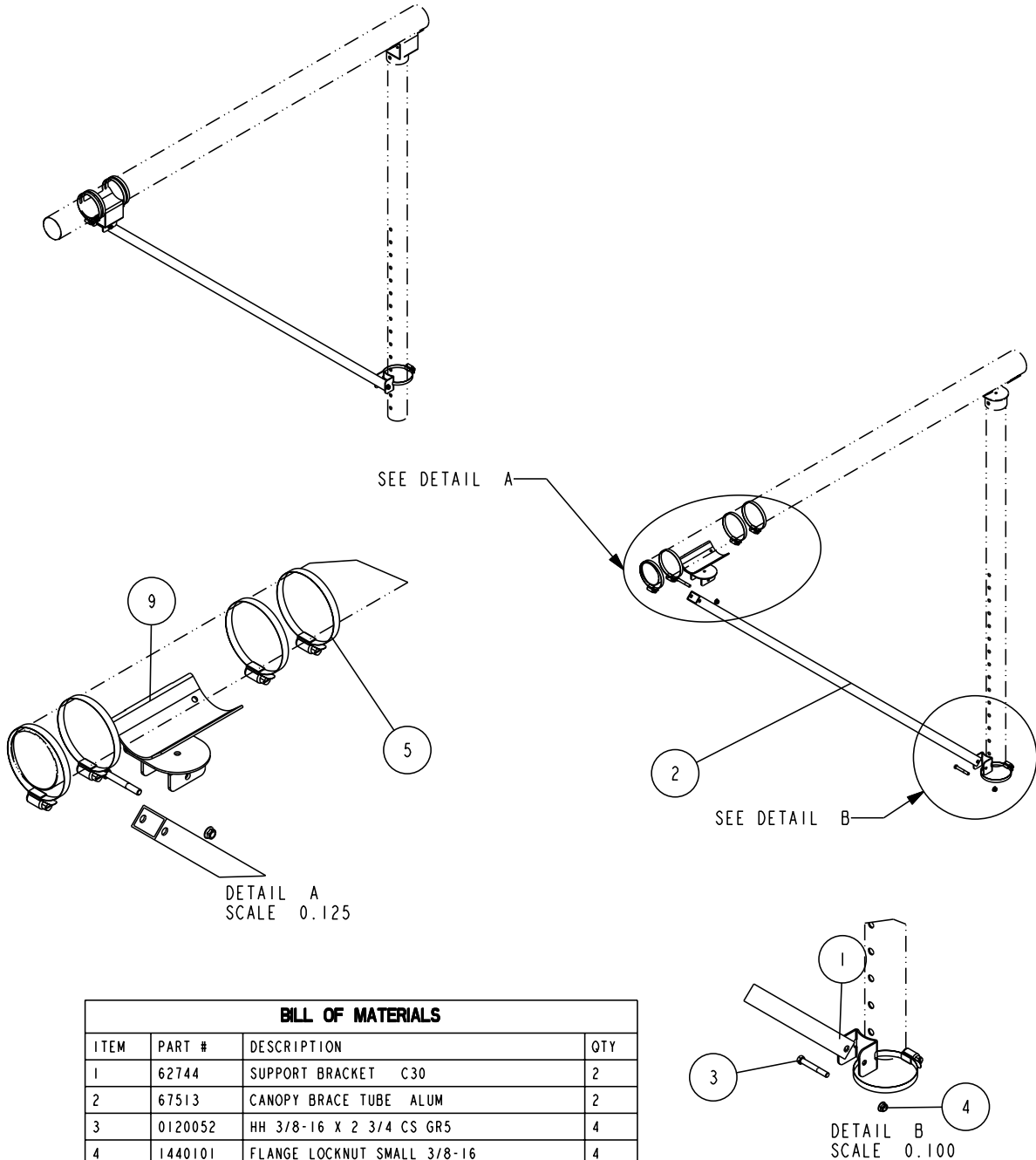


### HA0007

**Brace Tube Bundle for 26' Canopy Frame - Standard**  
**Brace Tube Bundle for 30' Canopy Frame - Standard**



BILL OF MATERIALS			
ITEM	PART #	DESCRIPTION	QTY
1	62744	SUPPORT BRACKET C30	2
2	67513	CANOPY BRACE TUBE ALUM	2
3	0120052	HH 3/8-16 X 2 3/4 CS GR5	4
4	1440101	FLANGE LOCKNUT SMALL 3/8-16	4
5	3610162	HOSE CLAMP N-STYLE STAINLESS	10
6	3900524	ALUM TUBE 4 OD X .072 W X 83.25 IN	2
7	A167	CANOPY EXTENSION LEG 72"	2
8	A209	SUPPORT CUP WITH 3 1/2 OD TUBE	2
9	A387	SUPPORT CUP WITH CHANNEL C30A	2

## HA0007 BRACE TUBE INSTALLATION INSTRUCTIONS

HA0007 is a support brace designed to give additional support to the longer Shore Station canopy side frames.

### INSTALLATION INSTRUCTIONS

HA0007 is designed to be installed on the end of the canopy that extends the greater distance past the upright post of the hoist. This usually is the front of the canopy or the end that corresponds with the front of your boat when it is in the hoist.

Position the canopy forward or backward on the hoist so it is in the desired location that will give your boat maximum protection from the elements. Also adjust your canopy to the desired height. When the final location is established the HA0007 Brace Tube Assemblies can now be added as follows:

Break the bundles and sort all items by size.

Locate a 62744 support bracket (Ref. No. 1). Unscrew a hose clamp until the end comes out of the mechanism. Place the open hose clamp around the canopy leg or upright post of the hoist, then thread the end of the hose clamp through the slotted holes provided in the support bracket. Thread the hose clamp back together. Place the support clamp so it is approximately 66" from the bottom of the side frame tube to the support bracket. **THIS DIMENSION IS DEPENDANT ON THE LENGTH OF CANOPY LEG YOU ARE USING. THE SUPPORT BRACKET MUST NEVER BE MOUNTED BELOW THE WINCH TUBE BECAUSE IT WILL INTERFERE WITH THE PLATFORM WHEN RAISED.** Tighten the hose clamp enough to hold the bracket in this location for now. Repeat this process on the other support bracket and the other canopy leg.

Attach one end of the canopy brace tube to the support bracket on the canopy leg with a 3/8" x 2 -3/4" hex bolt and flange lock nut. Locate an A387 support cup (Ref. No. 6). Attach the support cup to the brace tube with a 3/8" x 2 -3/4" hex bolt and flange lock nut. Position it so that the open side of the curved portion of the support cup is towards the outside of the canopy side frame. This is important because the side pocket of the canopy cover will be drawn around the side frame tube into this area when it is installed.

Swing the support cup and the brace tube upward until it comes up against the bottom side of the side frame. The support cup must be between the canopy bows so it can be properly attached to the side frame. Place a location mark. Note that this is only a starting location and may vary from this once the assembly and final adjustment is complete. If the support cup will mate to the side frame between the canopy bows, tighten the hose clamps securing the support brackets to the canopy legs.

Unscrew four hose clamps until the end comes out of the mechanism. Place the hose clamps around the 4" OD side frame tube in the marked location and thread the hose clamps back together until the threads are engaged. Note that two hose clamps will be placed on each end of the support cup to mount it to the side frame.

Place the support cup against the bottom of the side frame. Slide one of the hose clamps on each end of the support cup. Check the canopy side frame for being straight. Raise if necessary until straight, then tighten the hose clamps securing the support cup to the side frame making sure that the tightening mechanism is positioned so it will not interfere with the canopy cover when it is mounted. Place on the second hose clamp on each end.

Tighten all hose clamps and nuts left loose during the assembly.

Assembly is complete.