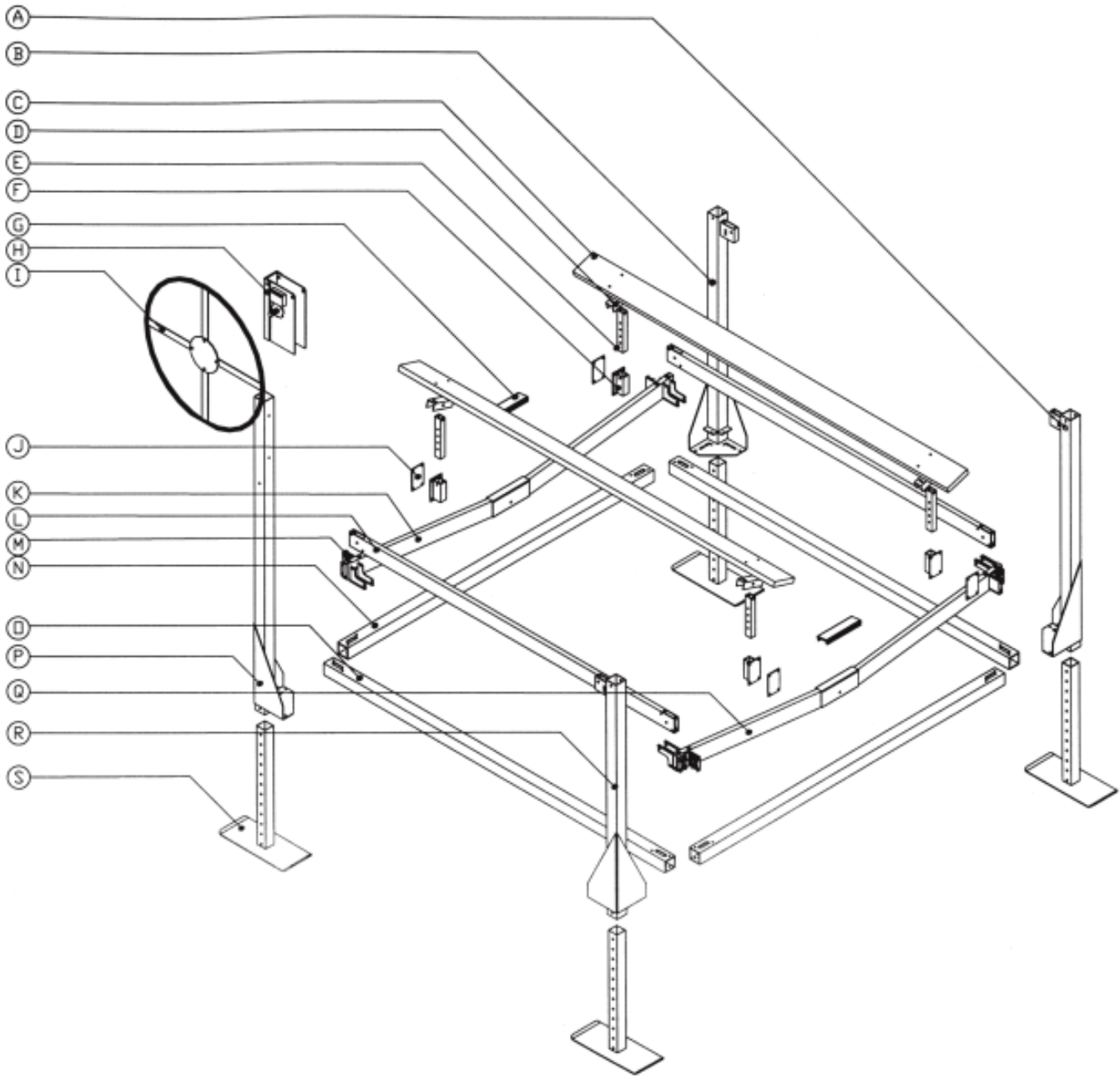


# LSV30/40B



# LSV30/40B

Lakeshore Lift Vertical, 3000/4000lb. cap., 108"/120" Beam, 54" Lift Height.

## PARTS LIST LSV30108B

ref.	part no.	part name	qty	retail price
A	<b>20834</b>	Mainframe Post #3	1	\$209.00
B	<b>20833</b>	Mainframe Post #2	1	\$209.00
C	<b>BUNK4000B</b>	Bunk Assembly	2	\$90.00
D	<b>BU07</b>	Bunk Channel	4	\$10.00
E	<b>BDL12</b>	Bunk Down Leg	4	\$15.00
F	<b>20676</b>	Bunk Socket	4	\$26.00
G	<b>20855</b>	Cradle Cover	2	\$15.00
H	<b>W4</b>	Large Winch	1	\$425.00
I	<b>LS2005B/20886</b>	41" Wheel/Shaft Adapter	1/1	\$125.00/\$50.00
J	<b>20678</b>	Bunk Socket Plate	4	\$11.00
K	<b>20838F</b>	Cradle Front	1	\$275.00
L	<b>20839</b>	Cradle Spreader	2	\$100.00
M	<b>20862</b>	Cradle Roller Kit	4	\$30.00
N	<b>20836</b>	Mainframe Spreader 108"	2	\$132.00
O	<b>20837</b>	Mainframe Spreader 120"	2	\$143.00
P	<b>20832</b>	Mainframe Post #1	1	\$235.00
Q	<b>20838R</b>	Cradle Rear	1	\$275.00
R	<b>20833</b>	Mainframe Post #4	1	\$209.00
S	<b>20835</b>	Leg Weld Assembly 36"	4	\$60.00

## PARTS LIST LSV30120B same as LSV30108B with the addition of:

ref.	part no.	part name	qty	retail price
K	<b>20861F</b>	Cradle Front	1	\$300.00
N	<b>20837</b>	Mainframe Spreader 120"	2	\$143.00
Q	<b>20861R</b>	Cradle Rear	1	\$300.00

## PARTS LIST LSV40108/120B same as LSV30108/120B with the addition of:

ref.	part no.	part name	qty	retail price
	<b>20840</b>	Diagonal Brace	4	\$75.00
	<b>20860</b>	Diagonal Bracket	2	\$25.00
	<b>20863</b>	Bolt Package for Diagonal	1	\$8.00

## REPLACEMENT PARTS LIST Cables, Sheaves, Caps

ref.	part no.	part name	qty	retail price
	<b>20856</b>	Cable Front 108B I 5/16" X 260" galv	1	\$38.00
	<b>20858</b>	Cable Front 120B K 5/16" X 272" galv	1	\$38.00
	<b>20857</b>	Cable Side 108/120B, Rear 108B J 5/16" X 181.5" ss	4/2	\$80.00
	<b>20859</b>	Cable Rear 120B L 5/16" X 193.75" ss	2	\$80.00
	<b>20532B</b>	Pulley Sheave 3.75" Brass Kit Single Front/Side	6	\$40.00
	<b>20531</b>	Pulley Sheave 3.5" Steel Kit Double Rear	2	\$44.00
	<b>20889</b>	Cradle Roller Kit B	16	\$5.00
	<b>DEM3535</b>	Cap Red Plastisol 3.5" x 3.5"	4	\$3.00

## BOLT LIST BPV30B

part no.	part name	qty	retail price	part no.	part name	qty	retail price
<b>20848</b>	<b>STEP 1</b>			<b>Y508</b>	1/2" x 2" hex bolt	2	\$ .50
<b>Y418</b>	3/8" x 4-1/2" hex bolt	16	\$ .50	<b>Y551</b>	1/2" hex lock nut	2	\$ .50
<b>Y451</b>	3/8" hex lock nut	16	\$ .50	<b>SHACKLE</b>	3/8" shackle	2	\$ .50
<b>Y452</b>	3/8" flat washer	16	\$ .50	<b>20851</b>	<b>STEP 4</b>		
<b>CP1</b>	3/8 x 4" bent clevis pin	4	\$2.00	<b>Y410</b>	3/8" x 2-1/2" hex bolt	4	\$ .50
<b>HPC</b>	1/8" hairpin cotter	4	\$1.00	<b>Y451</b>	3/8" hex lock nut	4	\$ .50
<b>20849</b>	<b>STEP 2</b>			<b>Y508</b>	1/2" x 2" hex bolt	2	\$ .50
<b>Y420</b>	3/8" x 5" hex bolt	2	\$ .50	<b>Y551</b>	1/2" hex lock nut	2	\$ .50
<b>Y451</b>	3/8" hex lock nut	2	\$ .50	<b>SHACKLE</b>	3/8" shackle	2	\$ .50
<b>Y508</b>	1/2" x 2" hex bolt	1	\$ .50	<b>20852</b>	<b>STEP 5</b>		
<b>Y551</b>	1/2" hex lock nut	1	\$ .50	<b>Y410</b>	3/8" x 2-1/2" hex bolt	16	\$ .50
<b>Y552</b>	large aluminum washer	2	\$ .50	<b>Y451</b>	3/8" hex lock nut	16	\$ .50
<b>20850</b>	<b>STEP 3</b>			<b>CP</b>	3/8 x 2-1/2" clevis pin	4	\$1.50
<b>Y410</b>	3/8" x 2-1/2" hex bolt	4	\$ .50	<b>HPC</b>	1/8" hairpin cotter	4	\$1.00
<b>Y451</b>	3/8" hex lock nut	4	\$ .50				