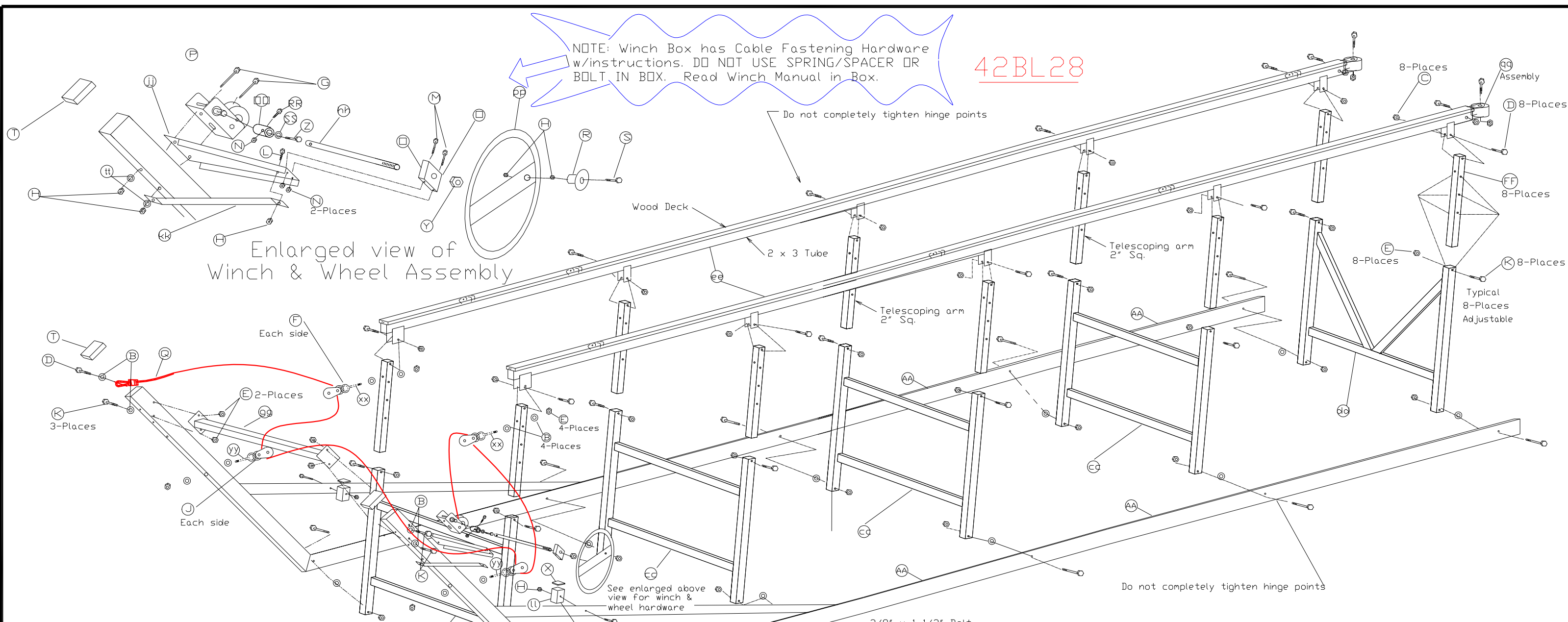
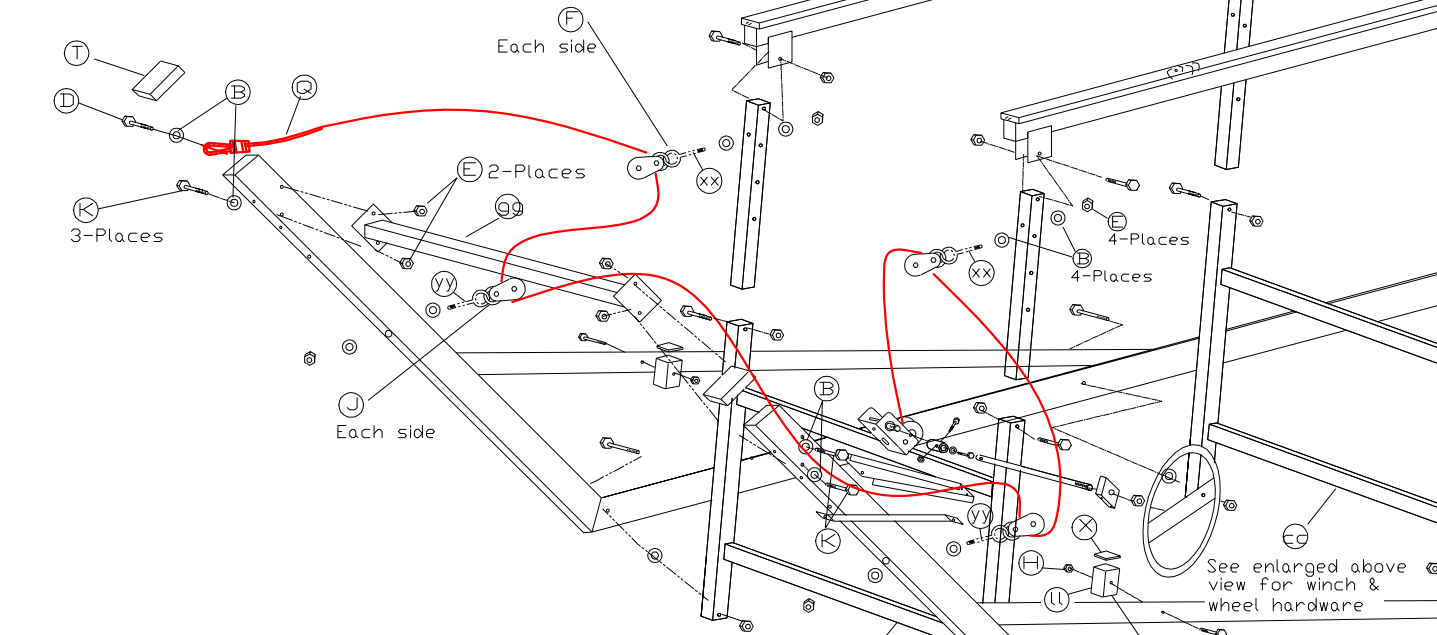


NOTE: Winch Box has Cable Fastening Hardware w/instructions. DO NOT USE SPRING/SPACER OR BOLT IN BOX. Read Winch Manual in Box.

42BL28



Enlarged view of Winch & Wheel Assembly



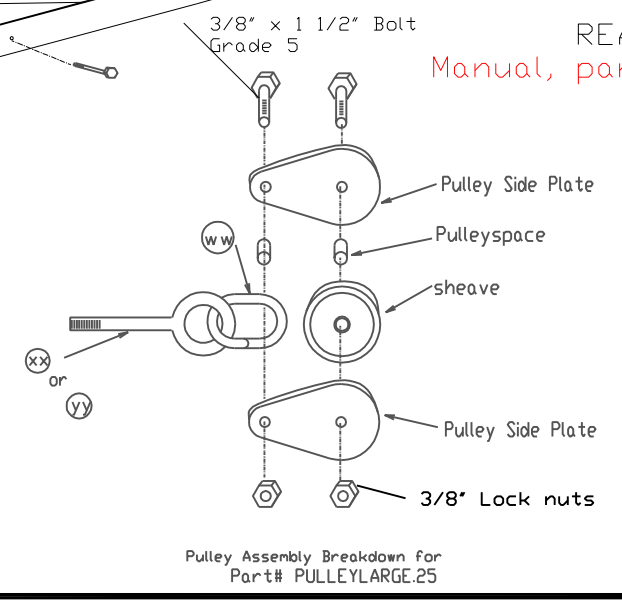
42BL28 PARTS LIST

Bolt bag contents list

Item	Quantity	Description	Part Number
A	10	1/2 x 5 1/2 Bolt	B50550
B	22	1/2 Washers	W50
C	20	1/2 Lock nut w/nylon insert	NL50
D	11	1/2 x 3 1/4 Bolt	B50325
E	18	1/2 Standard Nut	N50
G	2	3/8 x 6 Bolt	B37600
H	7	3/8 Whiz nut	NS37
K	13	1/2 x 3 Bolt	B50300
L	1	3/8 x 1 Bolt	B37100
M	2	5/16 x 3 1/2 Bolt	B31350
N	3	5/16 Lock nut w/nylon insert	NL31
R	2	3/8 x 4 Bolt	B37400
S	1	Wheel Knob	KN0B
T	1	3/8 x 2 1/2 Bolt	B37250
X	2	5 x 2 Plastic Cap	RCREC2050
Y	2	2\"/>	

Componets

Item	Quantity	Description	Part Number
aa	2	30P30 Side Panel	P30SIDE PANEL
bb	4	Front or mid pontoon stand	PONTOONSTAND
dd	1	Rear pontoon stand	PONTOONSTANDR
ee	2	30P30 Top Rail	P30RAIL
ff	10	Pontoon stand extension	PONTOONSTANDE
gg	1	Pontoon spreader arm	PONTOONSPREAD
hh	1	Pontoon winch extension shaft	PONEXTENSIONSH
jj	1	Pontoon winch arm	PONWINCHARM
kk	1	Pontoon winch arm brace	PONARMBRACE
ll	1	Pontoon stop block	PONTOONSTOP
pp	1	48\"/>	



READ MANUAL BEFORE USING HOIST. Manual, parts list and drawing on the web WWW.CRAFTLANDER.COM

REV#	DATE	DESCRIPTION	REV#	DATE	DESCRIPTION
1	11/30/04	Revised lists			

NuCraft
Metal Products
402 S. Line Rd.
Roscommon, MI 48653

Scale: None	Approved by: RLW	Drawn by: RLW
Date: 02/17/05		Revised by: Rachel W

42BL28 PONTOON HOIST
Hoist componets & Hardware

Assembly & Parts List	Drawing Number A-131
-----------------------	-------------------------