

FREESTANDING CANOPY STAND Parts List and Assembly (LDCFS)

PARTS LIST

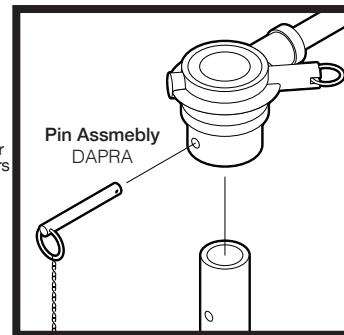
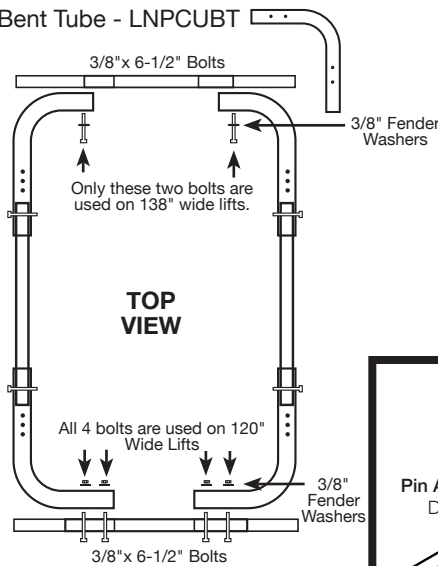
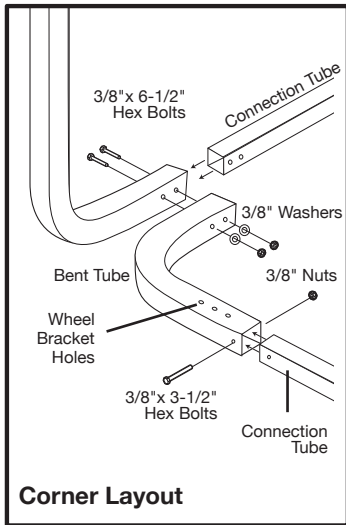
- 4 - 8' Aluminum Support Pipe - DAP8
- 4 - Connection Tubes - LNPCUCT
- 4 - 84" Canopy Extension Tubes - LDCE25/87
- 4 - Corner Brace Tubes - LNPCUCB
- 8 - Bent Tube - LNPCUBT

HARDWARE BAG - LDHFS

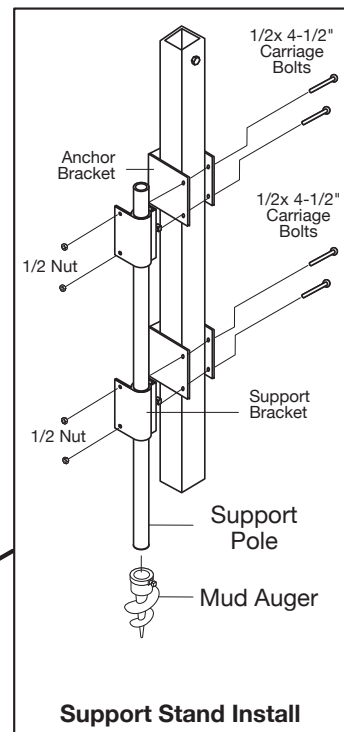
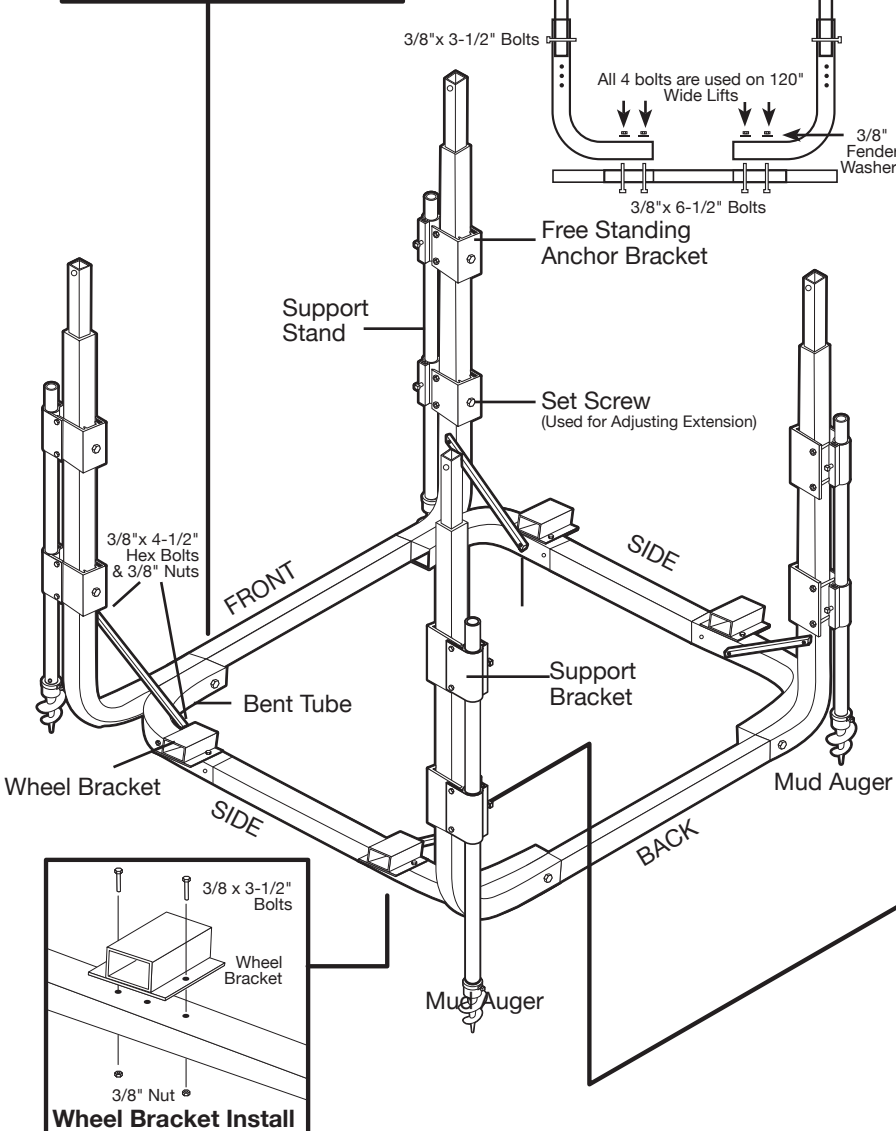
- 32 - 3/8" Brass Nuts - NN38S
- 12 - 3/8" x 3-1/2" Hex Bolts - NB38312G
- 8 - 3/8" x 6-1/2" Hex Bolts - NB38612G
- 24 - 1/2" Nut - NN12S
- 24 - 1/2" x 4-1/2" Carriage Bolts - NB12412C
- 4 - 3/8" x 3-1/2" Carriage Bolt - NB38312C
- 8 - 3/8" Fender Washers - NW38FE
- 4 - Wheel Brackets - LNPCUWB
- 8 - Support Brackets - DABRAC
- 8 - 3/8" x 4-1/2" Hex Bolt - NB38412G
- 8 - 2" Set screw - LLSS2
- 1 - Instruction Sheet

BRACKET BAG - LDHFS2

- 8 - Anchor Brackets - LNPCUAB
- 4 - Standard Mud Augers - DAMUDP



POST RATCHET OPTION:
Installation requires drilling a 9/16" hole in post. Hole should be drilled a minimum of 3-1/2" down from the top.



IMPORTANT:
Support anchors should be installed 18"-24" into the ground.

Lift Jack

The "Original" lift jack allows you to raise one end of the lift to easily adjust lift legs and assist with installing/removing lift wheels without going under water. Lift jack handle is 36".



Lift Jack

(with non-braking winch)  part# LWJ

Lift Jack

(with braking winch)  part# LWJB

36" Plastic Bumpers

This high strength plastic is made to be stiff, yet forgiving. The low density properties give it the ability to cushion impact then return to form. Formulated with UV protection for the marine environment, it is both long lasting and extremely durable. Mounts to most square poles with recessed mounting holes. Also available in black.

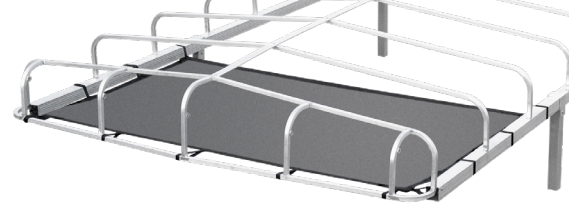


3-1/2" slot

 part# D1BUIVP3

Canopy Storage Net

Storage net creates storage under your canopy. Net protects gear from sun, rain, wind, and theft. Installs with quick release clips in minutes. No tools required. Makes boating much more enjoyable. Turn your canopy into a boathouse today.



Size

Width

Part

Small	96" - 107"	LDCS1096
Medium	108" - 120"	LDCS1108
Large	121" - 138"	LDCS1138

Corner Assist Wheel Kit

Makes canopy installation and removal much easier: they're quick to set up, lightweight, easy-to-use without permanent attachment. part# LWCHL



Canopy Bracing

Used to support canopies 29' and up. Completely adjustable with the telescoping extension. part# LDCB



Post Ratchet

Provides leverage to easily install and remove pipes with augers. This 19" handle and reversible ratchet fits pipes up to 2-1/4" O.D.

1-3/4" O.D. part# DAPR



Catwalk

All aluminum brackets with mounting hardware, to make side mounted catwalk for cantilever and hydraulic lifts with canopy or free standing canopies (planks not included).

One Pair part# LCWB

