



ShoreStation[®]

TOONRAILS ASSEMBLIES.

HA0202

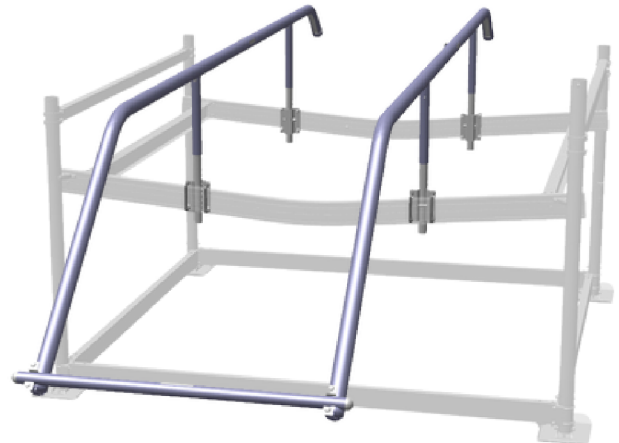
FOR USE WITH ALUMINUM "V" CRADLES, 3K - 7K, FREESTANDING

HA0204

FOR USE WITH STEEL "V" CRADLES, 3K - 6K, FREESTANDING

HA0211


FOR USE PERMANENT LIFTS, 6K - 8K, PERMANENT



MIDWEST IND.

Table of Contents

Safety Definitions2
Safety Instructions2,3
Preparation4
Assembly Instructions4 - 9



WARNING

DO NOT INSTALL OR OPERATE A THIS ACCESSORY WITHOUT FIRST STUDYING THIS MANUAL AND INFORMATION INCLUDED WITH THE LIFT. FAILURE TO DO SO CAN LEAD TO IMPROPER INSTALLATION RESULTING IN SERIOUS PERSONAL INJURY AND/OR PRODUCT DAMAGE. IF YOU HAVE FURTHER QUESTIONS AFTER REVIEWING THIS INFORMATION, CONTACT YOUR SHORESTATION SALES REPRESENTATIVE.

Safety Definitions

Safety messages are presented throughout this document and labels affixed to the product. The messages alert you to potential hazards to you and/or property. The signal words DANGER, WARNING, and CAUTION are preceded by an alert symbol and communicate the severity of potential hazard. The severity of each type of message is defined as follows:

DANGER indicates a hazardous situation which, if not avoided, will result in death or serious injury.

WARNING indicates a hazardous situation which, if not avoided, could result in death or serious injury.

Safety Instructions

Working with electrical equipment and installations over the water present many potential hazards to the installer. Every installation presents unique conditions that the installer should evaluate before installing or servicing the equipment. The following instructions must be followed, but may not encompass all potential hazards:



MIDWEST IND.

WARNING

Do not allow children to operate or play on the equipment.

Do not install if there are any signs of damage.

Never install or work on the equipment without first verifying that the A/C power supply (if present) is protected by a functioning Ground Fault Circuit Interrupt (GFCI) in accordance with National Electric Code section 210.8 and any additional local code requirements.

Review all operating instructions with the user(s) before installation.

Disconnect all A/C power from the dock before installing or working on the equipment.

Do not exceed the recommended capacity of the equipment.

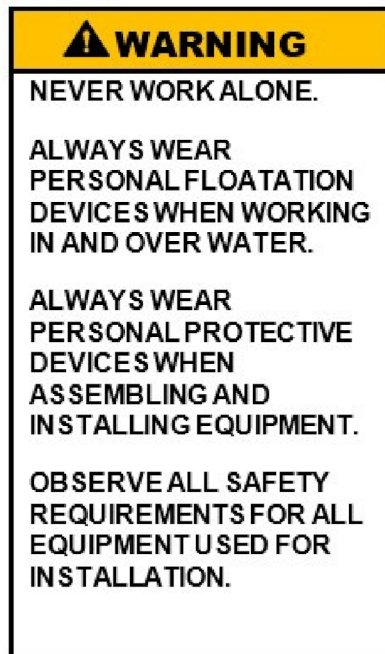
Do not modify the equipment unless you have received direct written approval from the manufacturer (ShoreStation).

Remove any metallic objects from your person before working with DC or AC electrical components.

Always wear proper personal protective equipment such as safety glasses, gloves, hardhats, and clothing.

Installation may require entering the water. Never enter the water without a proper personal floatation device. Disconnect any power to the lift and dock before entering the water.

Never work alone and observe safe lifting practices such as team lifting and proper lifting posture.



Preparation

Tools Required

Due to the variation in waterfront conditions, it is impossible to address all requirements. Be sure to survey the installation site and note any additional requirements.

Common tools required for installation include:

- 3/8 through 7/8 SAE wrenches
- 1/4 through 7/8 SAE ratcheting sockets and drives
- Cordless drill
- Banding cutters
- Personal protective equipment (safety glasses, hard hats, gloves, etc.)
- Tape Measure
- Level

Additional equipment may be required based on your installation site requirements.

Assembly Instructions

Gather and double check your parts and fasteners. You should have the following:

HA0211

- 71966 - TOONRAIL BUNK ASSEMBLY 264 INCH**
- 71967 - TOONRAIL MOTOR STOP BUNDLE**
- 72067 - TOONRAIL BUNK SUPPORT I-BEAM**

HA0202

- 71966 - TOONRAIL BUNK ASSEMBLY 264 INCH**
- 71967 - TOONRAIL MOTOR STOP BUNDLE**
- 72068 - TOONRAIL BUNK SUPPORT BUNDLE**

HA0204

- 71966 - TOONRAIL BUNK ASSEMBLY 264 INCH**
- 71967 - TOONRAIL MOTOR STOP BUNDLE**
- 72060 - TOONRAIL BUNK SUPPORT STEEL CRADLE**



MIDWEST IND.

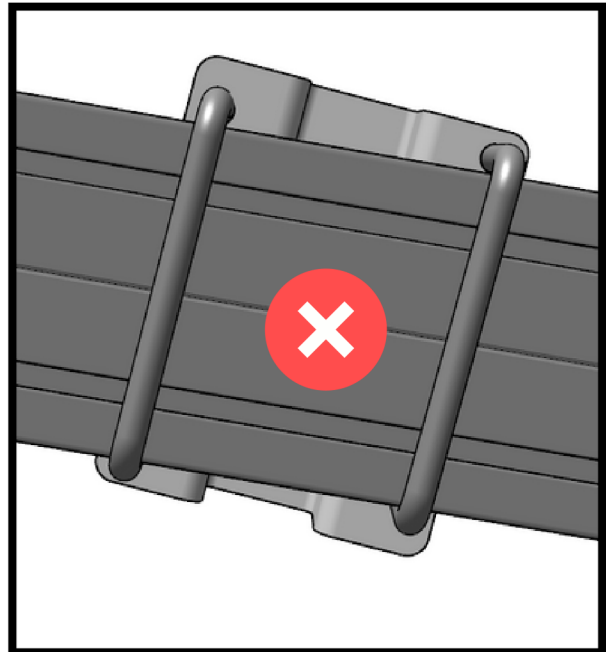
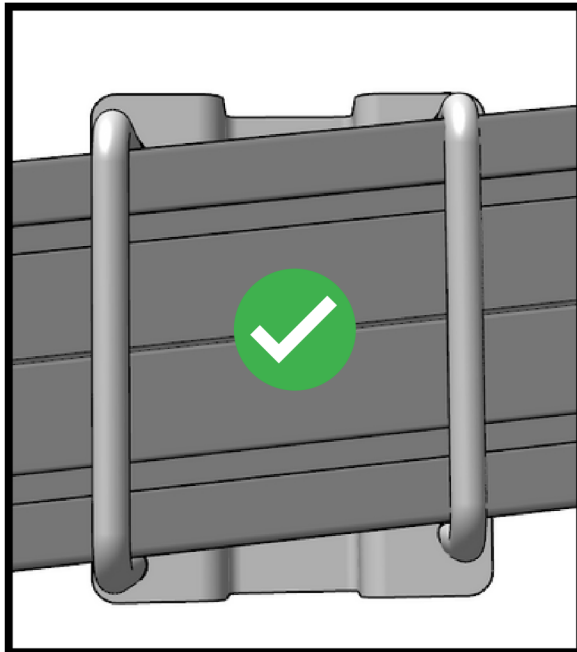
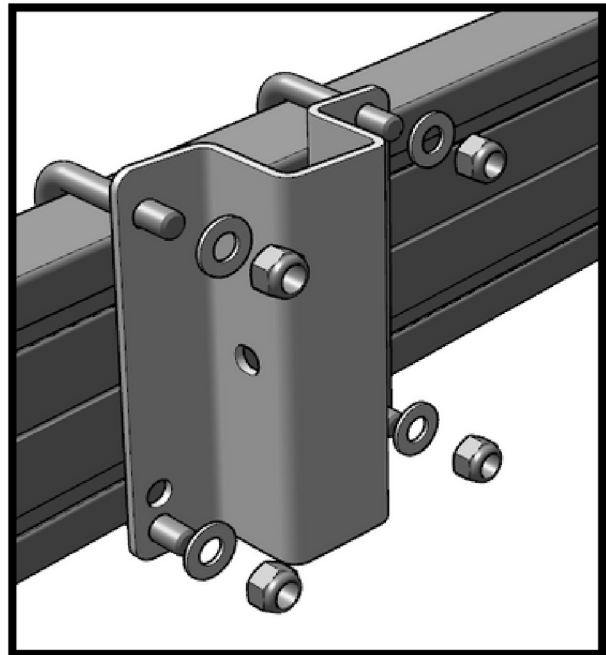
FREESTANDING LIFTS STEP 1

Attach Brackets to Platform

Slide the U-bolts around cradle tube and through brackets as shown. Brackets are positioned on the inside of the lift. Use a 3/4 Wrench to start the U-bolts, but do not tighten.

NOTE: Brackets come in "left" and "right" orientations.

Brackets should be positioned so the channel is perfectly vertical to ensure proper Toonrail support. See diagrams below.



MIDWEST IND.

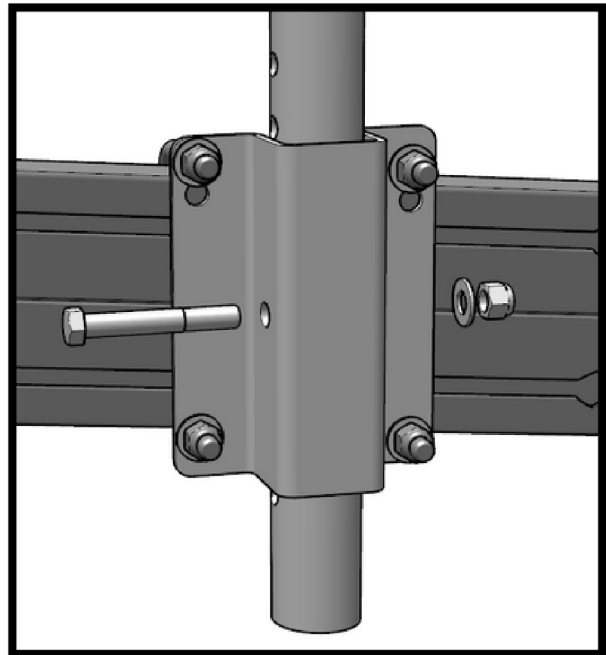
ShoreLand® | ShoreStation® | ByronSELECT™

www.shorestation.com

FREESTANDING LIFTS STEP 2

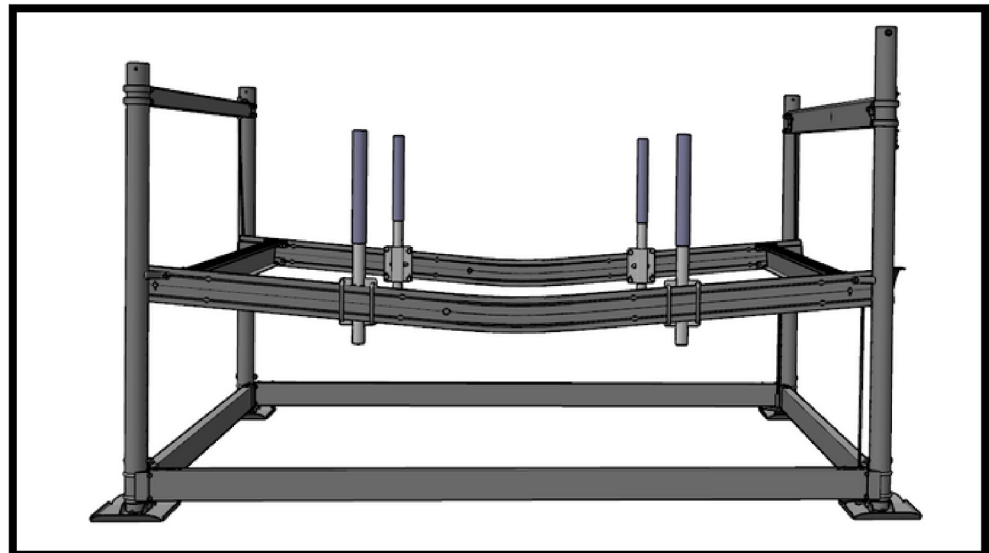
Insert Support Tubes

Insert a 1/2-13 x 3 1/2 hex head bolt through the bracket and support tube as shown and tighten.



FREESTANDING LIFTS STEP 3

Make sure all support tubes are the same height.



FREESTANDING LIFTS STEP 4 - SKIP TO PAGE 8



MIDWEST IND.

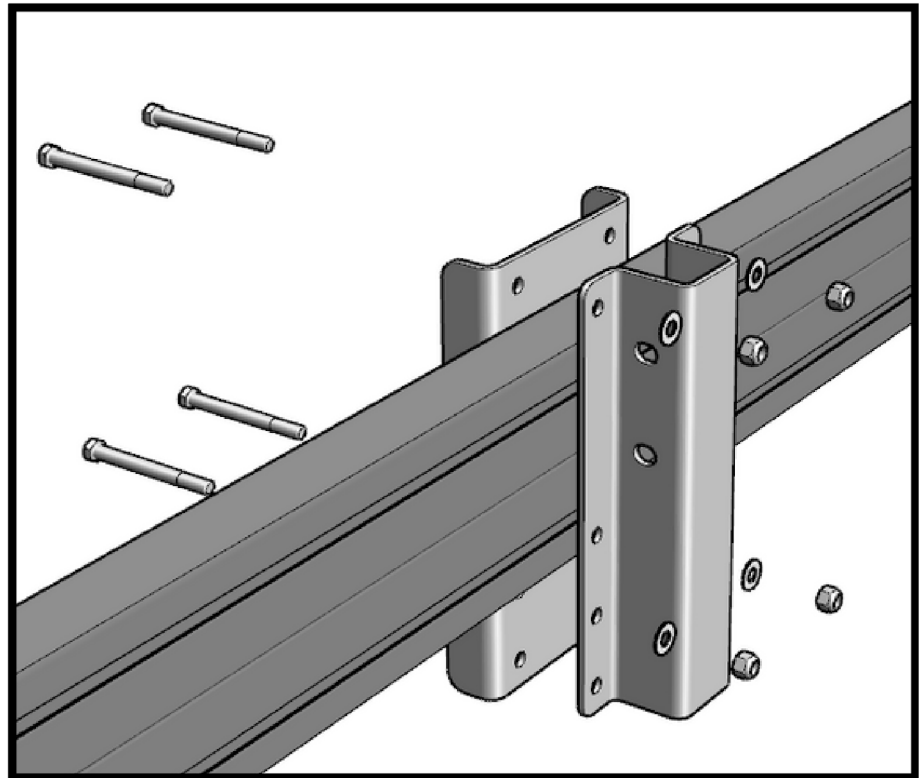
ShoreLand® | ShoreStation® | ByronSELECT™

www.shorestation.com

**PERMANENT LIFTS
STEP 1**

Attach Brackets to Platform

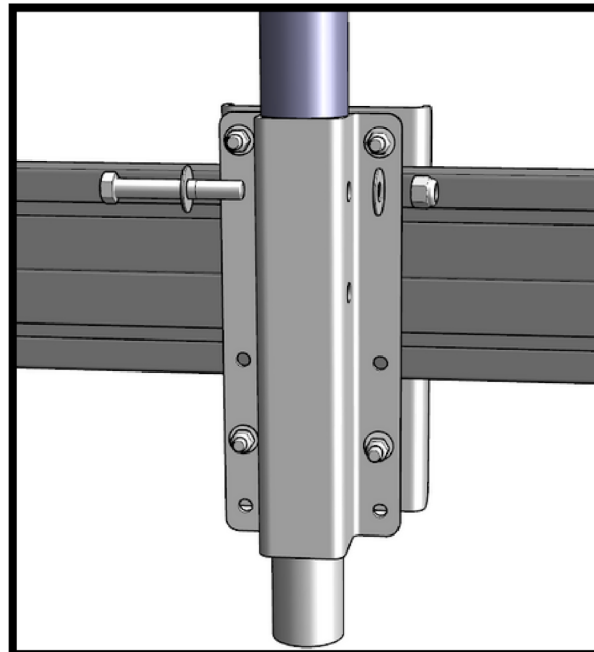
Slide the 3/8-16 x 7 hex head bolts through the brackets and around the cradle tube as shown. Brackets are positioned on the inside of the lift. Use a 9/16 wrench to start the bolts, but do not tighten.



**PERMANENT LIFTS
STEP 2**

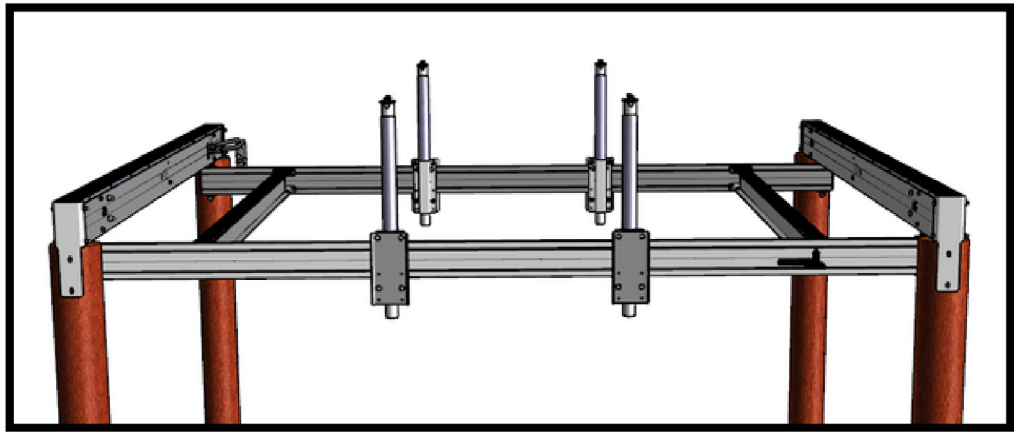
Insert Support Tubes

Insert a 1/2-13 x 3 1/2 hex head bolt through the bracket and support tube as shown and tighten.



PERMANENT LIFTS STEP 3

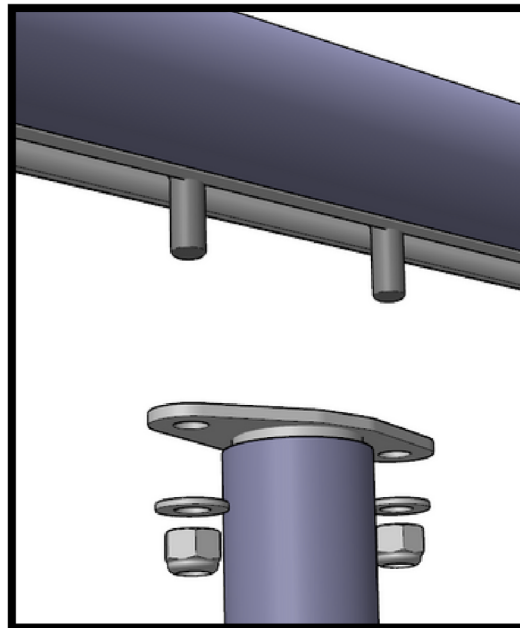
Make sure all support tubes are the same height.



ALL LIFTS STEP 4

Attach ToonRails

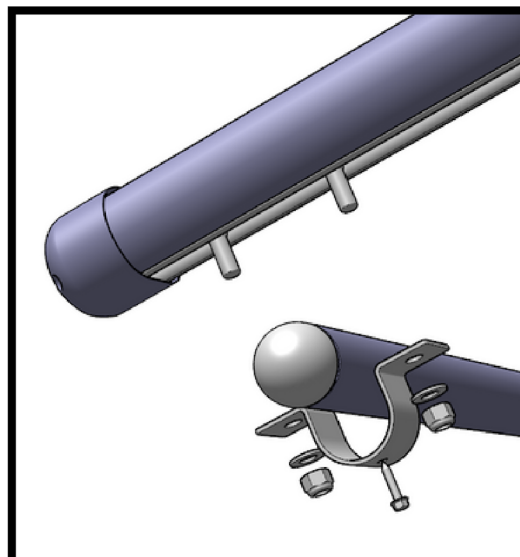
Insert two 1/2-13 x 1-1/2 carriage bolts into the T-slot of the ToonRail and slide them toward a support tube. Use a 3/4 wrench to start the washer and locknut, but do not tighten. Insert two more carriage bolts and slide them toward the other support tube. Again, start the washer and locknut but do not tighten. Repeat with the other ToonRail.



ALL LIFTS STEP 5

Attach Motor Stop

Insert two 1/2-13 x 1-1/2 carriage bolts into the T-slot on the long end of the ToonRail and slide them near the end caps. Place the motor stop tube into the brackets and put the carriage bolts through the bracket. Use a 3/4 wrench to start the washers and locknuts, but do not tighten.



MIDWEST IND.

ShoreLand® | ShoreStation® | ByronSELECT™
www.shorestation.com

122 IA-175
Ida Grove, IA 51445

0004555
2023-11-02

ALL LIFTS STEP 6

Adjust and Tighten

Adjust the ToonRails to fit and center your boat. Make sure the motor stop is centered, the "NOT A STEP" decal is facing up, and the self-tap screws are secure.. After everything is in sufficient position, tighten all hardware and load boat. Make adjustments as needed.



MIDWEST IND.

ShoreLand® | ShoreStation® | ByronSELECT™

www.shorestation.com