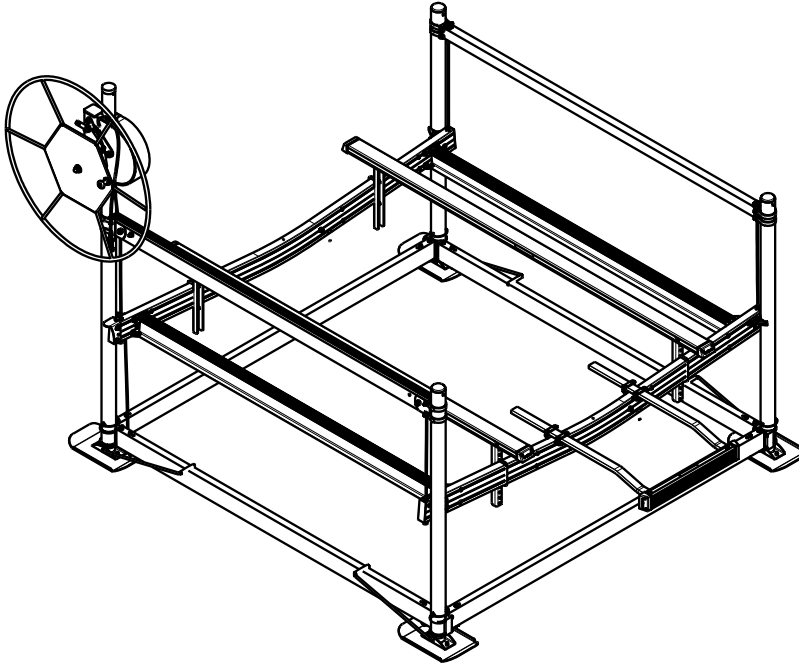


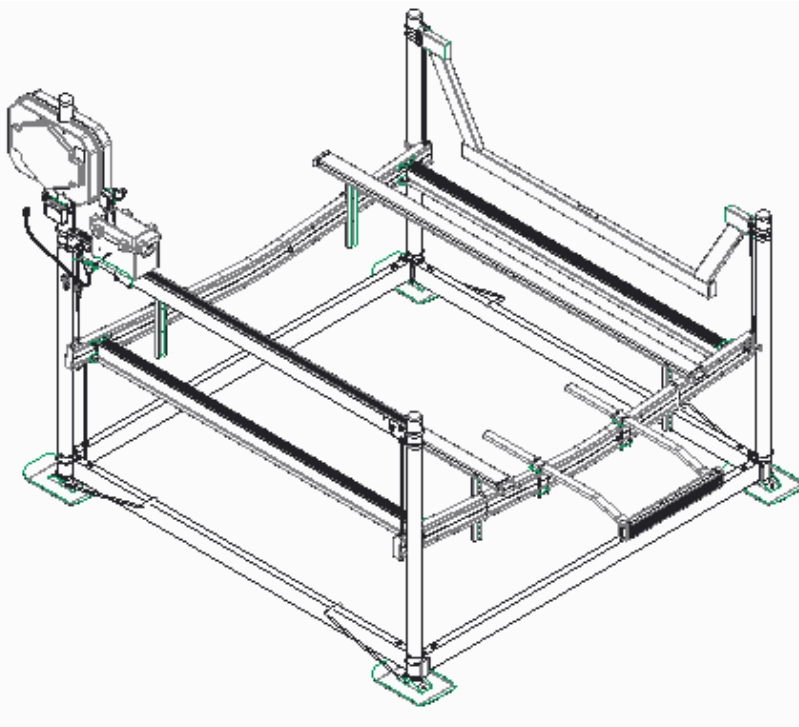
**ASSEMBLY GUIDE
MANUAL & FLEXPPOWER® ELECTRIC
2000 LB THRU 6000 LB**



Manual Models

- SSV20100MS**
- SSV30108MS**
- SSV30120MS**
- SSV40108MS**
- SSV40120MS**
- SSV50108MS**
- SSV50120MS**
- SSPV50132LMS**

*Including
Pontoon
and Deep
Water*



FlexPower® Electric Models

- SSV20100EDS**
- SSV30108EDS**
- SSV30120EDS**
- SSV40108EDS**
- SSV40120EDS**
- SSV50108EDS**
- SSV50120EDS**
- SSV60108EDS**
- SSV60120EDS**
- SSPV50132LEDs**

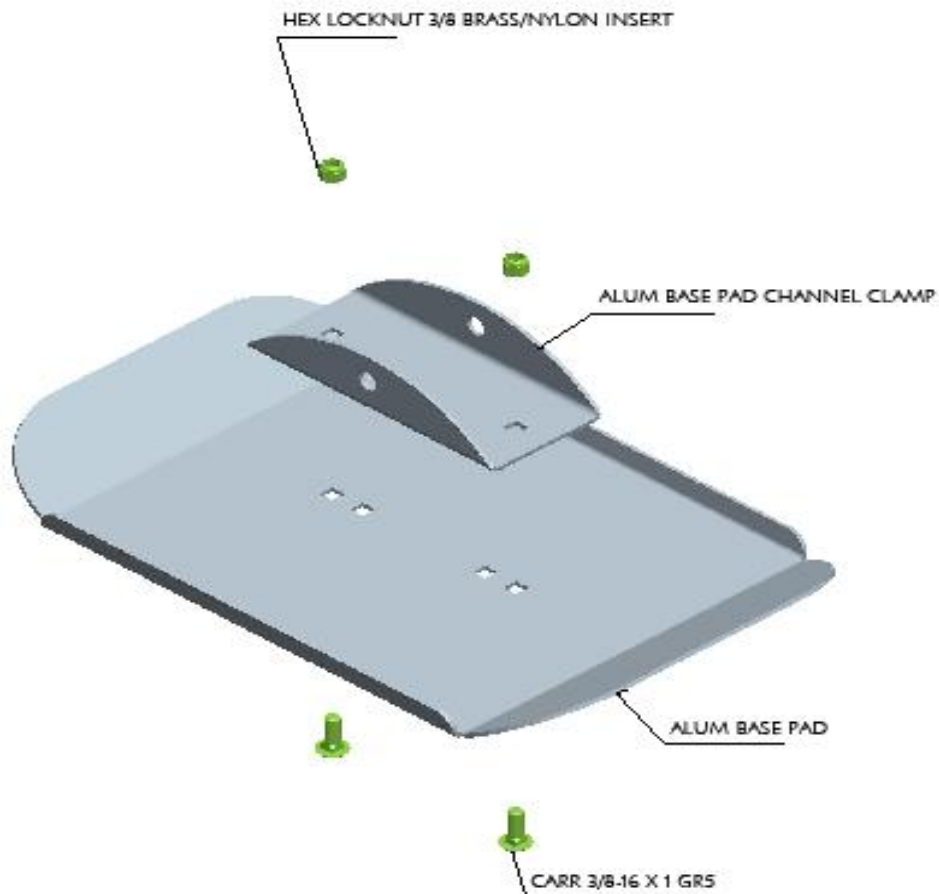
*Including
Pontoon
and Deep
Water*

Step #1 – Sort Hardware

Open the hardware box and bag and sort the hardware and other contents by size. Locate the fastener finder sheet in the hardware box to help identify the fasteners used in the assembly of these lifts.

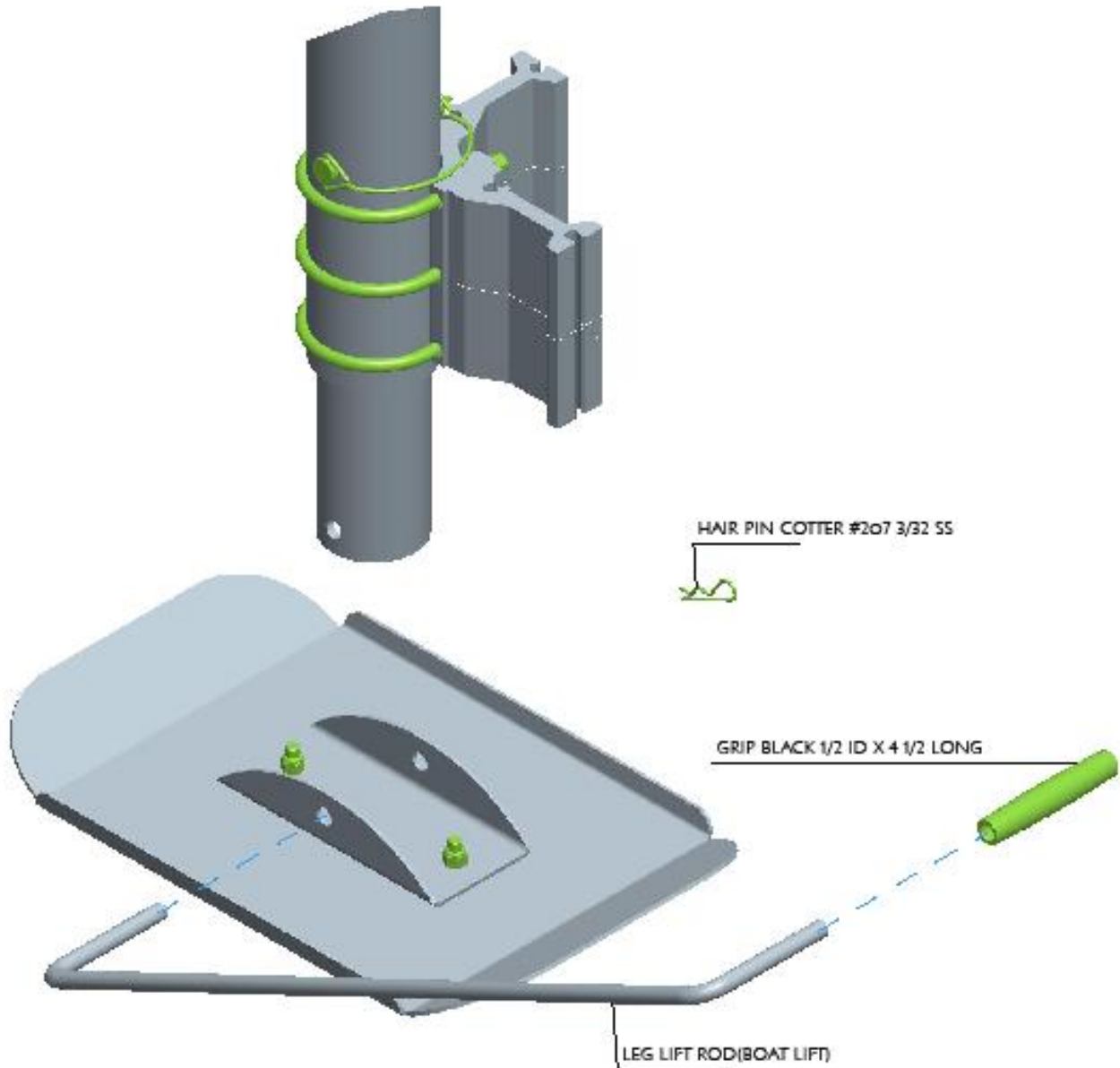
Step #2 – Assemble Base Pads

Collect enough of the fasteners and items shown below to assemble four base pads. Align the channel clamp with the holes in the base pad as shown, insert bolts from the bottom up and secure with lock nuts. Tighten and repeat for all four base pads.



Step #3 – Assemble Base Pads to Legs

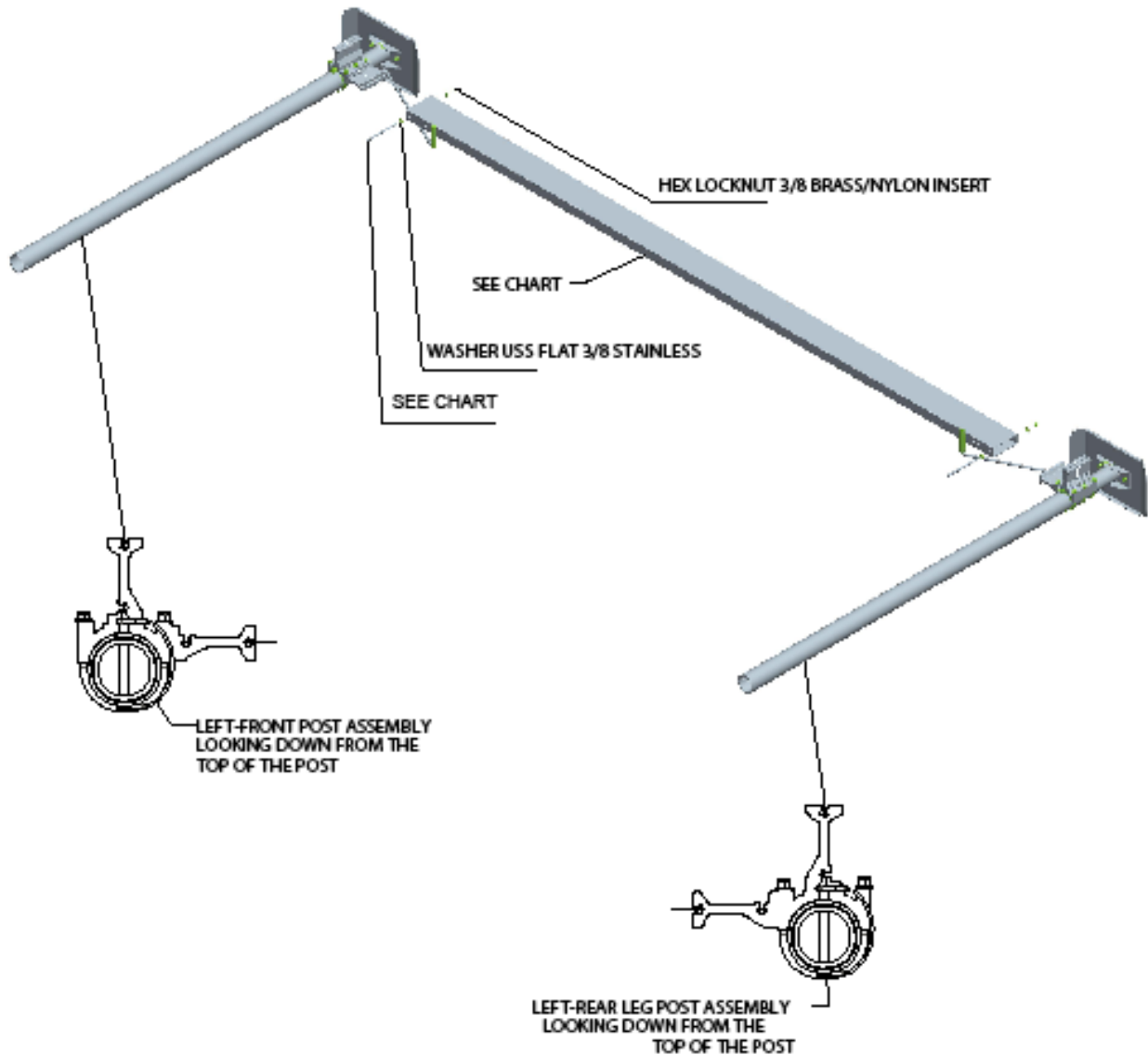
Locate the leg bundle or bundles and cut the bands to open it up. Locate the leg lift rods and other components shown. Slide the end of the leg lift rod with the hole in it thru the channel clamp and the adjustable leg tube as shown and secure with the hair pin cotter.



Note that the rods should be inserted in the same direction as that of the u-bolt. Slide the grip onto the other end of the lift rod. Repeat this process on the remaining legs.

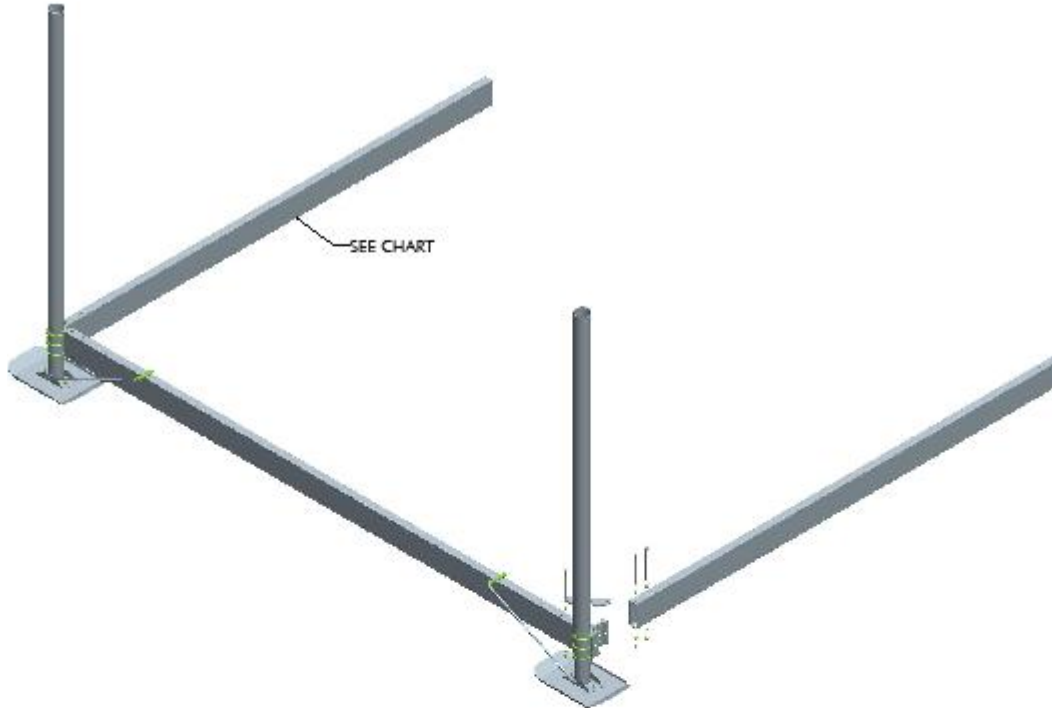
Step #4 – Assembly of Lower Side Frame

Using the chart at the top of page 6, locate the correct components that are included in the lower frame bundle. Your assembly will start by laying two legs down with the corner blocks as shown, for the model that you are assembling. Make sure at this time that you are matching the legs according to the decals applied. Slide a sideframe tube over the corner block and insert the short bolt (see chart on page 6) with a 3/8" flat washer into the hole closest to the post assembly. Secure with flat washer and brass locknut. **DO NOT TIGHTEN.**



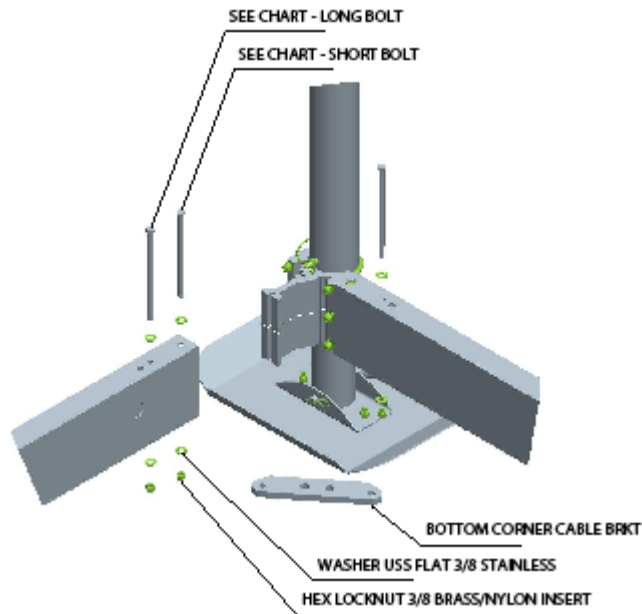
Step #5 – Attach Front & Rear Frame Crossmembers

Using the chart, locate the correct length tubes for crossmembers. With the unit still laying on it's side, slide the crossmembers over the other corner block leg and insert the short bolt with a washer into the hole closest to the post and secure on the bottom with a flat washer and brass lock nut. **DO NOT TIGHTEN.**



Step #6 – Complete Frame Corner Assembly

Flip the entire assembly upright onto the base pads.

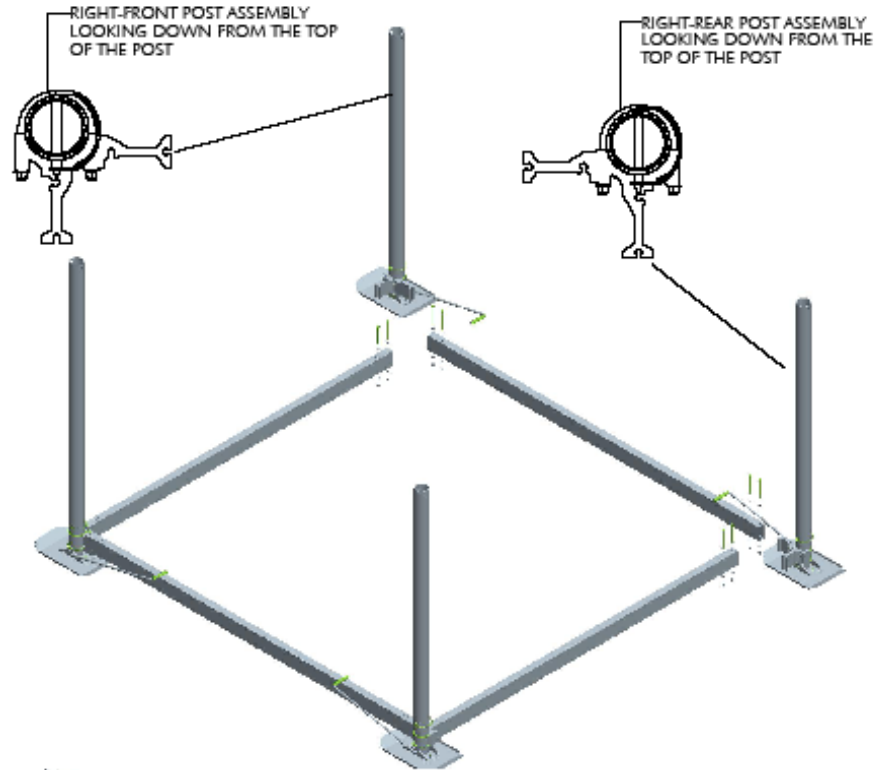


Locate the long bolts (from the table below) and the bottom corner cable bracket. Insert the long bolt with a flat washer thru the second hole from the post, thru the frame tubes and then thru the corner cable bracket on the bottom as shown. Secure with a flat washer and brass lock nut. **Do not tighten.**

Lift Models	Lower Frame Components		Bolts for Assembly	
	Front & Rear Crossmembers	Sideframes	Short Bolts	Long Bolts
SSV20100	4" X 2" X 99"	4" X 2" X 107"	3/8-16 X 5"	3/8-16 X 5 1/2"
SSV30108 & SSV40108	5" X 2" X 107"	5" X 2" X 107"	3/8-16 X 6"	3/8-16 X 6 1/2"
SSV30120 & SSV40120	5" X 2" X 119"	5" X 2" X 107"	3/8-16 X 6"	3/8-16 X 6 1/2"
SSV50108	5" X 2" X 107"	5" X 2" X 131"	3/8-16 X 6"	3/8-16 X 6 1/2"
SSV50120	5" X 2" X 119"	5" X 2" X 131"	3/8-16 X 6"	3/8-16 X 6 1/2"
SSV60108	6" X 2" X 107"	6" X 2" X 131"	3/8-16 X 7"	3/8-16 X 7 1/2"
SSV60120	6" X 2" X 119"	6" X 2" X 131"	3/8-16 X 7"	3/8-16 X 7 1/2"
SSPV50132L	5" X 2" X 131"	5" X 2" X 167"	3/8-16 X 6"	3/8-16 X 6 1/2"

Step #7 – Complete Bottom Frame & Post Assembly

Insert the corner blocks of the two remaining leg assemblies into the crossmembers as shown below, insert short bolts with washers in the holes closest to the posts to keep them in place. Pull the legs apart slightly and slide the other side frame over the corner blocks and secure these also with short bolts, washers, and brass lock nuts. Square the frame and tighten all hardware installed.



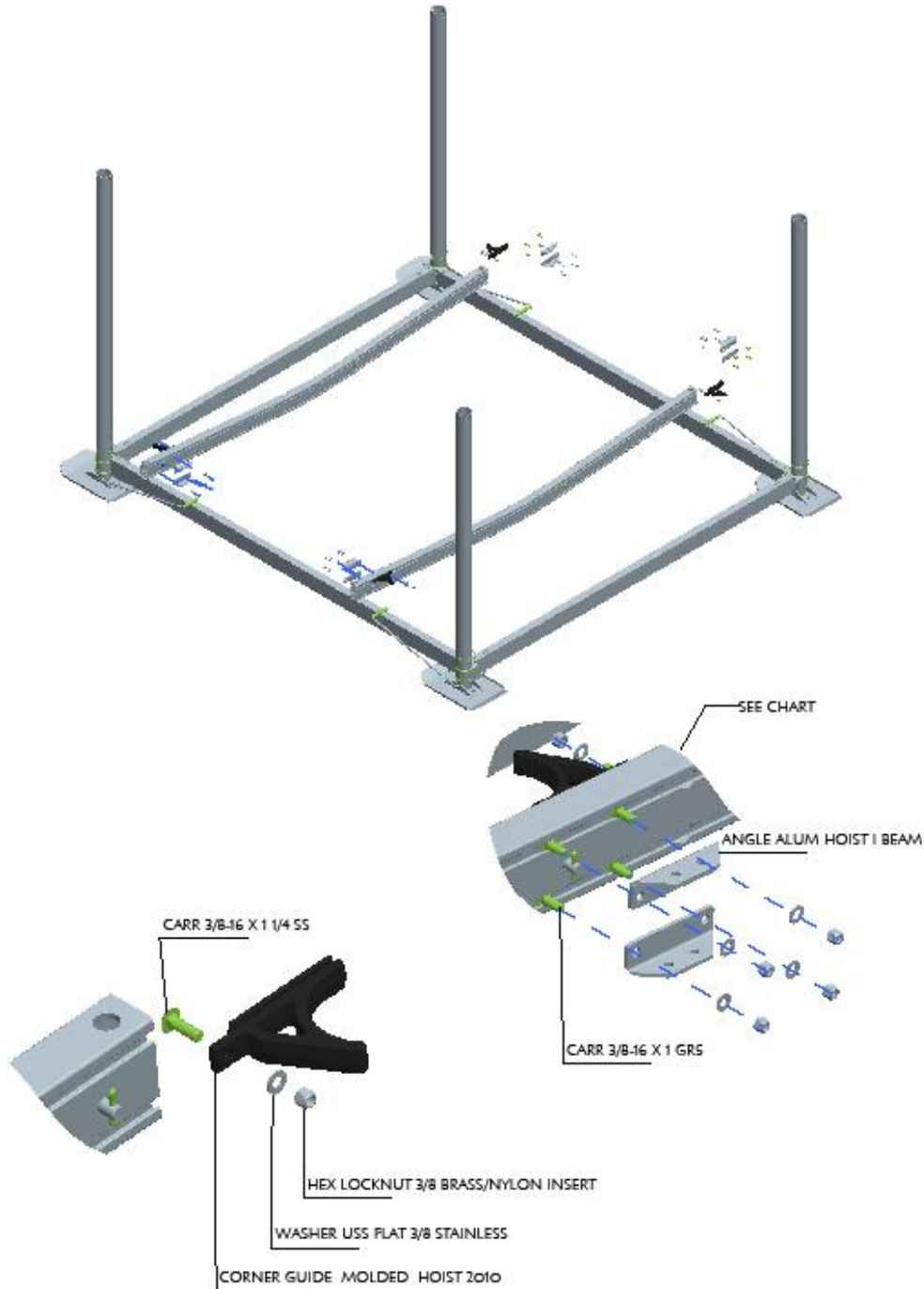
Attention

Properly Securing a Lift's Lower Frame

Tighten all fasteners with an air or battery powered high torque impact wrench. It's important to tighten the fasteners so the platform tube pulls tight to the corner block. The fastener needs to slightly crease the tube wall until there is no gap between the tube and the corner block. In some instances the impact wrench may not have enough torque and it may be necessary to hand tighten in order to achieve contact with the corner block.

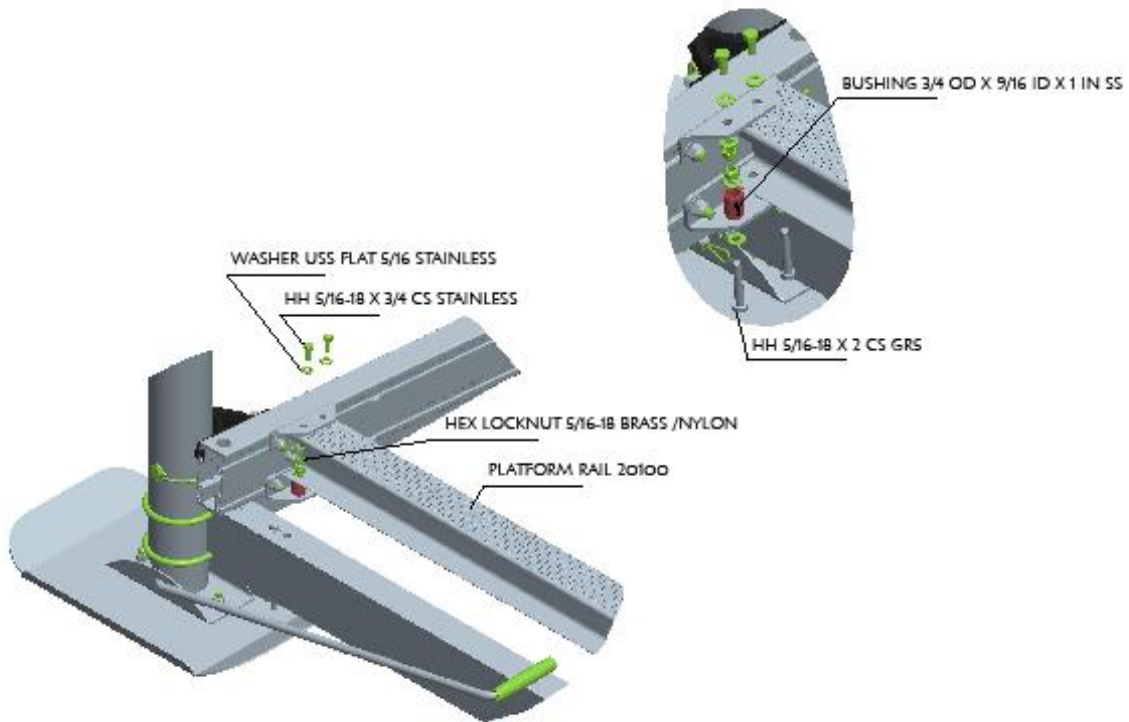
Step #8 – Assemble the Lift Platform

Lay the V-Shaped cradle tubes across the lower frame as shown. Place the end with the lift cable threaded out the bottom on the same side as the corner cable brackets.

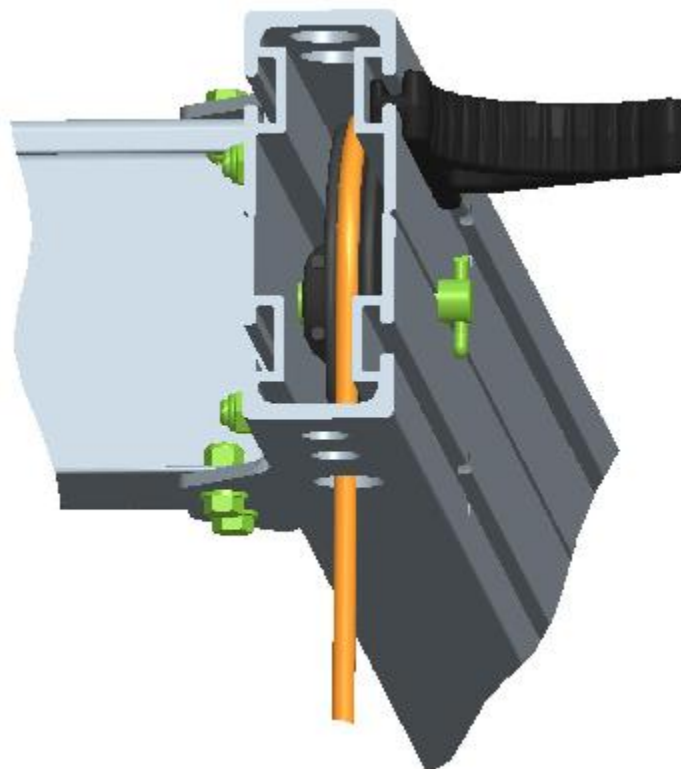


Slide two carriage bolts into the top slot and 2 into the bottom slot on the inside of the cradle tube. Using those bolts, mount a pair of side rail brackets on each end of the cradle tube as shown above. Position the outer edge of the brackets at least 3 inches from the end of the cradle tube. It is important to keep this distance equal on all four corners to keep it square. Insert a carriage bolt into the corner guide as shown and slide the head into the top slot in the cradle tube. Secure corner guide with a flat washer and lock nut. Do the same on the other three corners. **Do not tighten at this time.**

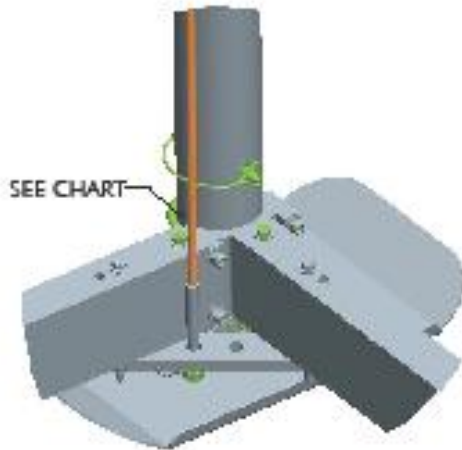
Insert the platform rails into the space between the mounting brackets and between the v-frames Note: that the platform I-beam that is used on the 2000# models will require spacers to be inserted under the I-beam and on top of the lower mounting bracket. Secure with bolts, washers and nuts as shown.



The following picture shows the position of the level cable as it comes over the pulley in the cradle tube and out the bottom to go to the cable mounting bar attached to the corner of the lower frame. Note the other two holes on the end of the cradle tube. These will be used later to attach the cables coming from the bottom of the lift tube.



Step #9 – Attach the Level Cable

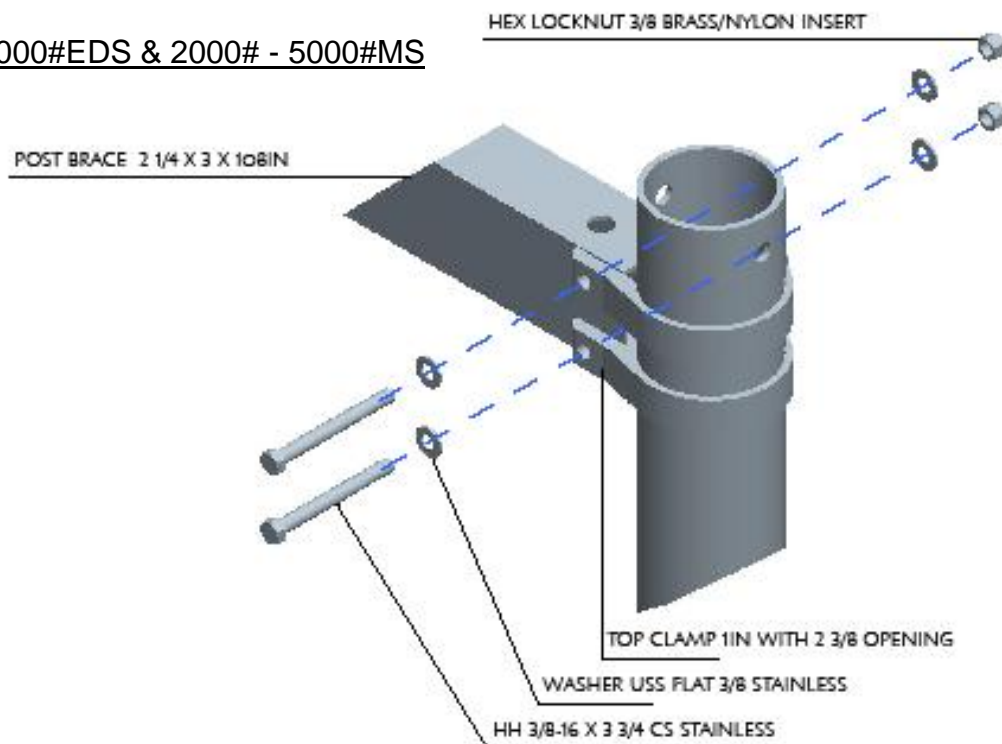


Attach the level cable as shown inserting the cable into the hole closest to the sideframe and securing with a flat washer and 2 brass hex nuts (*see chart on page 12 for hardware sizes*). The first nut will be run to the bottom of the threads and the second run down and secured tightly against the first. Repeat on other level cable.

Step #10 – Install the Drop Side or Spacer Brace Tube

The drop side or spacer brace tube is located opposite the lift tube so install it on the posts opposite the corner cable brackets. The 2000# thru 6000# EDS lifts use a drop side brace tube. The 2000# thru 5000# M lifts use a spacer brace tube. Locate the appropriate brackets and hardware from the illustrations below. Mount the drop side to the post as shown, keeping the lock nuts on the outside. Adjust brackets on both sides the height indicated by the chart found on page 12 and tighten all fasteners securely.

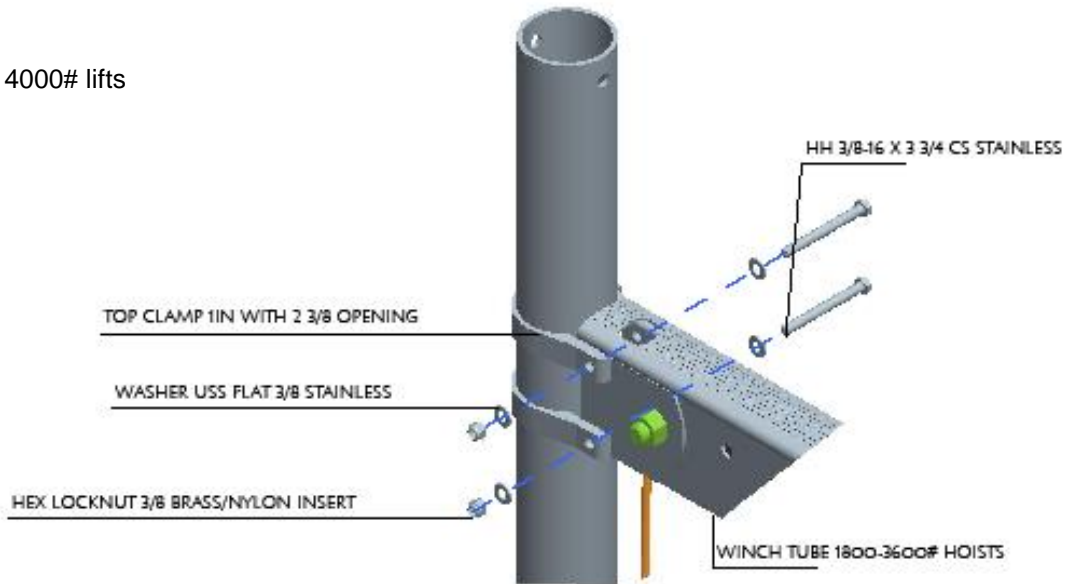
2000# - 6000#EDS & 2000# - 5000#MS



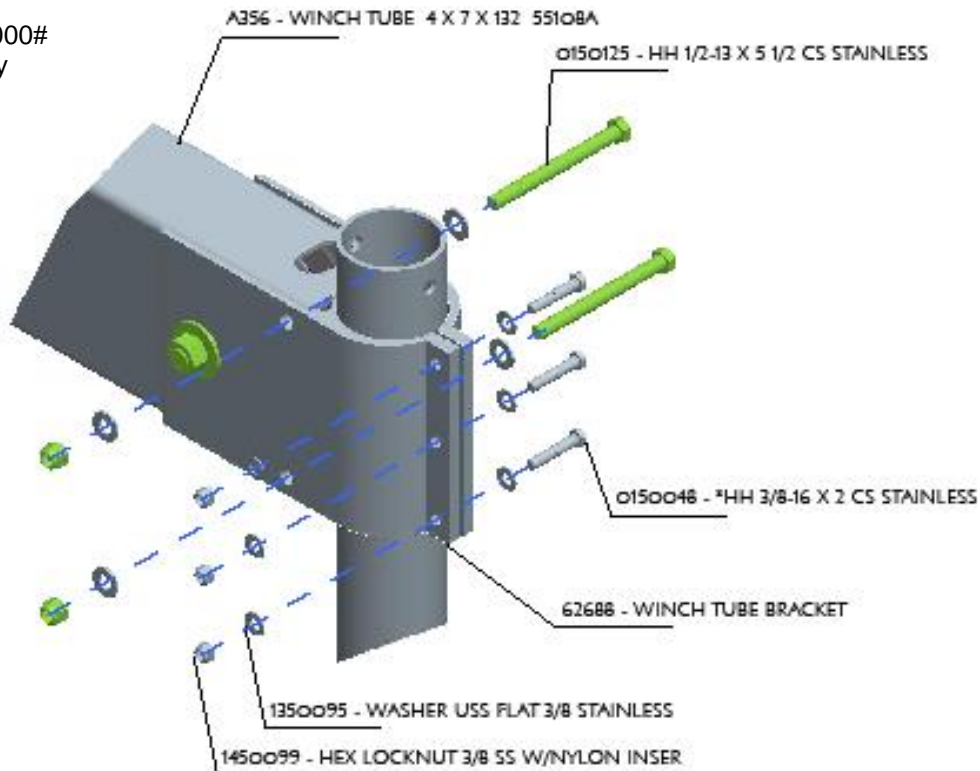
Step # 10 – Attach the Lift (Winch) Tube Assembly

Mount the lift tube to the post as shown, keeping the lock nuts on the outside. Adjust brackets on both sides to the height indicated by the chart found on page 12 and tighten all fasteners securely.

2000# thru 4000# lifts



5000# thru 6000#
Lift Tube Assy

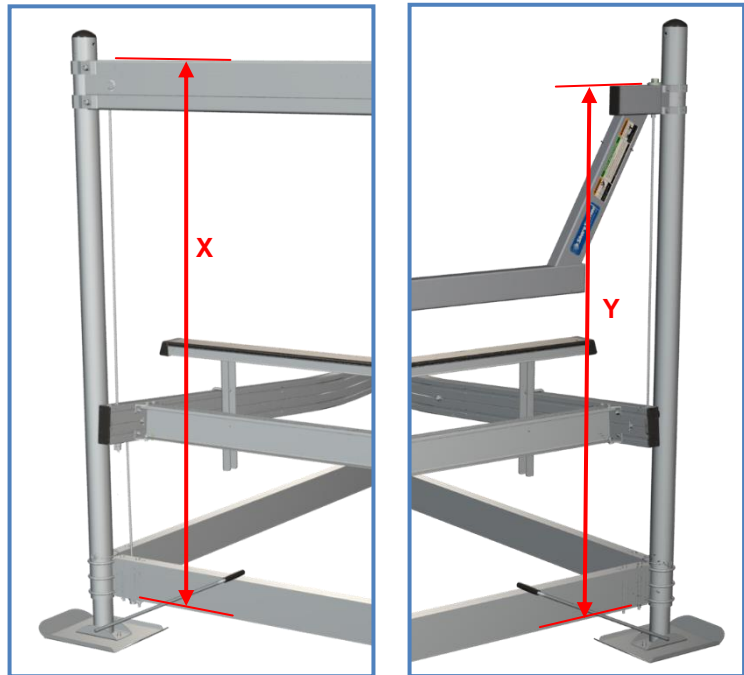


Lift Assembly Measurements

The following table shows the lift tube and brace tube (drop side) measurements for each lift model. Find the lift model in the table and place the components as shown in the diagrams. Tighten all components according to the assembly instructions after properly locating the lift tubes.

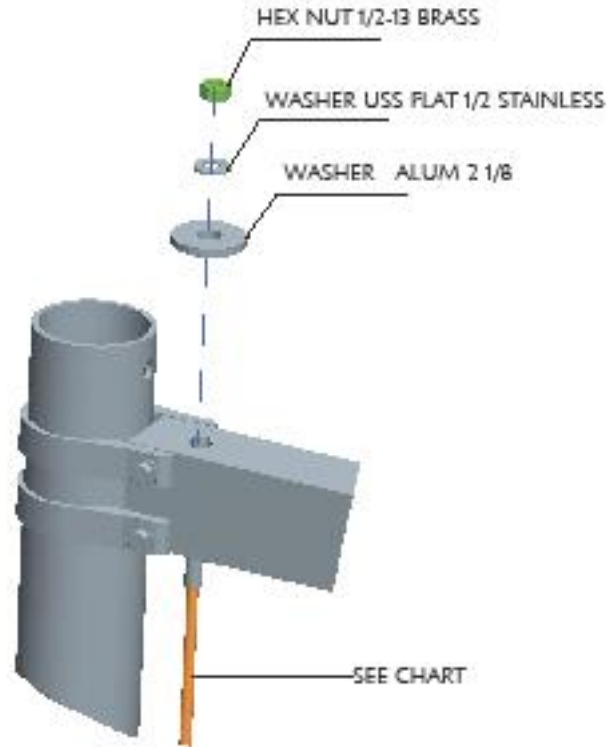
	Lift Tube Height (X)	Brace Tube Height (Y)
SSV1564ED	69"	69"
SSV1564M	69"	69"
SSV30108EDS	68"	68"
SSV30108MS	68"	68"
SSV30120EDS	68"	68"
SSV30120MS	68"	68"
SSV40108EDS	68"	68"
SSV40108HS	71-1/2"	75-1/2"
SSV40108MS	68"	68"
SSV40120EDS	68"	68"
SSV40120HS	71-1/2"	75-1/2"
SSV40120MS	68"	68"
SSV50108EDS	76"	76"
SSV50108MS	76"	76"
SSV50120EDS	76"	76"
SSV50120HS	71-1/2"	75-1/2"
SSV50120MS	76"	76"
SSV60108EDS	78"	77-1/2"
SSV60120EDS	78"	77-1/2"
SSV60120HS	80"	75-1/2"
SSV60132HS	80"	75-1/2"
SSV70120HSDW	80"	87"
SSV70132HSDW	80"	87"
SSV80132HSDW	87"	87"
SSPV50132LEDS	76"	76"
SSPV50132LHS	71-1/2"	75-1/2"
SSPV50132MLS	76"	76"
SSV100132HSDW	95"	87"
SSV100144HSDW	97"	90-1/2"
SSV150144HSDW	109"	102"

Note: The lift measurements can vary up to 1 1/2" due to cable length variation. Adjust the placement to ensure the platform is level and the lift cables can reach the cradle attachment.



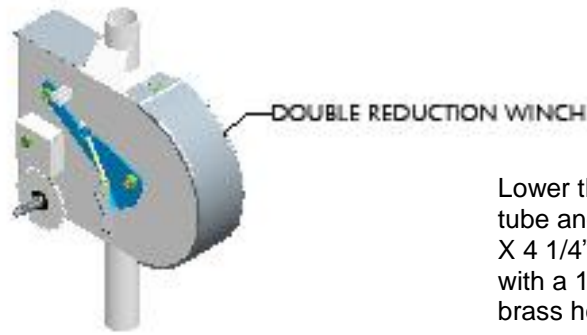
Step # 11 – Attach Level Cables to Drop Side or Brace Tube

Insert the ends of the level cables (from the cradle tubes) directly up thru the drop side or brace tube and secure with hardware from chart below. Hint: Block the platform off the lower frame about 6 inches to create enough slack for the cable to pass thru the brace tube.



Lift Models	Level Cables		Lift Cables	
Includes Pontoon & Deep Water	Brass Hex Nut	Stainless Flat Washer	Brass Hex Nuts	Stainless Flat Washer
SSV20100	1/2-13	4 = 1/2 Flat A152 2=	5/8-11	5/8 Flat
SSV30108 & SSV40108	5/8-11	4 = 5/8 Flat A152 2=	5/8-11	5/8 Flat
SSV30120 & SSV40120	5/8-11	4 = 5/8 Flat A152 2=	5/8-11	5/8 Flat
SSV50108	5/8-11	4 = 5/8 Flat A152 2=	5/8-11	5/8 Flat
SSV50120	5/8-11	4 = 5/8 Flat A152 2=	5/8-11	5/8 Flat
SSV60108	5/8-11	4 = 5/8 Flat A152 2=	5/8-11	5/8 Flat
SSV60120	5/8-11	4 = 5/8 Flat A152 2=	5/8-11	5/8 Flat
SSPV50132L	5/8-11	4 = 5/8 Flat A152 2=	5/8-11	5/8 Flat
A152 - 2 1/8" OD Aluminum Washer used on brace tube				

Step # 12 – Mounting Manual and Electric Winches.

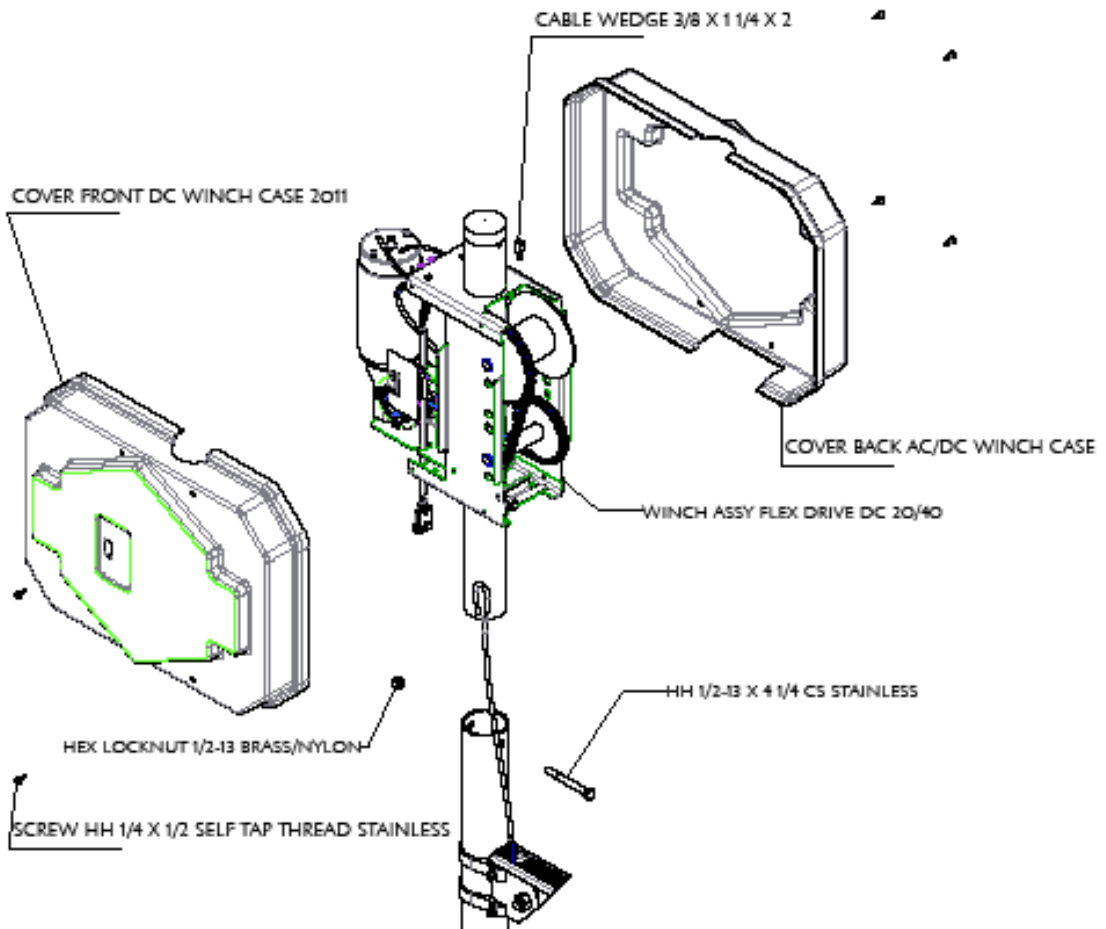


Lower the winch assembly into the winch tube and align the holes. Insert one 1/2" X 4 1/4" stainless steel hex bolt secure with a 1/2" stainless steel flat washer and brass hex locknut 1/2" with nylon insert.

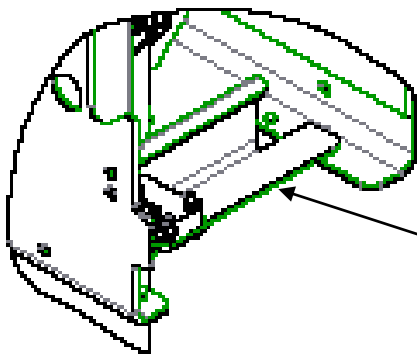
1450357 - HEX LOCKNUT NYLON 1/2-13 STAINLESS

1350100 - WASHER USS FLAT 1/2 STAINLESS

0150116 - HH 1/2-13 X 4 1/4 CS STAINLESS



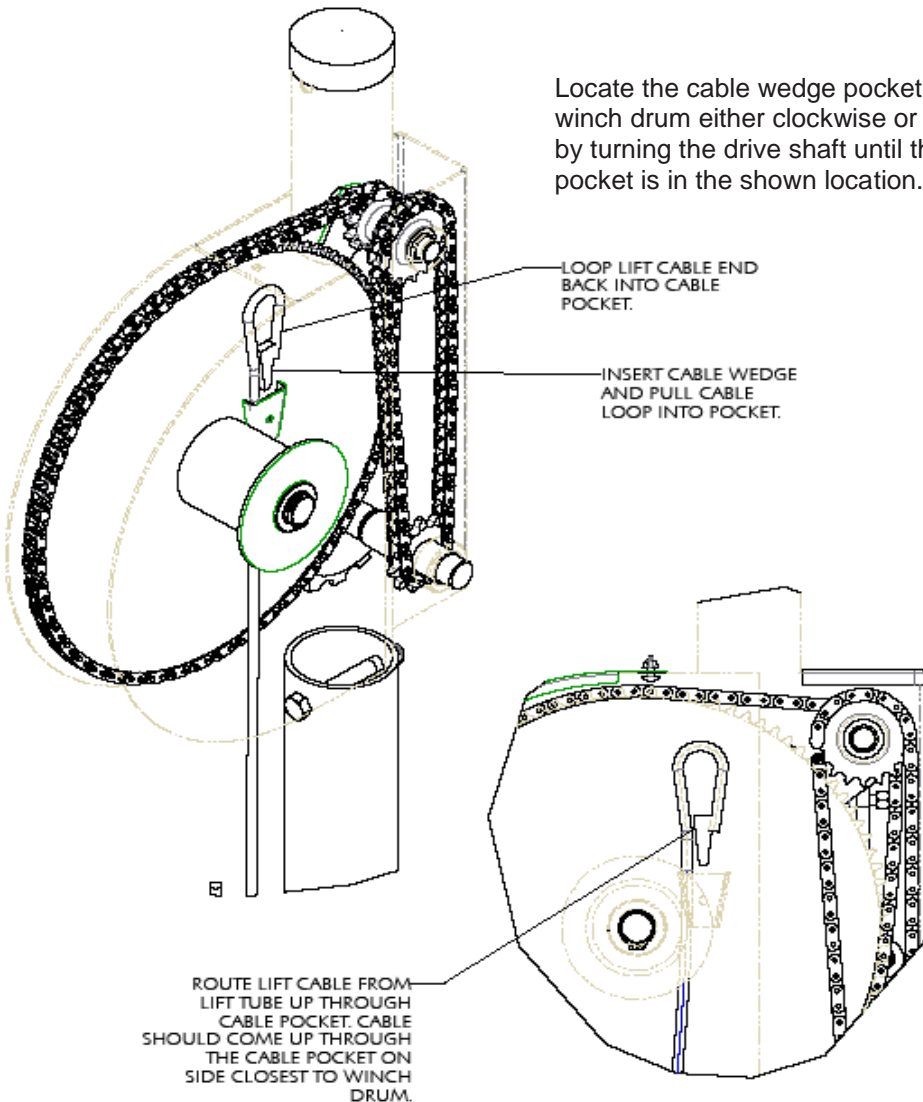
Make sure when inserting the cable into the FlexPower® Winch Assembly that it goes behind the anti backwind switch lever.



anti backwind switch lever

DETAIL A
SCALE 0.250

Step # 13 – Attach Lift/Winch Cable to Winch Drum Assembly



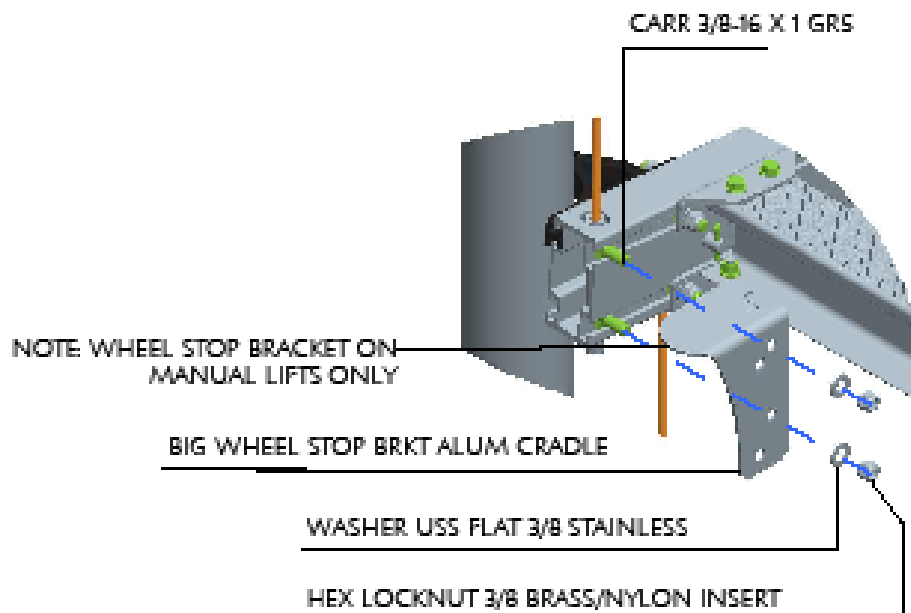
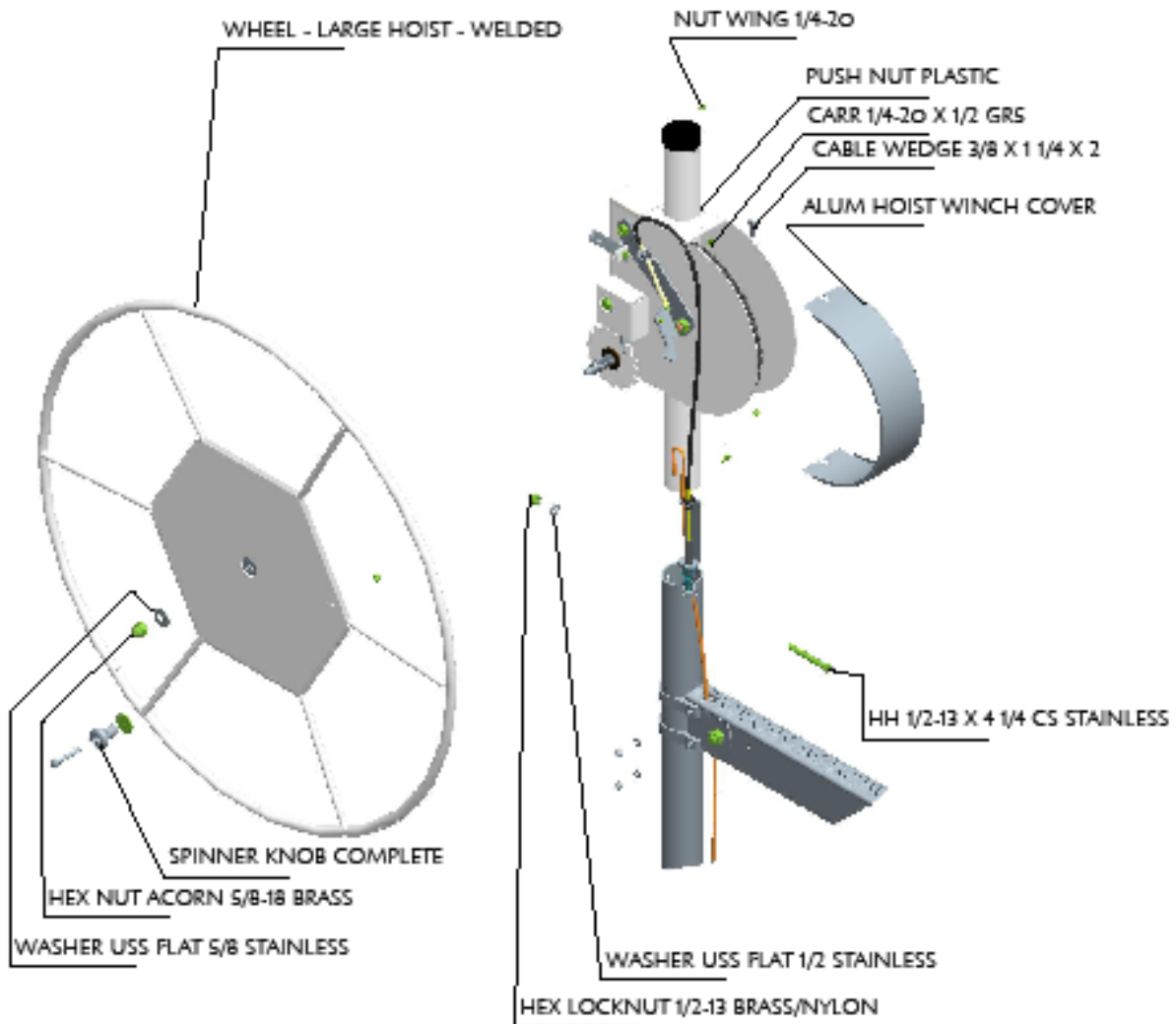
Locate the cable wedge pocket. Rotate the winch drum either clockwise or counterclockwise by turning the drive shaft until the cable wedge pocket is in the shown location.

LOOP LIFT CABLE END
BACK INTO CABLE
POCKET.

INSERT CABLE WEDGE
AND PULL CABLE
LOOP INTO POCKET.

ROUTE LIFT CABLE FROM
LIFT TUBE UP THROUGH
CABLE POCKET. CABLE
SHOULD COME UP THROUGH
THE CABLE POCKET ON
SIDE CLOSEST TO WINCH
DRUM.

Step #14 – Attaching the Wheel Stop on Manual Lifts

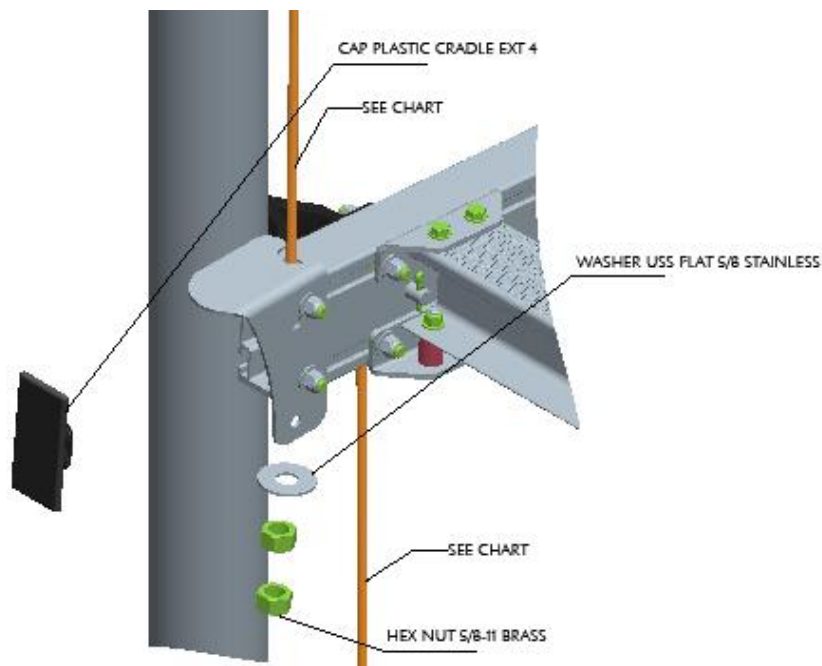


Step #15 – Connecting Lift Tube Cables

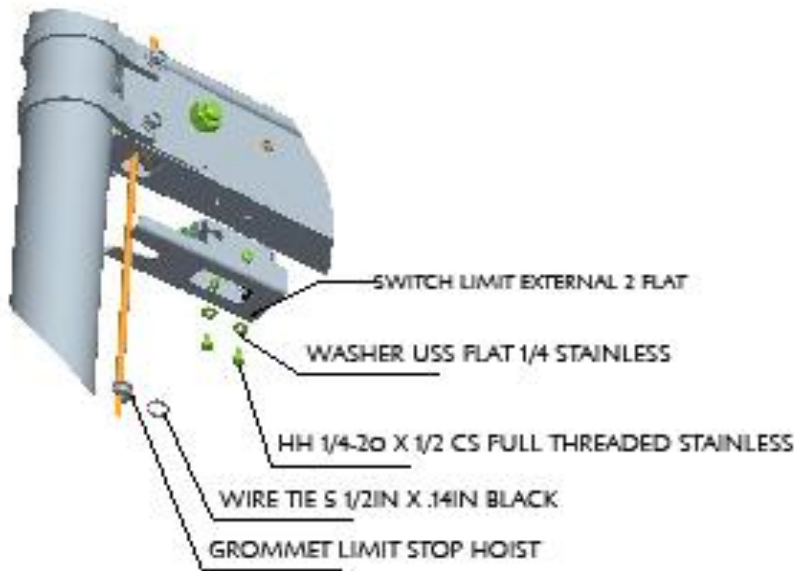
The cables on the Mechanical winch lifts should be down so they can be attached to the lift platform.

- *Attaching cables to Aluminum Cradle Tubes:* the cable coming from the outside pulley of the Lift Tube goes thru the outside holes in the Cradle Tube. The cable coming from the inside pulley, on the other end of the Lift Tube, goes thru the inside hole on the Cradle Tube.

Secure the cables to the Cradle Tubes with 2 brass nuts and a flat washer as shown below. Refer to the chart on page 12 for the proper sizes.



Step #16 – Attaching Upper Limit Switch for FlexPower Lifts



Attach the upper limit switch to the bottom of the winch tube assembly as shown. The holes will allow the switch to be adjusted so the cable will travel thru the center of the slot in the pivot arm. The grommet and wire tie are to be mounted to the cable, the final placement will not be made until the lift is in the water and the boat can be loaded into the lift.

Step #17 – Mounting the Battery Box

Follow the instructions for assembly and mounting that are included with the HA0131 Kit for 2000# thru 4000# and HA0109 kit for 5000# and 6000#.

Step #18 – Mounting the Battery Tender

Follow the instructions for assembly and mounting that are included with the HA Kit.

Step #19 – Mounting the Support Structure

A – Mounting the bunks

Follow the instructions for assembly and mounting that are included with the HA Kit.

B – Mounting the Pontoon Kit

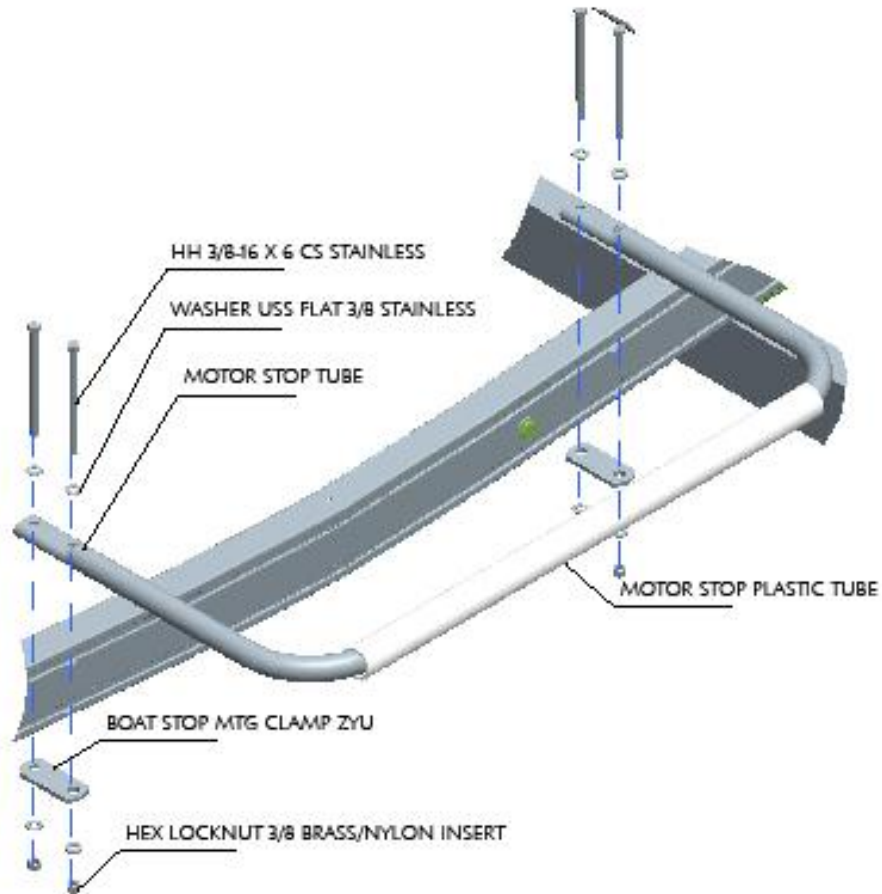
Follow the instructions for assembly and mounting that are included with the HA Kit.

C – Mounting the Pontoon Log Rack and Loadguide

Follow the instructions for assembly and mounting that are included with the Hardware Box.

Step #20 Attaching the Motor Stop – For 2000# Lifts

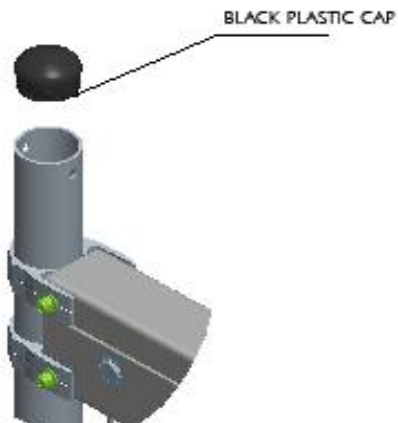
Note; The optional HA0151 Motor Stop kit assembly will be used on models 2000# lift models. Refer to the instructions included in the HA kit



®

Note; The optional HA0087 Motor Stop kit assembly will be used on models 3000# thru 6000# lift models. Refer to the instructions included in the HA kit.

Step #21 – Inserting Caps



If you are adding a canopy you can omit this step in the assembly process. The last step would be to go around and put the black plastic caps in the top of the leg post. Before calling your assembly complete take one last walk around your hoist and make sure all nuts and bolts have been tightened, all cables are secured, and all hoses and electrical connections are together.