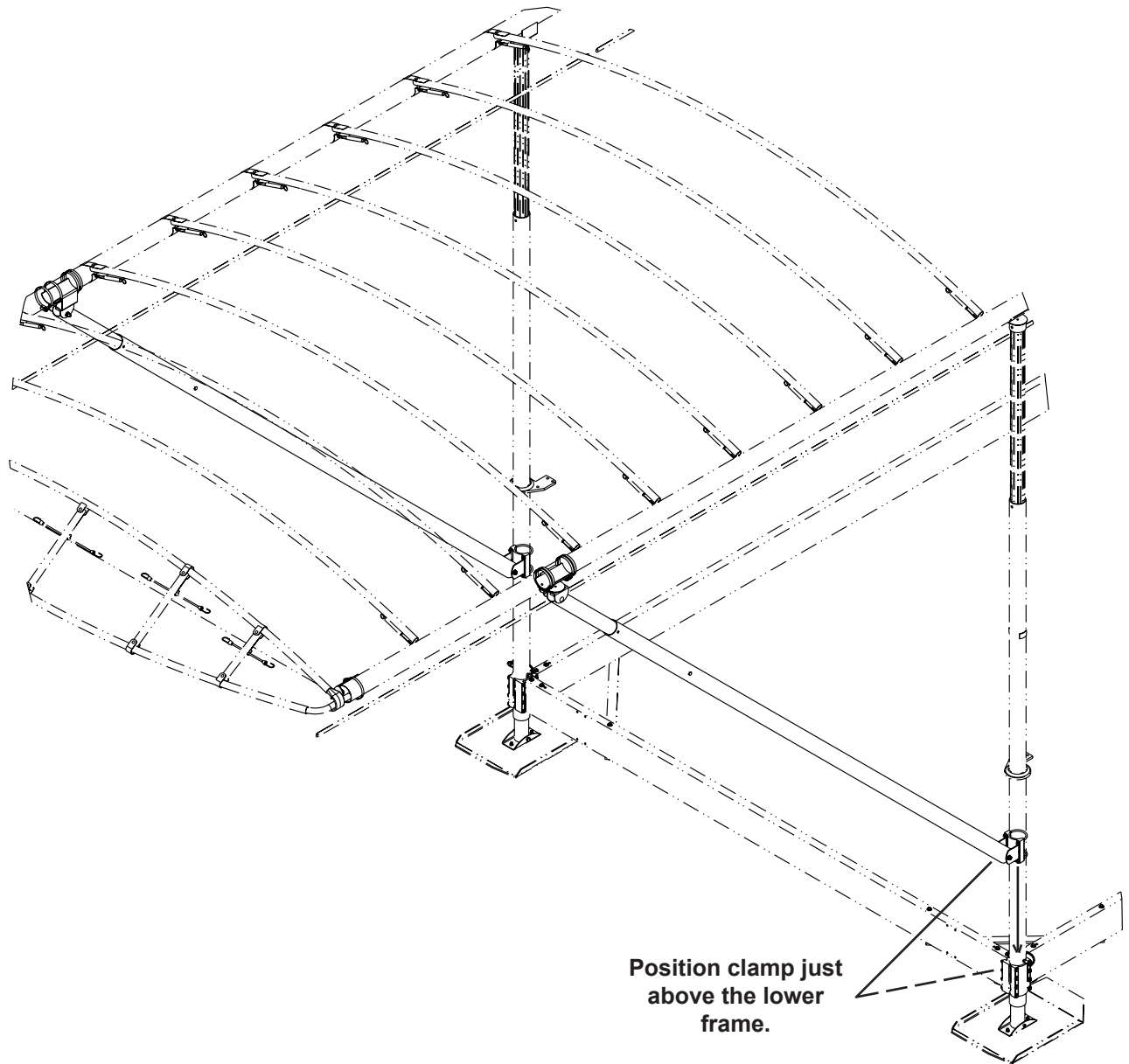
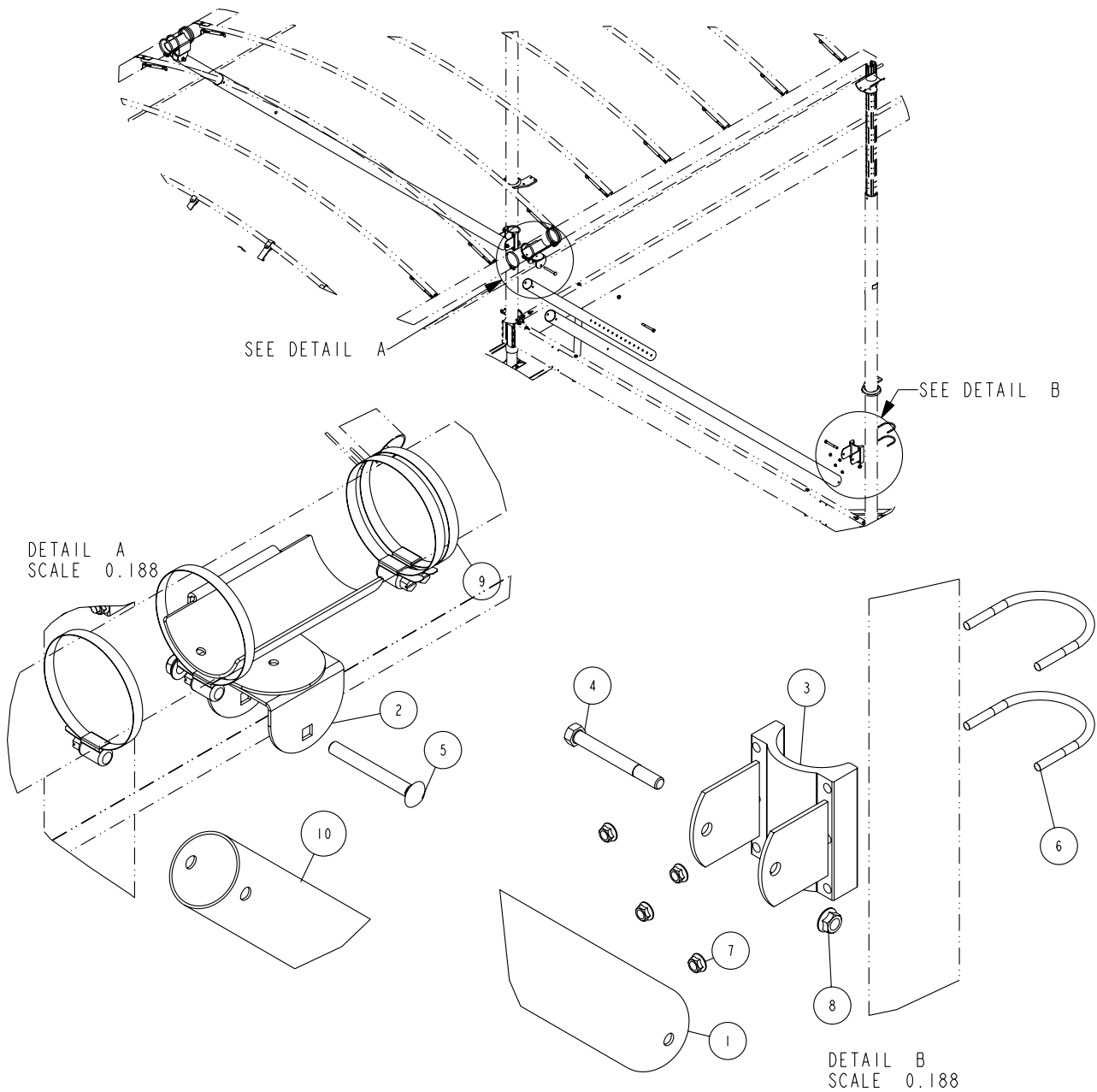


HA0008

Brace Tube Bundle for 34' and Longer Canopy Frames





BILL OF MATERIALS			
ITEM	PART #	DESCRIPTION	QTY
1	67561	CANOPY BRACE TUBE	2
2	67563	CANOPY MOUNT BRKT WMENT	2
3	69206	CANOPY BRACE WMENT	2
4	0110118	HH 1/2-13 X 4 1/2 CS GR5	4
5	0210220	CARR 1/2-13 X 4 1/2 GR5	2
6	0320101	3/8-16 X 3 7/8 X 3 7/8 ROUND U-BOLT	4
7	1440101	HEX LOCKNUT FLANGE 3/8-16 W/T&T	8
8	1440102	HEX LOCKNUT FLANGE 1/2-13 W/T&T	6
9	3610162	HOSE CLAMP N-STYLE STAINLESS	8
10	A167	CANOPY EXTENSION LEG 72"	2

DWG: HA0008 REV: 1.7+

HA0008 BRACE TUBE INSTALLATION INSTRUCTIONS

HA0008 Brace Tube is designed to be used with **Shore Station** canopies with a length of 34 ft. and longer. It is designed to be adjustable and give extra support to the canopy side frame on the end that is extended the greater distance from the hoist upright posts.

Position the canopy forward or backward on the hoist so it is in the desired location that will give your boat maximum protection from the elements. Also adjust your canopy to the desired height. When the final location is established the **HA0008** Brace Tube Assemblies can now be added as follows:

Break the bundles and sort all items by size.

Locate a **69206** canopy leg mounting bracket weldment. Position it on the hoist upright post directly above the lower frame. Secure to the upright posts with 3/8" x 3 7/8" x 3 7/8" round U-bolts and flange lock nut. **IT MUST BE POSITIONED DIRECTLY ABOVE THE LOWER SIDE FRAME SO NOT TO INTERFERE WITH THE HOIST PLATFORM WHEN IT IS LOWERED TO ITS LOWEST POSITION.**

Locate the 67561 canopy brace tubes and attach each one to the canopy leg mounting bracket weldments just installed with 1/2" x 4" hex bolts and flange lock nuts.

Slide the multi-hole end of the **A167** 72" canopy extension leg into the other end of the canopy brace tube. Secure in place with a 1/2" x 4" hex bolt and flange lock nut. Do not tighten at this point. Attach the canopy mount bracket weldment as shown in the diagram with a 1/2" x 4-1/2" carriage bolt and flange lock nut. Repeat on other brace tube.

Rotate the brace assembly upward until the canopy mount bracket weldment comes in contact with the canopy side frame tube. Note that the canopy mount bracket weldment must contact the side frame tube between the canopy bows in order for it to be attached properly. If it don't, adjust the length of the brace tube by adjusting the hole that the **A167** 72" canopy extension leg is

attached to the canopy brace tube. Mark the location that the canopy mount bracket weldment contacts the canopy side frame. Lower the brace assembly.

Unscrew four hose clamps until the end comes out of the mechanism. Place the hose clamps around the 4" OD side frame tube in the marked location and thread the hose clamps back together until the threads are engaged. Note that two hose clamps will be placed on each end of the canopy mount bracket weldment to mount it to the side frame.

Place the canopy mount bracket weldment against the bottom of the side frame. Slide one of the hose clamps on each end of the canopy mount bracket weldment. Check the canopy side frame for being straight. Raise if necessary until straight, then tighten the hose clamps securing the canopy mount bracket weldment to the side frame making sure that the tightening mechanism is positioned so it will not interfere with the canopy cover when it is mounted. Place on the second hose clamp on each end. Repeat this process on the other brace assembly.

Tighten all hose clamps and nuts left loose during the assembly.

Assembly is complete.

