

### CF26-132N, CF30-132N & CF34-132N Canopy Frames Fitting:

Aluminum Hoist Models: SSV60132 & SS60132 DW

Hydraulic Hoist Models: SSV90132 HYD & SSV90132DW HYD

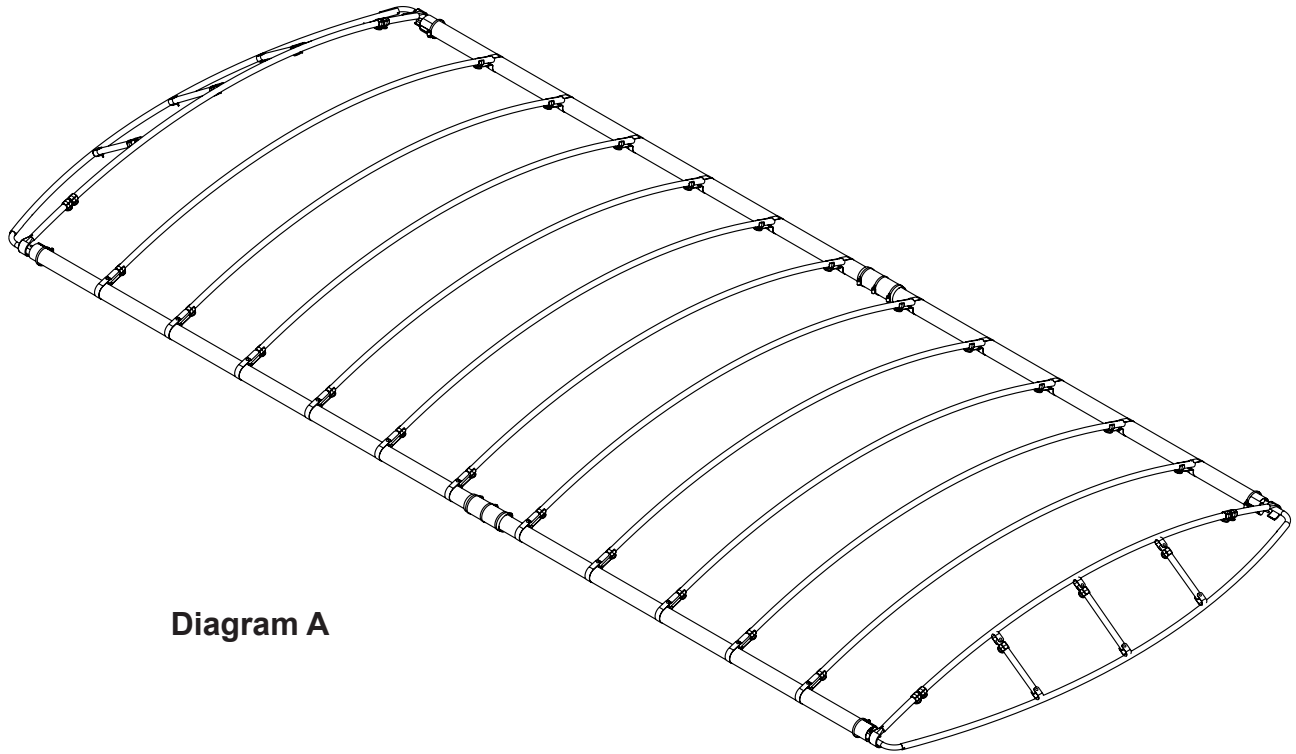


Diagram A

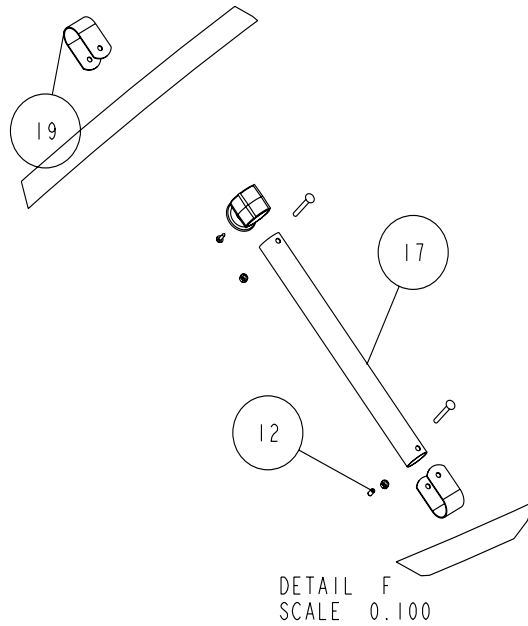
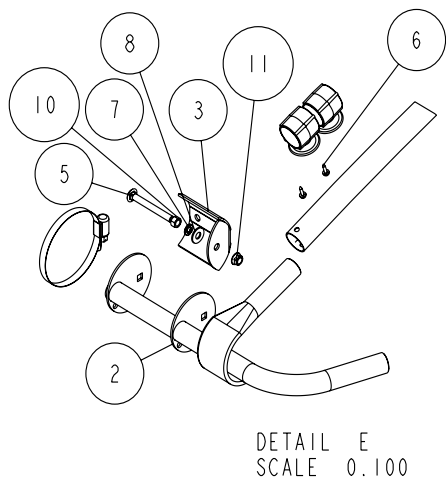
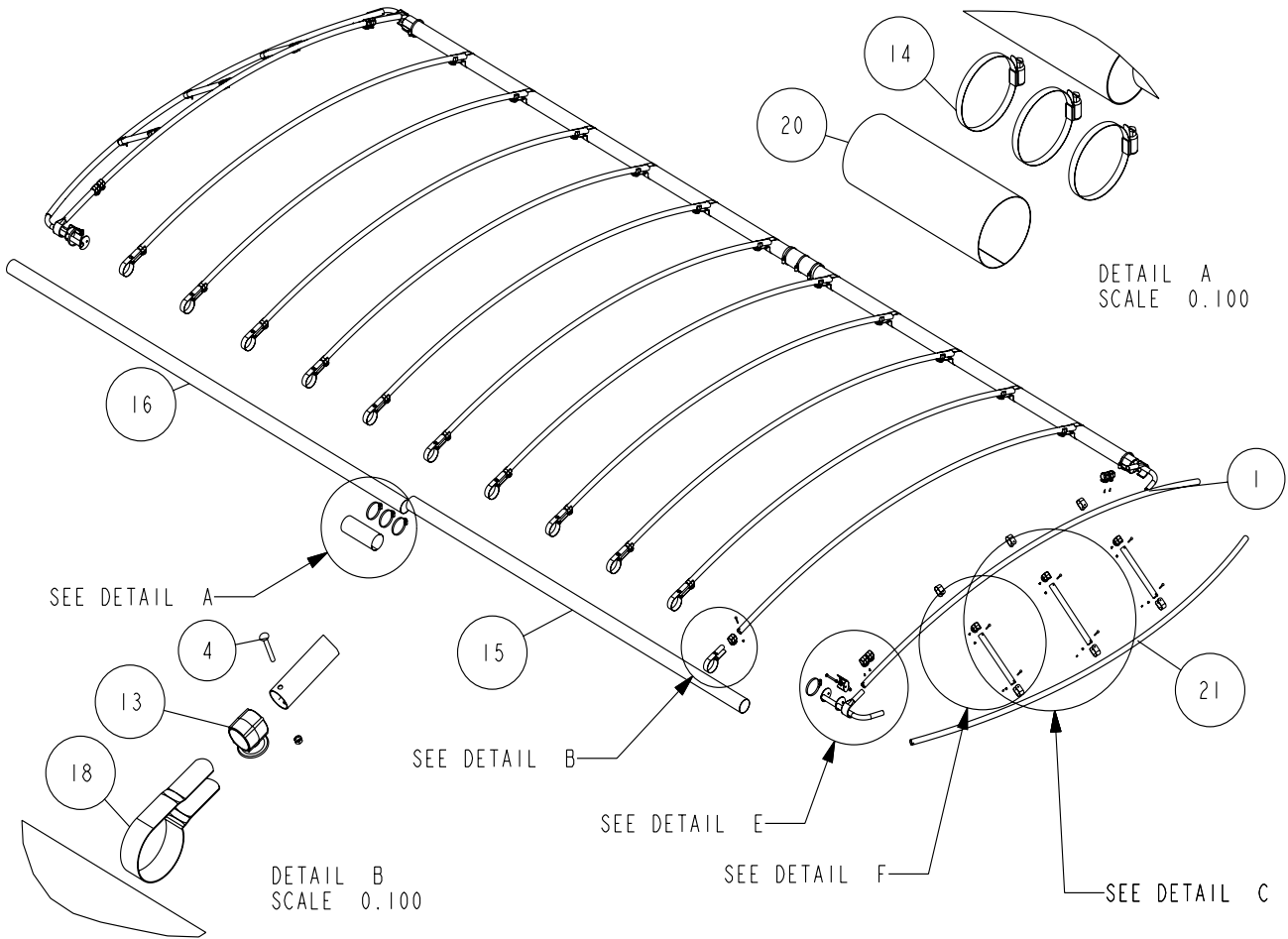
MODEL	WIDTH (inches)	LENGTH (foot.)	NUMBER OF HOOPS	HOOP PART NUMBER	SPLICE INCLUDED (A180)	SIDE FRAME TUBE NUMBER(S)	
CF26-132N	132	26	15	A380	Y	3900527	3900526
CF30-132N	132	30	17	A380	N	3900528	N
CF34-132N	132	34	19	A380	N	67572	N

THE ABOVE ASSEMBLY CF26-132N IS USING HA0039 CANOPY ATTACHING KIT  
THE ABOVE ASSEMBLY USING A CANOPY COVER REQUIRING SIDE STRAPS, SPRINGS  
AND CORDS USE HA0040 CANOPY ATTACHING KIT

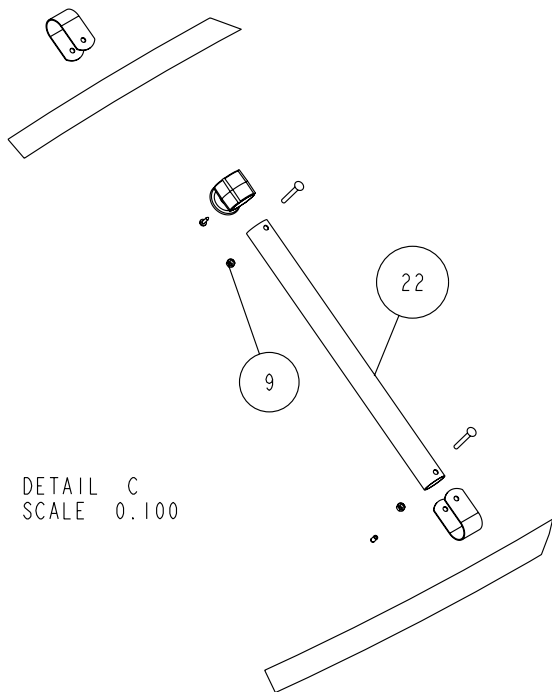
CF30-132N WILL USE HA0042 TO ATTACH THE NEW STYLE CANOPY COVER  
AND WILL HAVE TO USE HA0043 FOR THE OLDER MODEL THAT REQUIRES  
SIDE STRAPS, SPRINGS AND BUNGY CORDS

CF34-132N REQUIRES THAT WE USE HA0044 TO ATTACH THE NEW STYLE CANOPY  
AND USE HA0045 TO ATTACH THE OLDER CANOPY THAT REQUIRES SIDE STRAPS,  
SPRINGS AND BUNGY CORDS.

# Diagram B



BILL OF MATERIALS		
ITEM	PART #	DESCRIPTION
1	67330	CANOPY END WMENT - RIGHT
2	67331	CANOPY END WMENT - LEFT
3	69231	CANOPY END BRACKET
4	0210051	CARR 1/4-20 X 2 1/4 GR5
5	0210145	CARR 3/8-16 X 3 1/2 FULLTHRD GR5
6	0810925	SCREW SELFDRIILL HWH #10-16 X 3/4
7	1340030	LOCKWASHER 3/8 S/T MED ULTRASEAL
8	1340095	WASHER USS FLAT 3/8
9	1410049	HEX NUT FINISH 1/4-20
10	1410109	HEX NUT 3/8-16
11	1440101	HEX LOCKNUT FLANGE 3/8-16 W/T&T
12	3510252	CAP BLACK VINYL .240 X 1/2 HIGH TEMP
13	3510276	CANOPY CORD SPOOL HOOK
14	3610162	HOSE CLAMP N-STYLE STAINLESS
15	3900526	ALUM TUBE 4 OD X .072 W X 131.25 IN
16	3900527	ALUM TUBE 4"OD X.072W
17	A172	CANOPY END SPACER TUBE X 16 IN.
18	A173	HOOP MTG BRKT LOOP
19	A177	END HOOD LOOPS
20	A180	SPLICER C20 AND C22
21	A380	CANOPY BOW FOR 132IN FRAME
22	A382	CANOPY END SPACER TUBE X 19 IN.



## ASSEMBLY INSTRUCTIONS

Break bundles and hardware box. Sort all parts according to size. Depending on the model ordered, you may have extra parts.

### END HOOD ASSEMBLY

(Refer to Diagram A for a final assembly view)

The first step will be to assemble the end hoods. Locate

the adjustable canopy end assemblies. Note that there are two- right and two- left hand assemblies. (See Diagram B, Detail E.)

Next locate two of the canopy bows and place them on the floor or ground with one each of the right and left hand assemblies placed at each end of the bows.

Identify the canopy bow that will be installed as the bow that will form the upper curved portion of the canopy end section. Slide two (2) each of the plastic canopy cord spool hooks on each end of this canopy bow. A total of four canopy cord spool hooks will be placed on this bow.

Insert one end of the two canopy bows over the round tubes on one of the adjustable canopy end assemblies. Note that one bow will lay flat on the floor while the other bow with the canopy cord spool hooks installed will curve upward in the form of the canopy once it is completely assembled.

Insert the other ends of the canopy bows onto the round tubes on the second adjustable end assembly. Make sure that the canopy bows are slid onto the round tubes as far as they can without jamming or driving them on.

Mark the centers on the two canopy bows. Locate one of the 19" canopy end spacer tubes (Item 22 in Diagram B, Detail C). Attach it to the canopy bow that is laying flat on the floor or ground at the center location just marked. Secure together with an end hood loop using a 1/4" x 2-1/4" carriage bolt and nut provided as shown. Slip one of the canopy cord spool hooks onto the 16" canopy end spacer tube. Secure the other end of the spacer tube to the top bow with a second end hood loop and 1/4" x 2-1/4" carriage bolt. Secure with a 1/4" hex nut. Tighten.

Locate one of the 16" canopy end spacer tubes (Item 17 in Diagram B, Detail F). Attach it to the canopy bow that is laying flat on the floor or ground at the 1/4 point (center between the end of the canopy bows and the 19" spacer tube just installed in the center). Secure together with an end hood loop using a 1/4" x 2-1/4" carriage bolt and nut provided as shown. Slip one of the canopy cord spool hooks onto the 12 3/4" canopy end spacer tube. Rotate the spacer tube up and slide either towards or away from the 16" center spacer tube until it will fit between the two canopy bows. Secure the other end of the spacer tube to the top bow with a second end hood loop and 1/4" x 2-1/4" carriage bolt. Secure with a 1/4" hex nut. Tighten. Repeat on the other side of the end hood assembly.

Locate the 1/2" long black plastic caps supplied in the hardware. Push one of them onto each of the bolts sticking through the nut securing the spacer tube to the flat canopy bow. This will protect the vinyl cover from fraying when it comes in contact with the bolt.

Measure up and place a mark at 7 1/2" and 10 1/2" from each end of the upper canopy bow forming the top curve. Place the mark on the bottom side of the tube.

Locate a No. 10 x 3/4" self-drilling screw. Position the bottom edge of the canopy cord spool hook on the 10 1/2" mark. Position so the spool of the molding is pointing directly down.

Secure in this position by placing the self-drilling screw into the center hole of the spool, then drilling the screw in to attach it to the canopy bow.

Place the bottom edge of the second canopy cord spool hook at the 7 1/2" mark. . Position so the spool of the molding is pointing directly down. Secure in this position by placing the self-drilling screw into the center hole of the spool, then drilling the screw in to attach it to the canopy bow.

Measure and place a mark at 2" from the top of the 19" and the 16" canopy end spacer tubes. Locate a No. 10 x 3/4" self-drilling screw. Position the top edge of the canopy cord spool hook on the 2" mark. Position so the spool of the molding is pointing inward as shown. Secure in this position by placing the self-drilling screw into the center hole of the spool, then drilling the screw in to attach it to the canopy bow.

Repeat the above process on the other end hood assembly.

### **FRAME ASSEMBLY INSTRUCTIONS**

Locate the four 4" side frame tubes. Note that there are two different lengths except for the CF30. It has one long side frame tube for each side. Identify a smooth flat surface that they can be laid on during assembly because it makes the process much easier to accomplish. Measure and place a mark at 6" from one end of each of the side frame tubes. Loosen four of the stainless steel hose clamps large enough so they will slide over the side frame splice, Ref. 14 in Detail B. Mate the marked ends of a short and long side frame tube together. Slide the splice onto the first side frame tube until it meets the 6" mark. Place the second side frame tube into the splice until the ends of the side frame tubes are touching each other. Note: The side frame tubes nudged together is very important because it adds considerable strength to the joint once it is fully assembled and tightened properly. The ends of the side frame tubes must be centered in the splice.

Repeat the process on the other side frame tube.

Tighten the stainless steel hose clamps evenly and securely

around the side frame splice placing two of the clamps at the very ends of the side frame splice and one in the center of the splice where the ends of the side frame tubes meet inside the splice.

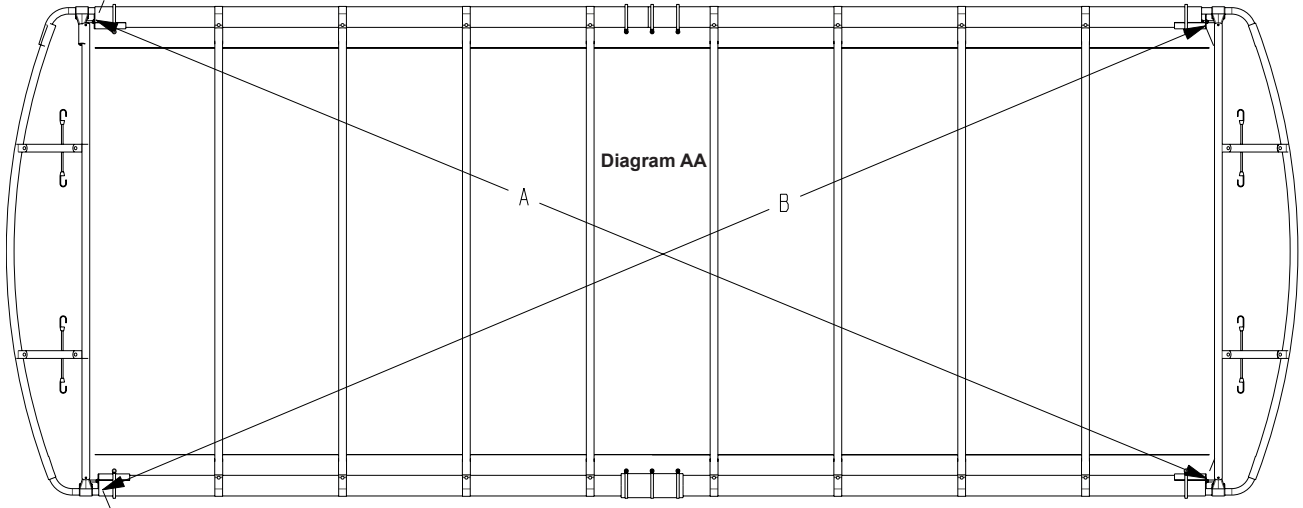
The frame is easiest assembled when it is assembled on four sawhorses or something of this height. Place the two sideframe tubes on the sawhorses located at a spacing that is comparable to the width of the canopy once it is assembled. Place the two side frame tube assemblies so the splicers are directly across from each other (long side frame tubes are at same end of canopy). Insert the two end hood assemblies just assembled into the ends of the 4" diameter side frame tubes. This will properly space the tubes and keep them positioned while the balance of the bows are assembled to the side frames. Make sure the adjustable end hood assemblies are slid completely in and against the end of the side frame tube. Secure in this position by placing a stainless steel hose clamp around the side frame tube and also around the end hood tube stop weldment approximately 1" from the end of the side frame tube. Position the tightening mechanism on the clamp so it is located on the inside of the side frame tube and in a position that won't interfere with the canopy cover when it is pulled around the side frame tube during installation.

The canopy bows are to be spaced on 24" centers. Using a tape measure, place the first mark at 22". Then mark The balance of the side frame 24" intervals the full length of the side frame tubes.

Locate the balance of the canopy bows. Slide two (2) each of the canopy cord spool hooks on each bow, then attach them to the side frames using the hoop mounting bracket loops provided.

Note that they have to be formed around the side frame tube when assembling. Align the hole in each end of the hoop mounting loop with the holes in the end of the canopy bow. Secure together using 1/4" x 2-1/4" carriage bolts and hex nuts. Thread on the nuts but do not tighten until instructed. Repeat the above process on all of the canopy bows. Once they are all attached to the side frames, relocate them so they are on the 24" marks identified earlier.

## CHECKING FOR CANOPY FRAME SQUARE



Check for square by using a tape measure or string. Measure from one end of the side frame tube on one side of the framework to the other side frame tube on the other side of the framework.

Pull a tape measure or string from the opposite ends of the canopy side frames across the framework as shown in the above diagram.

Measurements A and B must match each other in order for the framework to be square. If they don't, slide one side frame either forward or backward until matching measurements are achieved. Once achieved, tighten all of the bolts attaching the canopy bows to the side frames. the framework assembly is now complete.

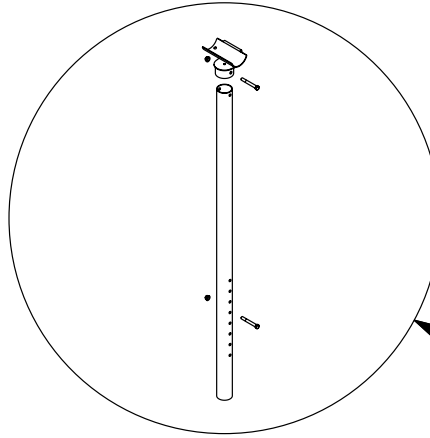
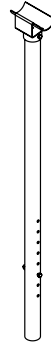
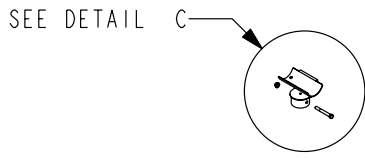
The canopy post assembly and installation instructions are supplied with the canopy post bundles and are located in the support cup box. Please use these instructions to attach the canopy posts to your hoist.

The following canopy post bundles are required to fit the following hoist.

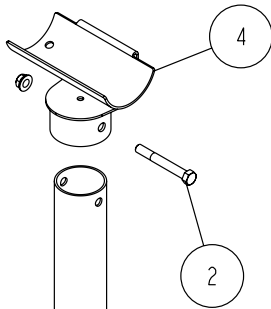
Once the canopy posts have been installed on your hoist continue to attach the canopy frame and vinyl as follows.

Hoist Model	Canopy Post Required	Consists of Bundles
SSV60132	CP90F	68327, 68318
SSV60132 DW	CP32M	68325, 68318
SSV90132 HYD	CP90H	67567, 68317
	CP72H	68332, 68317
SSV90132 DW HYD	CP32H	67320, 68317

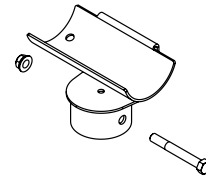
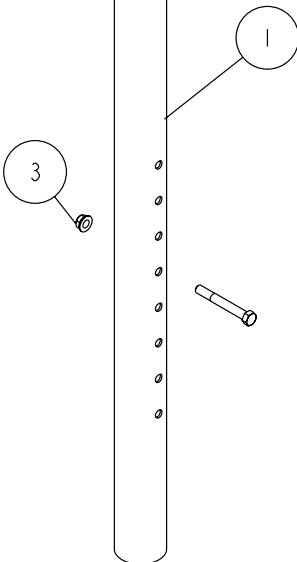
CP72H - CANOPY POST BUNDLE



SEE DETAIL D



DETAIL D  
SCALE 0.100

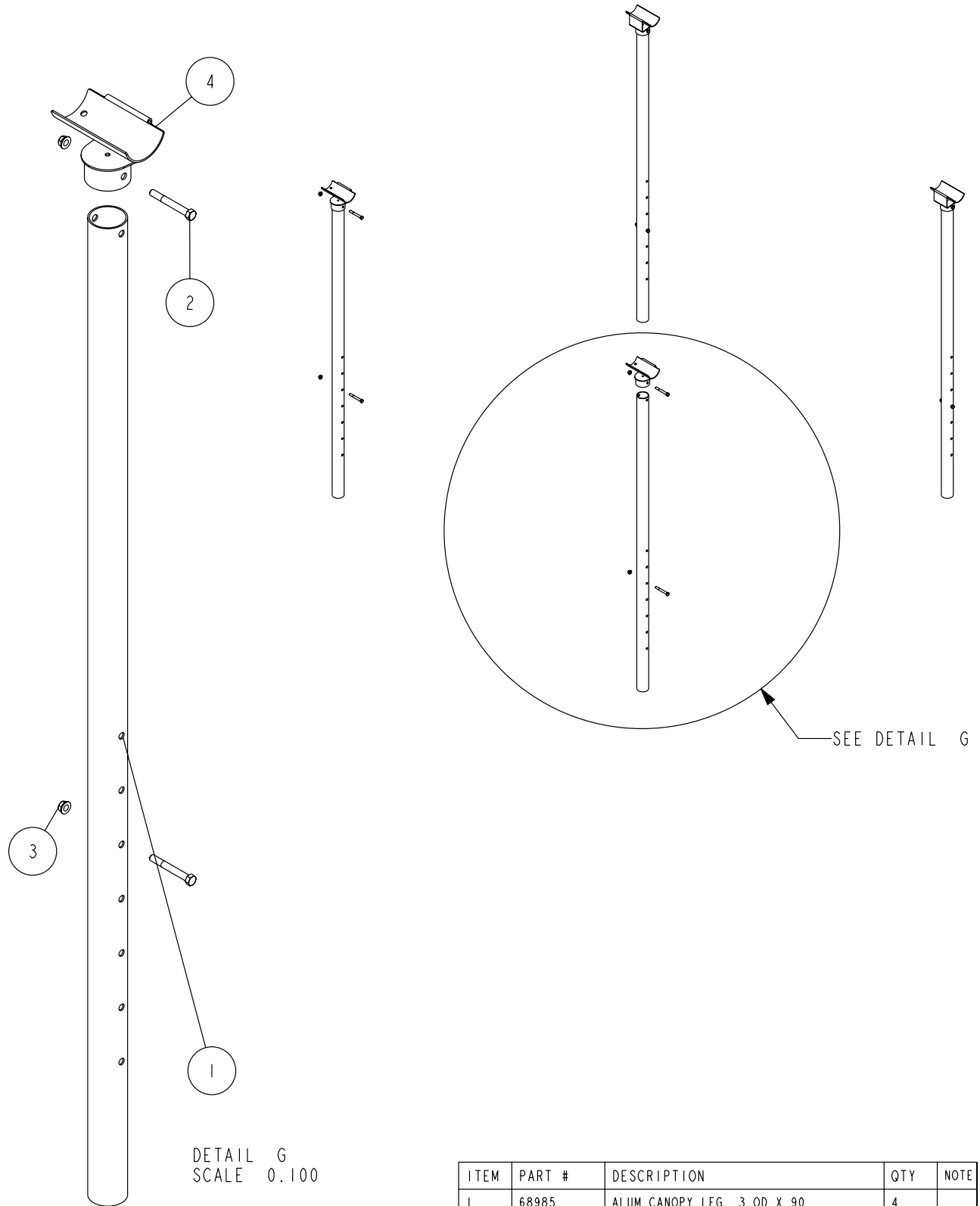


DETAIL C  
SCALE 0.100

ITEM	PART #	DESCRIPTION	QTY	NOTE
1	68981	CANOPY EXTENSION LEG 72"	3	
2	0110114	HH 1/2-13 X 4 CS GR5	7	
3	1440102	HEX LOCKNUT FLANGE 1/2-13 W/T&T	7	
4	A209	SUPPORT CUP WITH 3 1/2 OD TUBE	4	

DWG: CF-132N      REV: 1.1

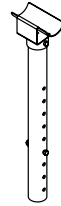
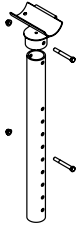
CP90H - CANOPY POST BUNDLE



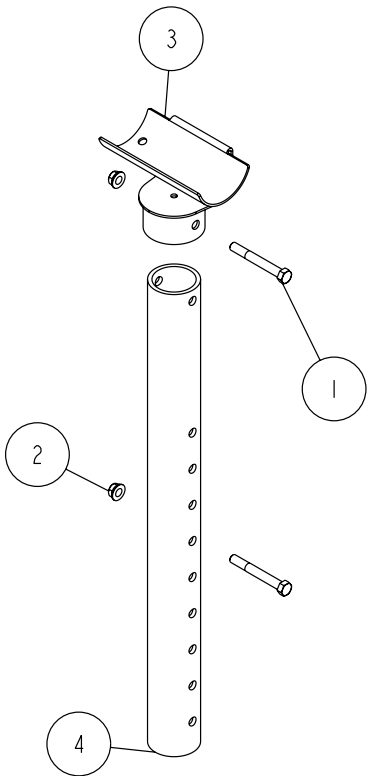
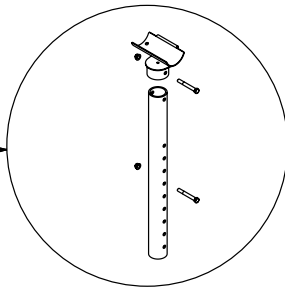
ITEM	PART #	DESCRIPTION	QTY	NOTE
1	68985	ALUM CANOPY LEG 3 OD X 90	4	
2	0110114	HH 1/2-13 X 4 CS GR5	8	
3	1440102	HEX LOCKNUT FLANGE 1/2-13 W/T&T	8	
4	A209	SUPPORT CUP WITH 3 1/2 OD TUBE	4	

DWG: CF-132N      REV: 1.1

CP32H - CANOPY POST BUNDLE



SEE DETAIL H



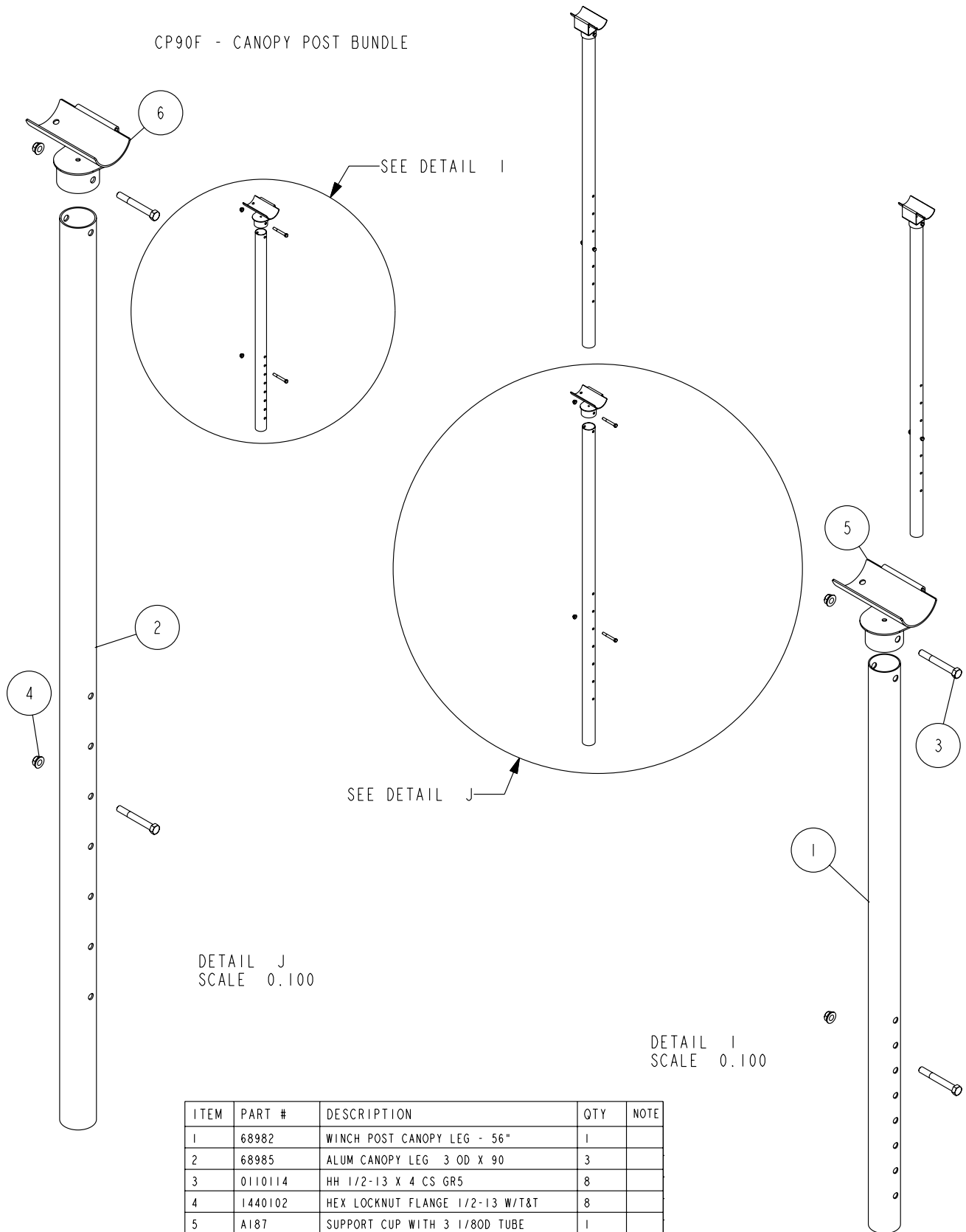
DETAIL H  
SCALE 0.100

ITEM	PART #	DESCRIPTION	QTY	NOTE
1	0110114	HH 1/2-13 X 4 CS GR5	8	
2	1440102	HEX LOCKNUT FLANGE 1/2-13 W/T&T	8	
3	A209	SUPPORT CUP WITH 3 1/2 OD TUBE	4	
4	A315	ADJUSTABLE LEG 30D X 2 1/21DX32	4	

DWG:CF-132N REV:1.2



CP90F - CANOPY POST BUNDLE



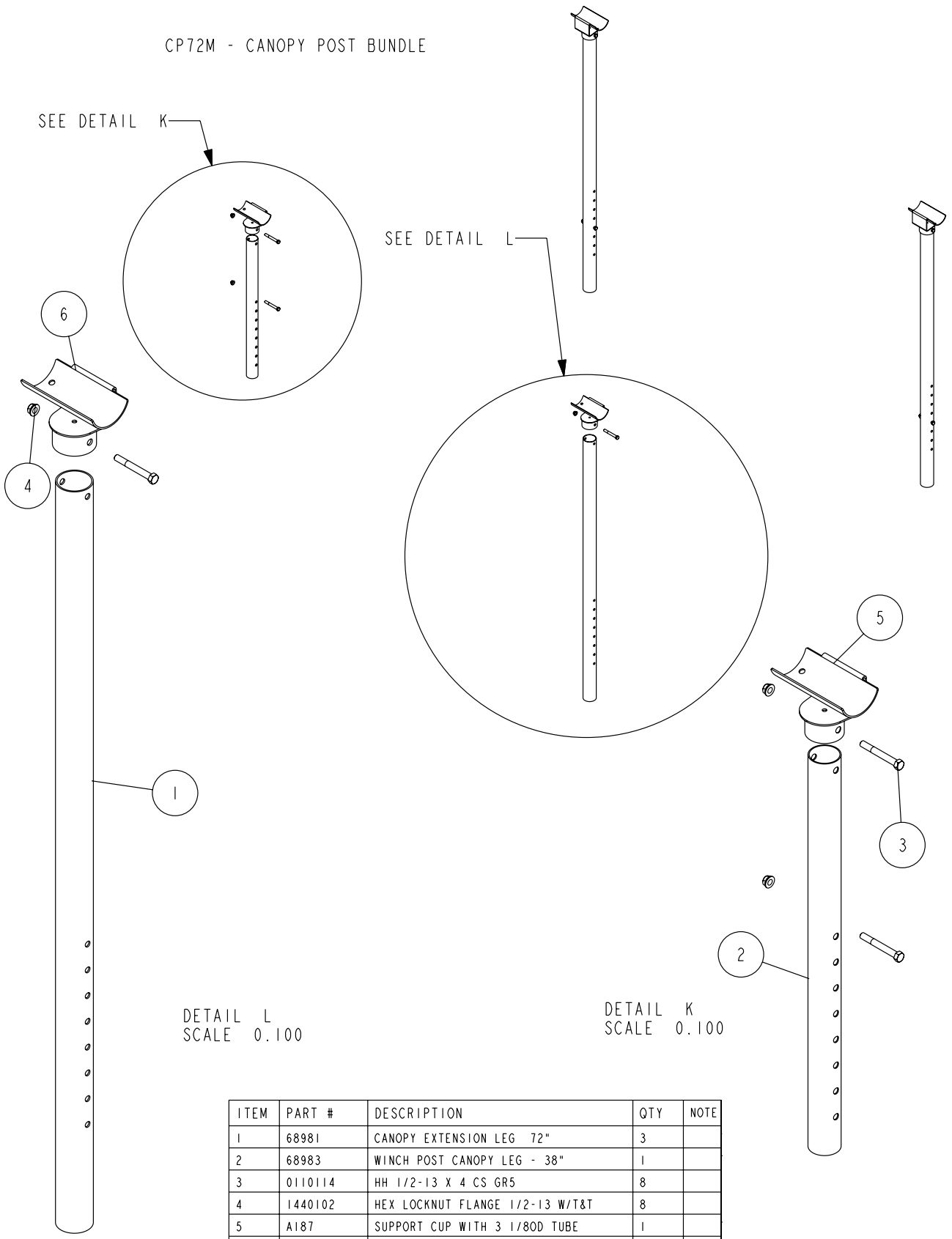
DETAIL J  
SCALE 0.100

DETAIL I  
SCALE 0.100

ITEM	PART #	DESCRIPTION	QTY	NOTE
1	68982	WINCH POST CANOPY LEG - 56"	1	
2	68985	ALUM CANOPY LEG 3 OD X 90	3	
3	0110114	HH 1/2-13 X 4 CS GR5	8	
4	1440102	HEX LOCKNUT FLANGE 1/2-13 W/T&T	8	
5	A187	SUPPORT CUP WITH 3 1/8OD TUBE	1	
6	A209	SUPPORT CUP WITH 3 1/2 OD TUBE	3	

DWG:CF-132N      REV:1.2

CP72M - CANOPY POST BUNDLE



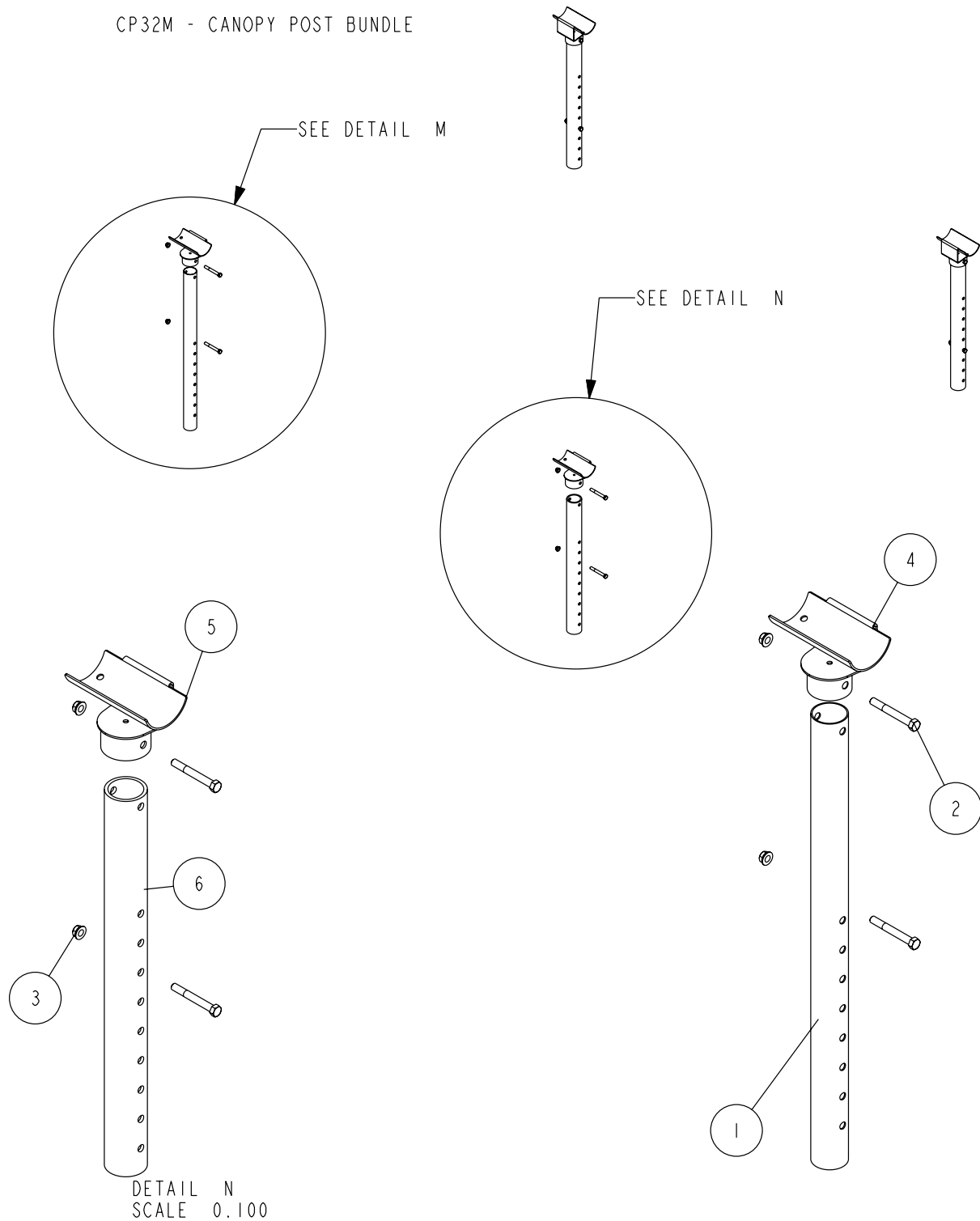
DETAIL L  
SCALE 0.100

DETAIL K  
SCALE 0.100

ITEM	PART #	DESCRIPTION	QTY	NOTE
1	68981	CANOPY EXTENSION LEG 72"	3	
2	68983	WINCH POST CANOPY LEG - 38"	1	
3	0110114	HH 1/2-13 X 4 CS GR5	8	
4	1440102	HEX LOCKNUT FLANGE 1/2-13 W/T&T	8	
5	A187	SUPPORT CUP WITH 3 1/8OD TUBE	1	
6	A209	SUPPORT CUP WITH 3 1/2 OD TUBE	3	

DWG:CF-132N      REV:1.2

CP32M - CANOPY POST BUNDLE



DETAIL N  
SCALE 0.100

DETAIL M  
SCALE 0.100

ITEM	PART #	DESCRIPTION	QTY	NOTE
1	68983	WINCH POST CANOPY LEG - 38"	1	
2	0110114	HH 1/2-13 X 4 CS GR5	8	
3	1440102	HEX LOCKNUT FLANGE 1/2-13 W/T&T	8	
4	A187	SUPPORT CUP WITH 3 1/8OD TUBE	1	
5	A209	SUPPORT CUP WITH 3 1/2 OD TUBE	3	
6	A315	ADJUSTABLE LEG 30D X 2 1/2IDX32	3	

DWG:CF-132N      REV:1.1

## ATTACHING THE CANOPY FRAME TO THE CANOPY POSTS



Determine the end of the hoist that your boat will enter the hoist. This is the same end that the motor stop will be mounted on. Your boat will then be positioned on the hoist so that more boat will be extending forward of the hoist upright post than what will be extended to the rear. This is important because you will want to position the canopy side frames so that the longer section of side frame extends to the front as well. This allows the splice in the side frame to be positioned more in the center of the support cups resulting in more strength.

Once the canopy is properly positioned, raise the canopy frame up and place it so the side frame tubes are resting in the support cups on top of the canopy posts. Position the canopy frame to the proper position to best protect your boat by sliding it either forward or backward in the support cups. Also the framework should be checked again for being square. It is possible that this may have changed in the process of raising it into position. When the desired position is achieved secure it to the support cups by placing the large stainless steel adjustable hose clamps around the support cup and the canopy side frame. Two hose clamps must be placed on each end of each support cup. Place the hose clamps so that the tightening mechanism of the clamp is located on the inside portion of the canopy side frame tube. Tighten. The tightening mechanism is to be located in this position so that it doesn't interfere with the cover when it is installed.

**NOTE:** The CF30-132 is shipped standard with the HA0007 Brace Bundle. The CF34-132 is shipped with and requires the HA0008 Brace Bundle.

The assembly instructions are included with the brace bundles. These brace bundles must be installed before the vinyl is placed on the frame.

## INSTALLING THE VINYL COVER TO THE FRAME



Remove the vinyl cover from the box. Unroll the vinyl cover down the side frame as shown. When completely unrolled, unfold the cover across the canopy bows and pull down over the framework.



The bungee cords are manufactured to the correct length before they are installed in the cover at the factory.

The installation process is as follows:

Stretch and attach the end loops on the side frame bungee cords over the rim of the plastic canopy cord spool hook attached at the 10 1/2" mark.

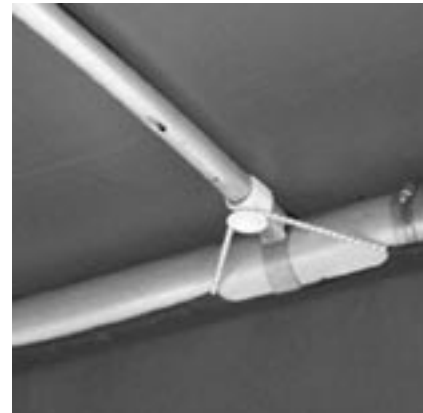
Stretch and attach the end loops on the bungee in the end of the canopy to the canopy cord spool hook positioned at the 7 1/2" mark in a similar manner.

Pull the end bungee cord from the next slot in the end strap back up and over the same canopy cord spool hook as shown. Repeat on the other side of the canopy.



Hook the center bungee up over the canopy cord spool hook located at the top of the 16" canopy spacer tube. Then hook over the canopy cord spool hooks at the top of the 12 3/4" spacer tubes.

Repeat this procedure on the other end of the cover making sure the cover is centered the same on each end.



Starting at the middle of the side frames front to rear, pull the bungee cord on the sides of the canopy cover over the top side of the canopy cord spool hooks. Alternate from side to side of the canopy so the cover stays centered on the frame. Continue until they are all attached.

Once the bungee has been looped over all of the canopy cord spool hooks, check each one for adequate tension. The bungee can be pulled through the sewn in pocket so that the tension of the cord over each spool hook can be made even the full length and width of the cover.

Check for tension again. If bungee appears tight, assembly is complete.

If the bungee feel like they need to be tighter, they can be tightened by simply wrapping an additional wrap of the bungee cord around one of the canopy cord spool hooks. It may be tightened more by repeating this process on as many canopy cord spool hooks as needed.

### CANOPY END HOOD ADJUSTMENT

Your new canopy frame has adjustable end hood brackets which allow the frame to be adjusted a total of 1-1/2" shorter or 1-1/2" longer from its normal shipped position. This allows you to adjust your frame to fit the cover for length should it need adjusting. The following instructions will assist you in adjusting the frame length.

1. Loosen the nuts on the adjusting bolts located in the end of the sideframe tube weldments. Doing so will shorten the overall length of the frame.
2. The frame can be lengthened to fit the cover by tightening the nuts on the bolts in the side frame tube stop weldments just loosened in Step 1.

Turn clockwise. As the nut is threaded onto the bolt it will pull the end hood out of the side frame thus increasing the length of the canopy framework.

Continue to lengthen the frame until it is the right length to fit the cover.

3. Once the proper length for the frame has been achieved, stop turning the nut.

Adjustment is complete.

## CANOPY COVER (VINYL) MAINTENANCE

This canopy contains a mildew retardant. Please follow these recommendations to insure that this agent is not destroyed and that the vinyl will not be damaged.

1. Ordinary oil and dirt can be removed with soapy water such as laundry detergent. Apply with a mop, sponge, brush or cloth followed by a clear-water rinse. Stubborn spots can be removed by using rubbing (Isopropyl) alcohol in a well-ventilated area, away from open flames. DO NOT USE gasoline, kerosene, methyl ethyl Keytone (MEK) or other solvents or bleaches.
2. Remove canopy when hoist is in storage. Make sure canopy is dry before folding and store in a warm, dry location.

## WARRANTY

Refer to your **ShoreStation** Owner's Packet for warranty information.

## CF26-132N

Bundle Number	Description	Quantity
69093	Side Frame Tube Bundle - F261	1
61313	Hoop Bundle - C26AW	1
69094	Hdwe Box - Canopy Frame 24/26-120	1
HA0039	Canopy Attach Hdwe 22/24/26-108/	1
68321	Canopy Brace Tube - Alum Bundle	1
68345	Brace Box CF26 - CF30	1

## CF30-132N

Bundle Number	Description	Quantity
69095	Side Frame Tube Bundle - F30A	1
68339	Hoop Bundle - F30	1
69096	Hdwe Box - Canopy Frame 30-120 & 30-132	1
HA0042	Canopy Attach Hdwe 30-120 /132N	1
68321	Canopy Brace Tube - Alum Bundle	1
68345	Brace Box CF26 - CF30	1

## CF34-132N

Bundle Number	Description	Quantity
69097	Side Frame Tube Bundle - SSF34	1
67570	Hoop Bundle - SSF34	1
69098	Hdwe Box - Canopy Frame 34-132	1
HA0044	Canopy Attach Hdwe 34-132N	1
67568	Canopy Brace Tube Bundle SSF34	1
68346	Brace Box 34' and Longer	1