

### CF13-108N Canopy Frame for the SSD8521 & SSD10521

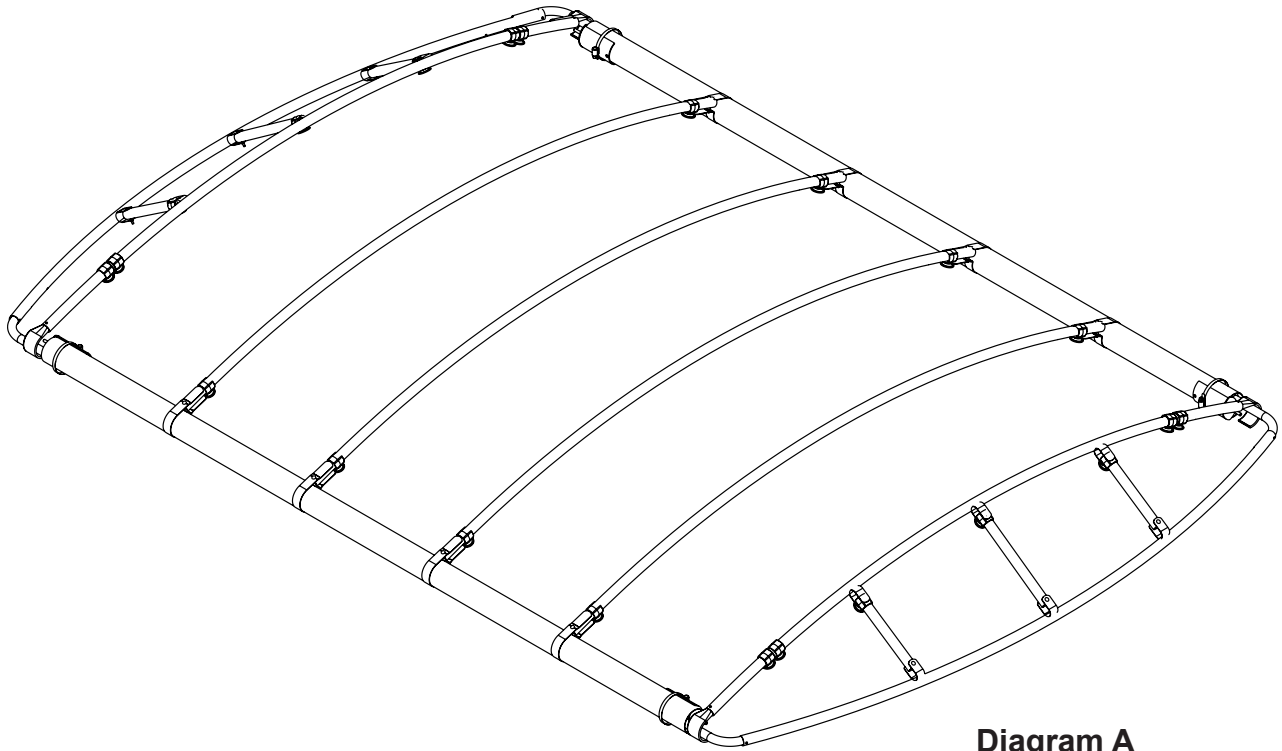


Diagram A

#### Bundles Required

- 63129 Hoop Bundle - F13108
- 69083 Side Frame Tube Bndl 13-108
- 69084 Hdwe Box - Canopy 13-108
- HA0033 Canopy Attaching Hdwe 13-108
- or
- HA0035 Canopy Attaching Hdwe 13-108 OS

BILL OF MATERIALS		
ITEM	PART #	DESCRIPTION
1	67326	SIDEFRAME TUBE STOP WMENT
2	67330	CANOPY END WMENT - RIGHT
3	67331	CANOPY END WMENT - LEFT
4	0210051	CARR 1/4-20 X 2 1/4 GR5
5	0210145	CARR 3/8-16 X 3 1/2 FULLTHRD GR5
6	0810925	SCREW SELFDRILL HWH #10-16 X 3/4
7	1340030	LOCKWASHER 3/8 S/T MED ULTRASEAL
8	1340095	WASHER USS FLAT 3/8
9	1410049	HEX NUT FINISH 1/4-20
10	1410109	HEX NUT 3/8-16
11	1440101	HEX LOCKNUT FLANGE 3/8-16 W/T&T
12	3510252	CAP BLACK VINYL .240 X 1/2 HIGH TEMP
13	3510276	CANOPY CORD SPOOL HOOK
14	3610162	HOSE CLAMP N-STYLE STAINLESS
15	3900526	ALUM TUBE 4 OD X .072 W X 131.25 IN
16	A165	CANOPY BOW HOOPS 108 IN
17	A171	CANOPY END SPACER TUBE X 12 3/4IN.
18	A172	CANOPY END SPACER TUBE X 16 IN.
19	A173	HOOP MTG BRKT LOOP
20	A177	END HOOD LOOPS

## ASSEMBLY INSTRUCTIONS

Break bundles and hardware box. Sort all parts according to size. Depending on the model ordered, you may have extra parts.

### END HOOD ASSEMBLIES

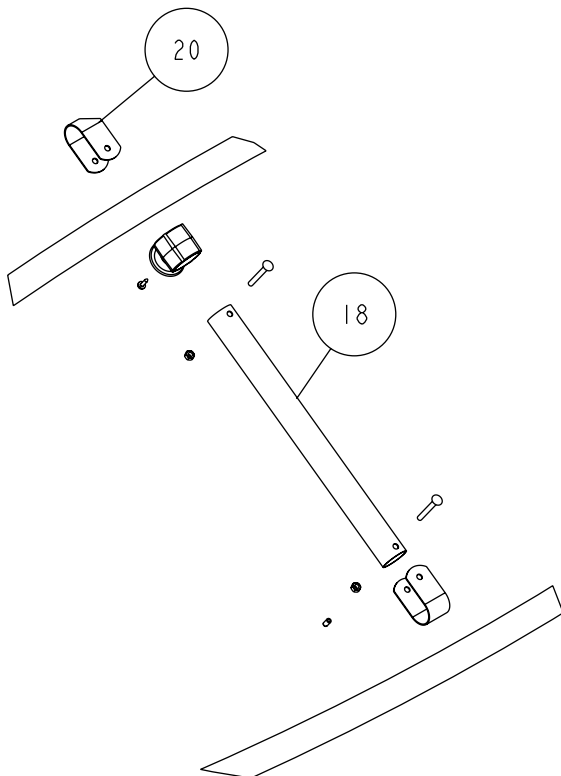
The first step will be to assemble the end hoods. Locate the adjustable canopy end assemblies. Note that there are two- right and two- left hand assemblies. (See Diagram B.)

Next locate two of the canopy bows and place them on the floor or ground with one each of the right and left hand assemblies placed at each end of the bows.

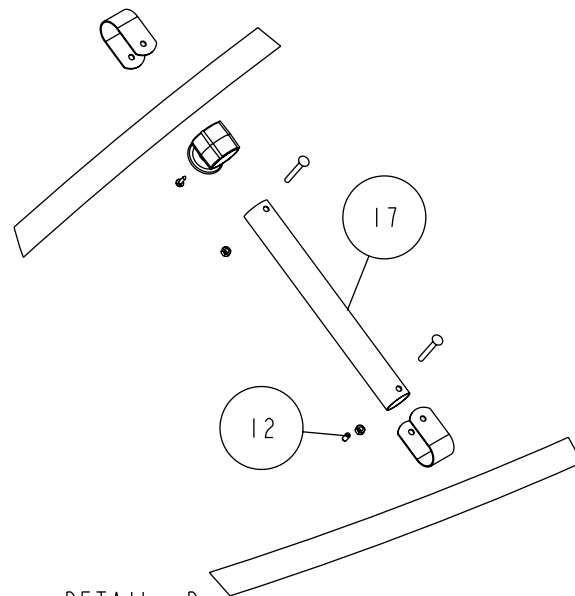
Identify the canopy bow that will be installed as the bow that will form the upper curved portion of the canopy end section. Slide two (2) each of the plastic canopy cord spool hooks on each end of this canopy bow. A total of four canopy cord spool hooks will be placed on this bow.

Insert one end of the two canopy bows over the round tubes on one of the adjustable canopy end assemblies. Note that one bow will lay flat on the floor while the other bow with the canopy cord spool hooks installed will curve upward in the form of the canopy once it is completely assembled.

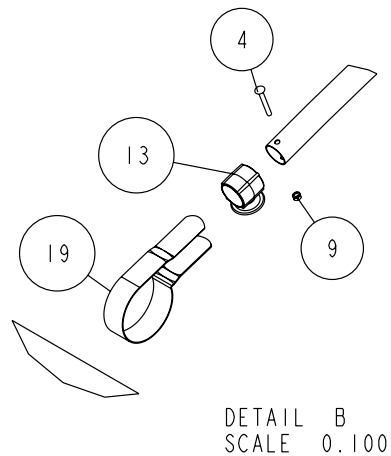
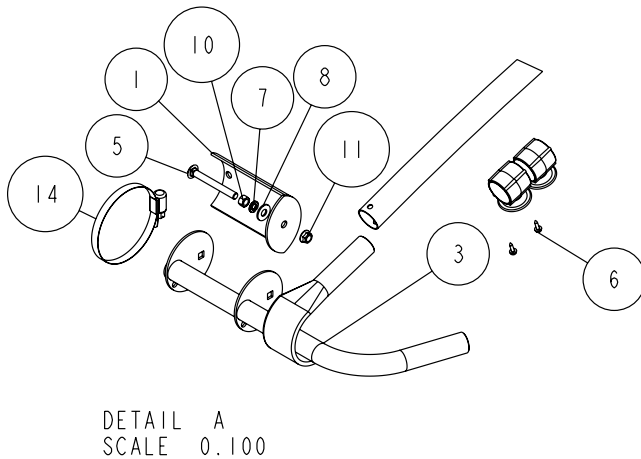
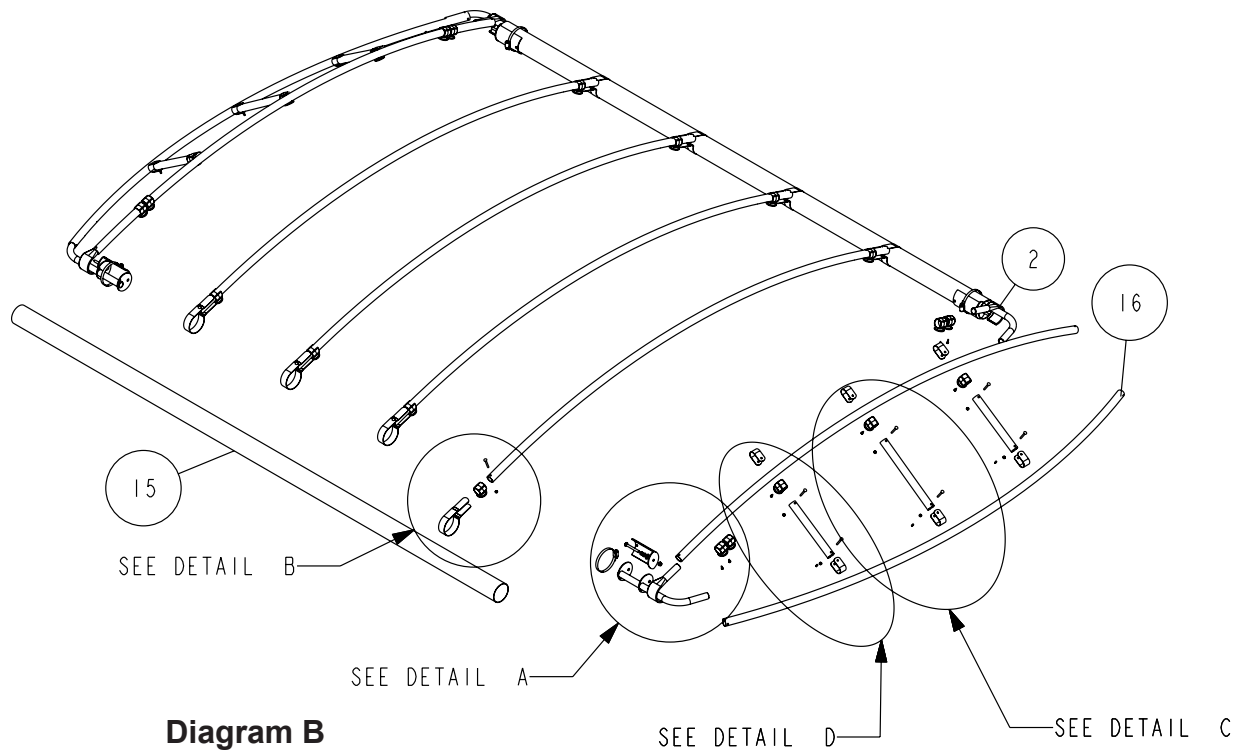
Insert the other ends of the canopy bows onto the round tubes on the second adjustable end assembly.



DETAIL C  
SCALE 0.100



DETAIL D  
SCALE 0.100



Make sure that the canopy bows are slid onto the round tubes as far as they can without jamming or driving them on.

Mark the centers on the two canopy bows. Locate one of the 16" canopy end spacer tubes (Item 18 in Diagram B, Detail C). Attach it to the canopy bow that is laying flat on the floor or ground at the center location just marked. Secure together with an end hood loop using a 1/4" x 2-1/4" carriage bolt and nut provided as shown. Slip one of the canopy cord spool hooks onto the 16" canopy end spacer tube. Secure the other end of the spacer tube to the top bow with a second end hood loop and 1/4" x 2-1/4" carriage bolt. Secure with a 1/4" hex nut. Tighten.

Locate one of the 12 3/4" canopy end spacer tubes (Item 17 in

Diagram B, Detail D). Attach it to the canopy bow that is laying flat on the floor or ground at the 1/4 point (center between the end of the canopy bows and the 16" spacer tube just installed in the center). Secure together with an end hood loop using a 1/4" x 2-1/4" carriage bolt and nut provided as shown. Slip one of the canopy cord spool hooks onto the 12 3/4" canopy end spacer tube. Rotate the spacer tube up and slide either towards or away from the 16" center spacer tube until it will fit between the two canopy bows. Secure the other end of the spacer tube to the top bow with a second end hood loop and 1/4" x 2-1/4" carriage bolt. Secure with a 1/4" hex nut. Tighten.

Repeat on the other side of the end hood assembly.

Locate the ½" long black plastic caps supplied in the hardware. Push one of them onto each of the bolts sticking through the nut securing the spacer tube to the flat canopy bow. This will protect the vinyl cover from fraying when it comes in contact with the bolt.

Measure up and place a mark at 7 ½" and 10 ½" from each end of the upper canopy bow forming the top curve. Place the mark on the bottom side of the tube.

Locate a No. 10 x ¾" self-drilling screw. Position the bottom edge of the canopy cord spool hook on the 10 ½" mark. Position so the spool of the molding is pointing directly down. Secure in this position by placing the self-drilling screw into the center hole of the spool, then drilling the screw in to attach it to the canopy bow.

Place the bottom edge of the second canopy cord spool hook at the 7 ½" mark. Position so the spool of the molding is pointing directly down. Secure in this position by placing the self-drilling screw into the center hole of the spool, then drilling the screw in to attach it to the canopy bow.

Measure and place a mark at 2" from the top of the 16" and the 12 ¾" canopy end spacer tubes. Locate a No. 10 x ¾" self-drilling screw. Position the top edge of the canopy cord spool hook on the 2" mark. Position so the spool of the molding is pointing inward as shown. Secure in this position by placing the self-drilling screw into the center hole of the spool, then drilling the screw in to attach it to the canopy bow.

Repeat the above process on the other end hood assembly.

## FRAME ASSEMBLY INSTRUCTIONS

The frame is easiest assembled when it is assembled on four sawhorses or something of this height. Place the two side-frame tubes on the sawhorses located at a spacing that is comparable to the width of the canopy once it is assembled. Insert the two end hood assemblies just assembled into the ends of the 4" diameter side frame tubes. This will properly space the tubes and keep them positioned while the balance of the bows are assembled to the side frames. Make sure the adjustable end hood assemblies are slid completely in and against the end of the side frame tube. Secure in this position by placing a stainless steel hose clamp around the side frame tube and also around the end hood tube stop weldment approximately 1" from the end of the side frame tube. Position the tightening mechanism on the clamp so it is located on the inside of the side frame tube and in a position that won't interfere with the canopy cover when it is pulled around the side frame tube during installation. See Detail A.

The canopy bows are to be spaced on the following centers. Using a tape measure place a mark at 24.5", then at 27"

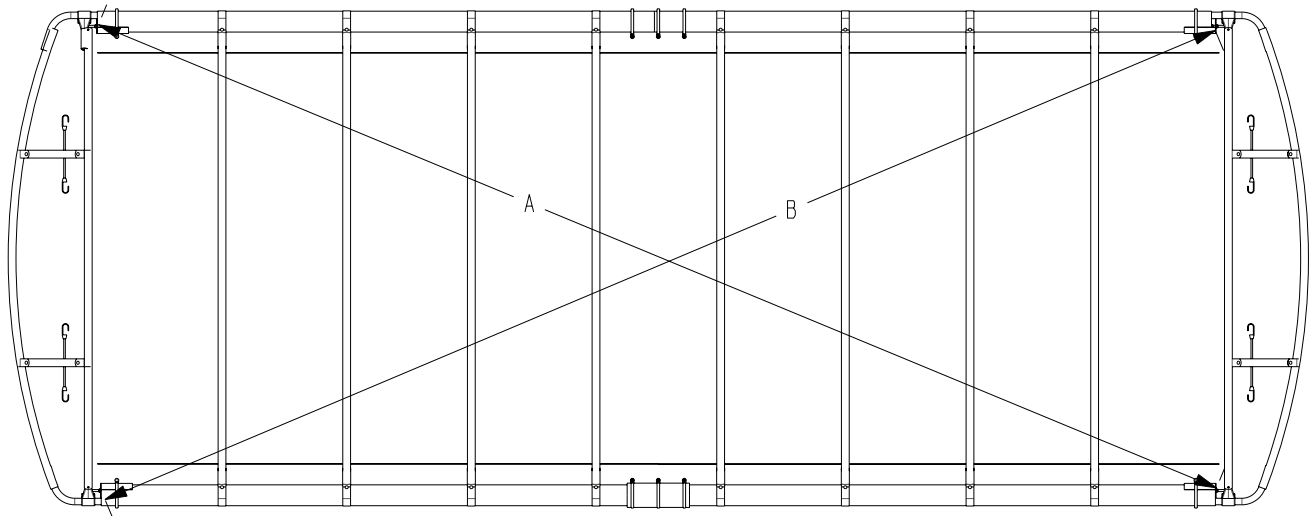
intervals. The last canopy bow on the other end of the side frame will be 24.5" from the end.

Locate the balance of the canopy bows. Slide two (2) each of the canopy cord spool hooks on each bow, then attach them to the side frames using the hoop mounting bracket loops provided. Note that they have to be formed around the side frame tube when assembling. Align the hole in each end of the hoop mounting loop with the holes in the end of the canopy bow.

Secure together using 1/4" x 2-1/4" carriage bolts and hex nuts. Thread on the nuts but do not tighten until instructed. Repeat the above process on all of the canopy bows. Once they are all attached to the side frames, relocate them so they are on the marked centers identified earlier.

Check the canopy frame for square by measuring the framework as shown in Diagram AA. This is very important in order for the vinyl cover to fit properly when it is installed.

## CHECKING FOR CANOPY FRAME SQUARE



**Diagram AA**

Check for square by using a tape measure or string. Measure from one end of the side frame tube on one side of the framework to the other side frame tube on the other side of the framework.

Pull a tape measure or string from the opposite ends of the canopy side frames across the framework as shown in the above diagram.

Measurements A and B must match each other in order for the framework to be square. If they don't, slide one side frame either forward or backward until matching measurements are achieved. Once achieved, tighten all of the bolts attaching the canopy bows to the side frames. the framework assembly is now complete.

## CANOPY POST INSTALLATION

Locate the support cups and the upright-canopy posts bundle. Attach two of the support cups to the two canopy legs using 1/2" x 4" hex bolts and flange lock nuts.

Drop a canopy leg into the upright post of the hoist on the end opposite the winch post end positioning it so that the open side of the curved portion of the support cup just attached is towards the outside of the canopy side frame. See pictures below. This is important because the side pocket of the canopy cover will be drawn around the side-frame tube into this area when it is installed. Attach the canopy leg assembly to the upright post with a 1/2" x 4" hex bolt and flange lock nut. Tighten.

Repeat this process on the other upright post on the opposite end of the winch.

Attach the other two support cups directly onto the top of the two upright posts on the winch post end of the hoist positioning them in the same manner and attaching them with 1/2" x 4" hex bolts and flange lock nuts. Tighten.



## ATTACHING THE CANOPY FRAME TO THE CANOPY POSTS



Raise the canopy frame up and place it so the side frame tubes are resting in the support cups on top of the canopy posts. Position the canopy frame to the proper position to best protect your boat

by sliding it either forward or backward in the support cups. Also the framework should be checked again for being square by the process discussed earlier. It is possible that this may have changed in the process of raising it into position. When the desired position is achieved secure it to the support cups by placing the large stainless steel adjustable hose clamps around the support cup and the canopy side frame. One hose clamp should be placed on each end of each support cup. Place the hose clamp so that the tightening mechanism of the clamp is located on the inside portion of the canopy side frame tube. Tighten. The tightening mechanism is to be located in this position so that it don't interfere with the cover when it is installed.

## INSTALLING THE VINYL COVER TO THE FRAME



Remove the vinyl cover from the box. Unroll the vinyl cover down the side frame as shown. When completely unrolled, unfold the cover across the canopy bows and pull down over the framework so it is evenly positioned and centered on the framework.



The bungee cords are manufactured to the correct length before they were installed in the cover at the factory.

The installation process is as follows:

Stretch and attach the end loops on the side frame bungee cords over the rim

of the plastic canopy cord spool hooks attached at the 10 1/2" mark.

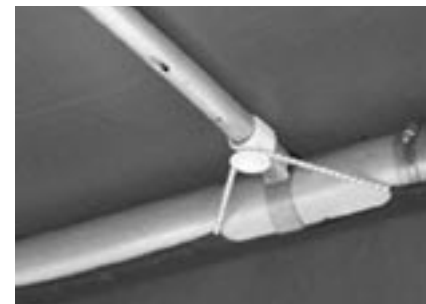
Stretch and attach the end loops on the bungee in the end of the canopy to the canopy cord spool hooks positioned at 7 1/2" inch mark in a similar manner.

Pull the end bungee cord from the next slot in the end strap back up and over the same canopy cord spool hook as shown. Repeat on the other side of the canopy.



Hook the center bungee up over canopy cord spool hook at the top of the 16" canopy spacer tube. Then hook over the other canopy cord spool hooks on the top of the 12 3/4" spacer tubes.

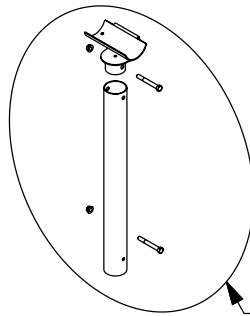
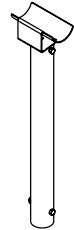
Repeat this procedure on the other end of the cover making sure the cover is centered the same on each end.



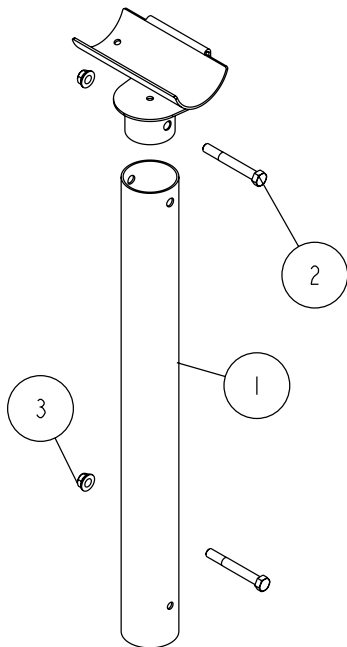
Starting at the middle of the side frames front to rear, pull the bungee cord on the sides of the canopy cover over the top side of the canopy cord spool hooks. Alternate from side to side of the canopy so the cover stays centered on the frame. Continue until they are all attached.

Continue to page 8.

CP30A - CANOPY LEG BUNDLE



SEE DETAIL A



DETAIL A  
SCALE 0.100

**BILL OF MATERIALS**

ITEM	PART #	DESCRIPTION	QTY
1	63035	NON ADJ. CANOPY LEG F1352	2
2	0110114	HH 1/2-13 X 4 CS GR5	6
3	1440102	HEX LOCKNUT FLANGE 1/2-13 W/T&T	6
4	A175	SUPPORT CUP WITH 2 3/4OD TUBE	4

Once the bungee has been looped over all of the canopy cord spool hooks, check each one for adequate tension. The bungee can be pulled through the sewn in pocket so that the tension of the cord over each spool hook can be made even the full length and width of the cover.

Check for tension again. If bungees appear tight, assembly is complete.

If the bungees feel like they need to be tighter, they can be tightened by simply wrapping an additional wrap of the bungee cord around one of the canopy cord spool hooks. It may be tightened more by repeating this process on as many canopy cord spool hooks as needed.

### **CANOPY END HOOD ADJUSTMENT**

Your new canopy frame has adjustable end hood brackets which allow the frame to be adjusted a total of 1-1/2" shorter or 1-1/2" longer from its normal shipped position. This allows you to adjust your frame to fit the cover for length should it need adjusting. The following instructions will assist you in adjusting the frame length.

1. Loosen the nuts on the adjusting bolts located in the end of the side frame tube weldments. Doing so will shorten the overall length of the frame.
2. The frame can be lengthened to fit the cover by tightening the nuts on the bolts in the side frame tube stop weldments just loosened in Step 1. Turn clockwise. As the nut is threaded onto the bolt it will pull the end hood out of the side frame thus increasing the length of the canopy framework. Continue to lengthen the frame until it is the right length to fit the cover.
3. Once the proper length for the frame has been achieved, stop turning the nut.

Adjustment is complete.

### **CANOPY COVER (VINYL) MAINTENANCE**

This canopy contains a mildew retardant. Please follow these recommendations to insure that this agent is not destroyed and that the vinyl will not be damaged.

1. Ordinary oil and dirt can be removed with soapy water such as laundry detergent. Apply with a mop, sponge, brush or cloth followed by a clear-water rinse. Stubborn spots can be removed by using rubbing (Isopropyl) alcohol in a well-ventilated area, away from open flames. **DO NOT USE** gasoline, kerosene, Methyl Ethyl Keytone (**MEK**) or other solvents or bleaches.
2. Remove canopy when hoist is in storage. Make sure canopy is dry before folding and store in a warm, dry location.

### **WARRANTY**

Refer to your **ShoreStation** Owner's Packet for warranty information.