

# ShoreStation Hydraulic Controller

## Introduction

The ShoreStation Hydraulic controller provides direct and wireless control of your ShoreStation lift. The direct operating switch and the wireless transmitter are simple to use and will provide convenient, reliable operation of your lift.

## Safety Instructions

**DO NOT INSTALL OR USE THIS PRODUCT BEFORE YOU FIRST STUDY MANUAL AND UNDERSTAND THE INFORMATION CONTAINED IN IT.**

- Do not operate the product unless you have read and understand all service instructions.
- Never allow children to operate or play around boat lift.
- Never lift your boat with people in it.
- The system is designed to operation ShoreStation hydraulic lifts only.
- The lift system should only be operated when the operator has clear visibility of the entire lift.
- The lift should be used by a qualified boater who can skillfully operate the boat at idle speeds.
- Lock-out the wireless remotes when you are not operating the lift to avoid unintended operation.
- Remove the load from the lift and disconnect the battery from the motor BEFORE removing any guards or shields.

## Specifications

<b>Supply Voltage</b>	12 or 24V DC
<b>Key fob battery</b>	23A 12V (requires 2)
<b>Operation</b>	2 Wireless Key Fobs Direct Operation Switch

Receiver Modes	Function
Mode 1	Lift Up/Down
Mode 2	Accessory Up/Down
Mode 3	Accessory Light 1 On/Off
Mode 4	Accessory Light 2 On/Off
Mode 5	Lift Auto/Up

### Introduction

### Safety Instructions

### Specifications

### Operating Instructions

### Direct Operating Switch

### Wireless Key Fob Operation

### Adjusting the Lift Limit Switch

### Auto-Up Programming Instructions

### Auto-Up Operating Instructions

**Midwest Industries, Inc.**  
122 E State Hwy 175  
PO Box 235  
Ida Grove, IA 51445  
(800) 859-3028  
[www.shorestation.com](http://www.shorestation.com)

## Operating Instructions

Your Hydraulic control system is operated wirelessly by the remote key fobs (Figure 1) or through the direct operating switch mounted on the lift. Two key fobs are included that have been pre-programmed for your system. The wireless key fobs and direct operating switch are designed to provide safe and easy operation of the lift. The wireless key fobs feature an 'auto lock mode' that prevents unintended operation of the lift.



**NEVER LIFT YOUR BOAT WITH PEOPLE IN IT. DOING SO COULD RESULT DEATH OR SERIOUS INJURY!**

### *Direct Operating Switch*

The Direct Operating Switch is operated using the rocker-switch mounted on the side of the control box. Rocking the switch up will cause the lift to go up, rocking down will cause it to go down. The lift will stop in the up motion if the limit switch has been tripped. This avoids running the lift higher than the limit setting. Refer to the Auto-Up programming instructions for limit switch



## Wireless Key Fob Operation

### Step 1 – Unlock the key fob

Lock mode is indicated by all 5 Mode Indicator lights flashing when a button is pressed on the key fob. The key fobs will automatically go into 'lock mode' after 3 minutes. In 'lock mode' the transmitter will not react until it is unlocked. To unlock the key fob, hold both the **Up** and **Down** buttons at the same time for 3 seconds. *The mode indicator light* will flash indicating that the key fob is unlocked and will operate the lift. If no button is pressed for 3 minutes, the key fob will automatically go into lock mode.

### Step 2 – Up and down functions

Press and hold the **Up** button to run the lift up. Press and hold the **Down** button to run the lift down.

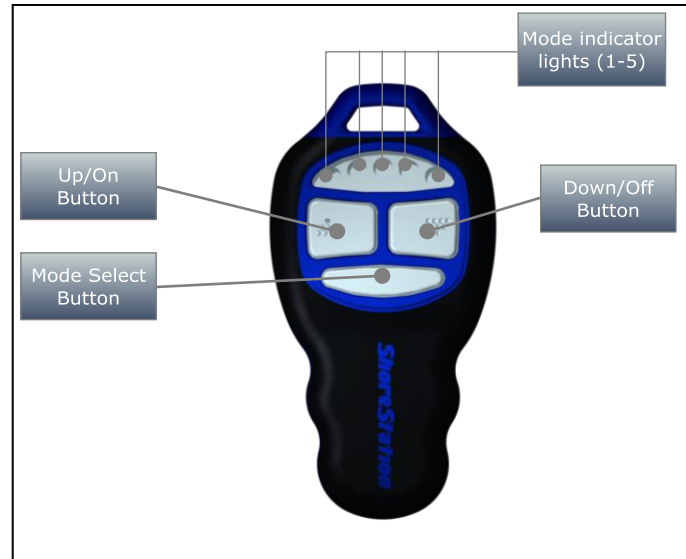


Figure 1 – Key Fob

### Step 3 – Locking the key fob

The key fob will automatically go into lock mode after 3 minutes or you can lock the key fob by holding both the *Up* and *Down* buttons at the same time for 3 seconds. The flashing *mode indicator light* will turn off indicating the key fob is in lock mode.

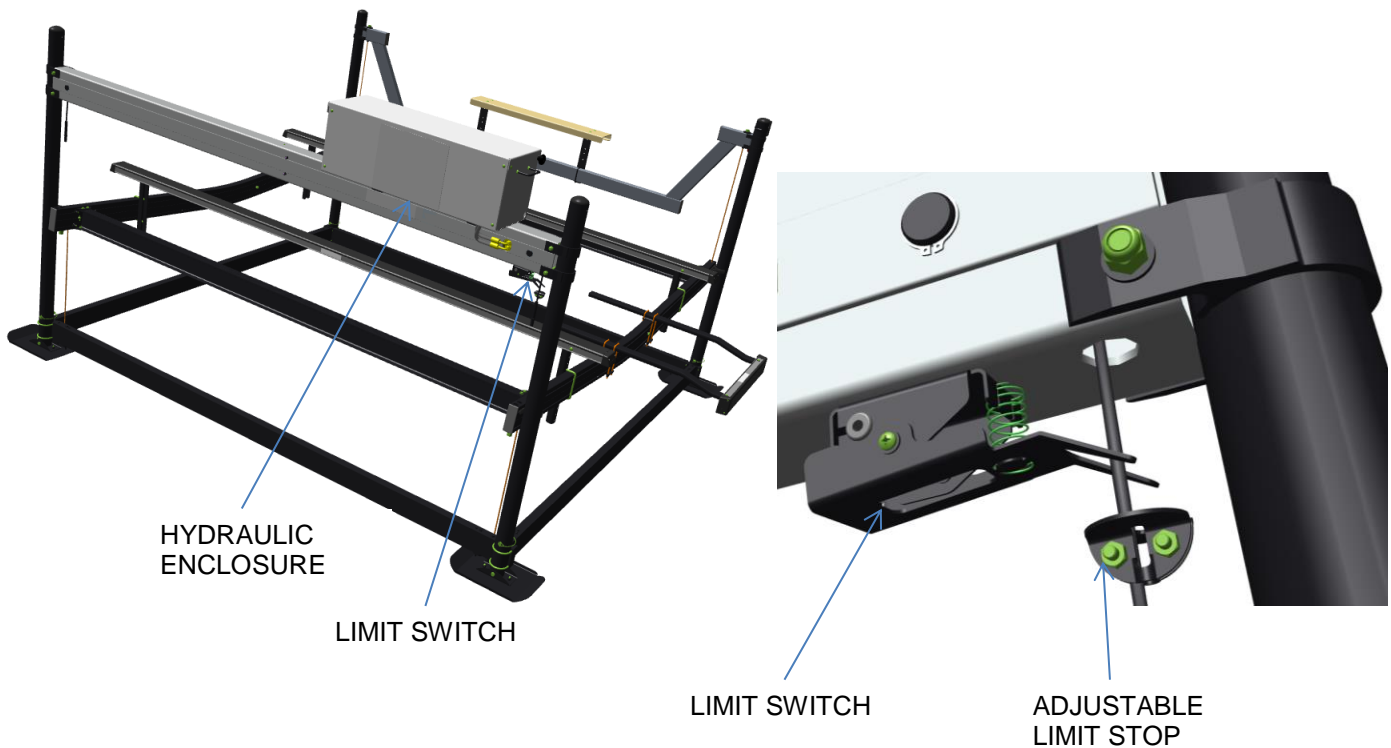
## Changing Modes

Each key fob is capable of controlling different lift functions through the different modes indicated by the *mode indicator lights*. Your system has been pre-programmed to run the lift in mode 1 (the left-most indicator light). Additional accessories and functions can be operated from the key fob by unlocking the mode on the key fob. Refer to the accessory instructions for instructions on unlocking the key fob modes. Mode 5 is reserved for the Auto-Up function of your hydraulic lift. Refer to the the Auto-Up Programming Instructions in this manual for information on the Auto-Up function.

To change modes, simply press the mode **SELECT** button. Each press of the mode SELECT button will move to the next mode indicated by the blinking red light.

## Adjusting the Lift Limit Switch

Your ShoreStation hydraulic lift is equipped with an external limit switch. This limit switch is located below the hydraulic enclosure on the bottom side of the lift tube. An adjustable limit stop is attached to the lift cable. This stop can be adjusted up and down the cable to adjust the stop height of the lift. The stop height adjustment should be adjusted to ensure your boat does not contact your canopy frame (if installed) and is sufficiently out of the water. The stop must be at least 3 inches from the top of the platform to ensure the system switches off before it reaches its maximum travel.



# Auto-Up Programming Instructions

The auto-up feature on ShoreStation Hydraulic hoists is a feature that will raise the lift platform and stop automatically without the need to press and hold the up button. To use this feature, your remote will need to have mode 5 enabled. Your lift limit switch must be adjusted and tested before enabling this feature.

## Step 1 – Adjust the lift limits

Test the limit system before enabling the auto-up! To test, run the lift up in mode 1 until the limit is tripped. The motor will turn off if the limit is operated properly. If the motor does not turn off, you may not have the limit adjusted correctly.



Figure 2 - Key fob in mode 1

## Step 2 – Unlock you key-fob

After you have verified that your limit settings are operating correctly, you are ready to enable the auto-up feature on your key fob. Start by unlocking your key-fob by pressing and holding the **UP/ON** and **DOWN/OFF** buttons at the same time until the Mode 1 light flashes

## Step 3 – Enable Mode 5

Press and hold the mode **SELECT** button for about ten seconds until the flashing light stays on constantly (not flashing).

Press and release **SELECT** until the Mode 5 Light is on (Figure 4). Press the **UP/ON** button. After pressing the UP/ON button, both the Mode 1 and Mode 5 lights will be on, indicating that the two modes are now enabled. Wait a few seconds and the Key Fob will go back to mode 1 (flashing mode 1 light).

Test the key fob: press and release the **SELECT** button. The model indicator light should switch to mode 5 (Figure 4). Press and release the **SELECT** button again to return to mode one.

**Your key fob is now ready to operate the Auto-Up feature of the lift.**



Figure 3 - Key fob in mode 5

## Auto-Up Operating Instructions



**DO NOT ENABLE THE AUTO-UP FEATURE BEFORE TESTING LIFT LIMITS IN THE 'AUTO-UP PROGRAMMING INSTRUCTIONS'. FAILURE TO DO SO COULD RESULT IN DAMAGE TO THE LIFT AND/OR BOAT!**

**NEVER LIFT YOU BOAT WITH PEOPLE IN IT. FAILURE TO DO SO COULD RESULT DEATH OR SERIOUS INJURY!**

The Auto-up feature will cause your lift to raise the lift platform until it reaches the top limit setting. This feature is fully automatic. It will also automatically raise the boat back to the limit if the system 'creeps' down during a long unused period. The following steps explain how to initiate Auto-Up from your remote. These steps should only be performed after the instructions in the AUTO-UP PROGRAMMING INSTRUCTIONS have been completed

**To stop auto-up operation at any time, press any button on the remote key fob while in either mode 1 or 5.**

The instructions below assume have your boat is properly positioned in the lift and there are no passengers in the boat or near the lift.



Figure 4 – Key fob in Mode 1

### Step 1 – Unlock the key fob

The key fobs will automatically go into 'lock mode' after 3 minutes. In 'lock mode' the transmitter will not react until it is unlocked. To unlock the key fob, hold both the **Up** and **Down** buttons at the same time for 3 seconds. *The mode indicator light* will flash indicating that the key fob is unlocked and will operate the lift. If no button is press for 3 minutes, the key fob will automatically go into lock mode.



Figure 5 – Key fob in Mode 5

### Step 2 – Switch to Mode 5

Press and release the Mode **Select** button to change the key fob mode. Switch the remote key fob to Mode 5. The flashing light should be on the right-most position (Figure 6)

### Step 3 – Auto-Up Operation

Press and release the **Up** button to turn on the Auto-Up feature. **You can stop the auto feature any time by pressing any button on the key fob.**

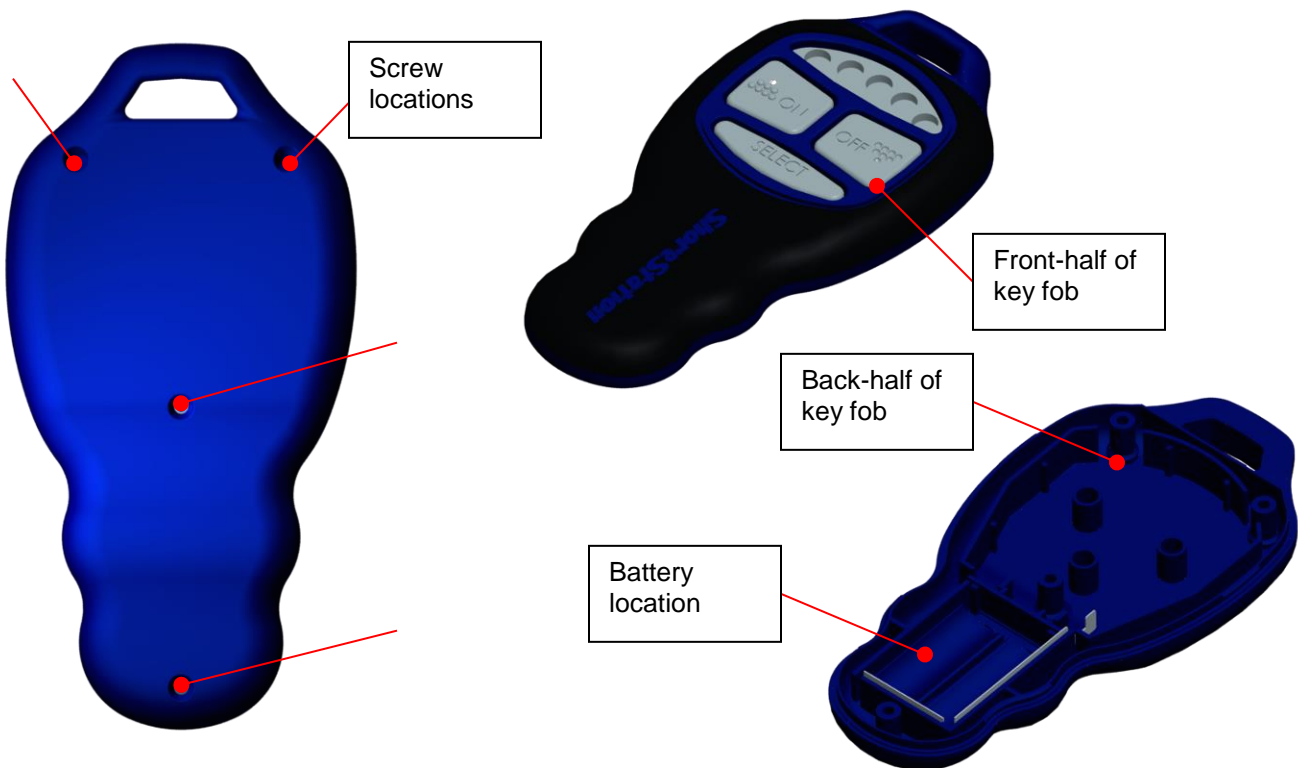
Your lift will raise and stop automatically at the top limit. Auto-up will be turned off automatically the next time you run your lift in Mode 1.

## Care of your Product

### Battery Replacement

Your wireless key fob is powered by two 23A 12V batteries. If your key fob becomes un-responsive the batteries should be changed. Under normal use, the key fob batteries should last 2 years.

To change the batteries, remove the 4 screws from the back of the transmitter using a small screwdriver. Carefully remove the front of the fob exposing the two batteries. Replace both batteries with two of the same brand and age. Reassemble the key fob by carefully placing the two halves together. Make sure the grey colored gland in the front half stays in place during assembly. Reassemble all four screws.



## Replacement Key Fobs

Replacement key fobs are available from your ShoreStation dealers if your key fob becomes lost or damaged. Replacement fobs require programming to work with your existing ShoreStation wireless controller.

### Step 1 – Open the hydraulic enclosure

Open the hydraulic enclosure (Figure 7 - Hydraulic Enclosure).

### Step 2 – Unlock the key fob

Press and hold up and down buttons on the new key fob until the mode one light blinks.

### Step 3 – Set the receiver into ‘program mode’

Press and hold the programming button located next to the manual operating switch on the receiver (Figure 9) until it beeps once.

### Step 4 – Program the key fob

Press the **UP/ON** button on the new key fob. The receiver should beep again indicating that the new fob is now programmed to work with the system. Repeat this step for any other key fobs (up to five). The receiver will beep twice when it has reached its maximum number of slots available.



Figure 7 – Key fob in Mode 1

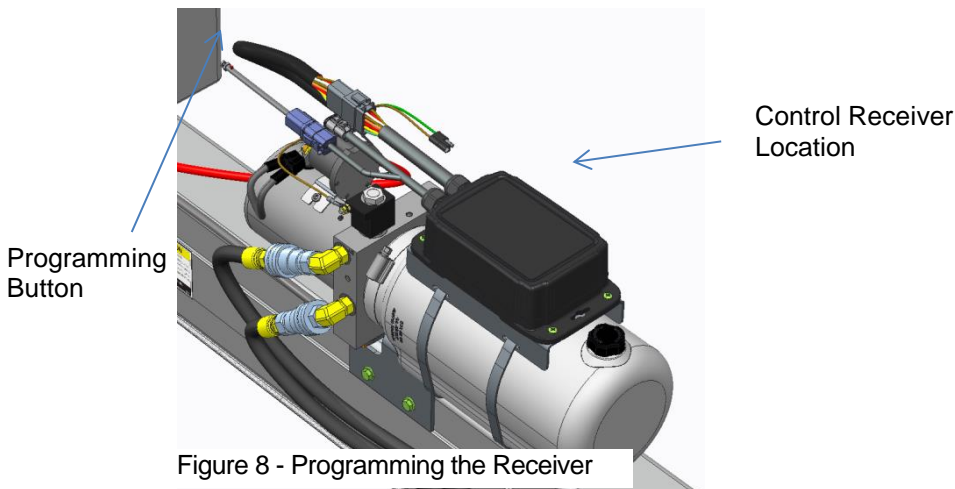


Figure 8 - Programming the Receiver



## Troubleshooting

Problem	Possible Issue	Possible Resolution
Lift does not turn on	Dead Battery	Check the lift battery with a battery tester.
	Disconnected battery	Check all battery connections to make sure all connections are tight.
	Locked key fob	The 5 mode lights will flash when a button is pressed if the key fob is locked. If it is locked, refer to the 'Unlocking Key Fob' instructions to unlock.
	Dead key fob battery	The key fob batteries may be discharged. If no lights flash on the remote when a button is pressed, try a different key fob or replace the key fob batteries.
	Fob needs programming	Make sure the remote key fob is programmed for the receiver. Refer to the <i>Replacement Key Fob</i> instructions.
Lift runs slowly	Overloaded lift	Make sure your load is within the rated capacity of the lift.
	Low battery	The lift battery may be low or unable to charge sufficiently. Charge or replace the lift battery
	Bound lift	Make sure the lift platform can move up and down freely. Refer to the assembly instructions for the lift for proper guide ring adjustment. Make sure the lift is level
Lift runs down, but not up	Stuck or faulty limit switch	The lift will not run up if the top limit switch is unplugged or stuck open. Check your limit switch connections and make sure it is operating correctly.
Lift runs up, but not down	Faulty reversing valve	Contact your ShoreStation dealer for instructions on diagnosing and replacing a faulty hydraulic reversing valve.

If the problems stated above do not describe the issues you are experiencing, contact your ShoreStation dealer.